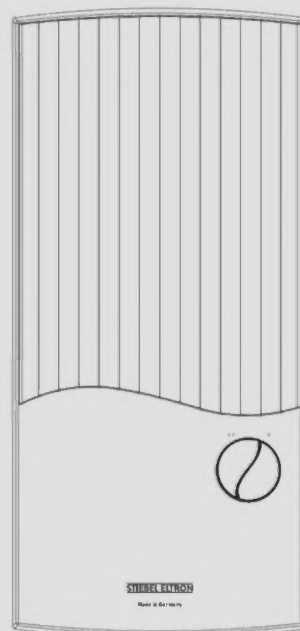


OPERATION AND INSTALLATION  
OBSLUHA A INSTALACE  
OBSŁUGA I INSTALACJA  
PËRDORIMI DHE INSTALIMI  
РАКУВАЊЕ И ИНСТАЛАЦИЈА  
ОБСЛУЖВАНЕ И ИНСТАЛИРАНЕ  
ЭКСПЛУАТАЦИЈА И УСТАНОВКА  
الاستعمال والتركيب

Hydraulically controlled comfort instantaneous water heater | Komfortní hydraulicky řízený průtokový ohřivač | Hydraulicznie sterowany komfortowy przepływowy ogrzewacz wody | Nxehtësi komod i rrjedhjes i komanduar nga sistemi hidraulik | Хидраулично управуван удобен проточен бојлер | Хидравлично контролиран комфортен проточен бойлер | Проточный водонагреватель повышенной комфортности с гидравлическим управлением | سخان المياه الفوري المريح ذو التحكم الهيدروليكي

- » PHB 13
- » PHB 18
- » PHB 21
- » PHB 24



**STIEBEL ELTRON**

**SPECIAL INFORMATION**

**OPERATION**

<b>1. General information</b>	<b>3</b>
1.1 Safety instructions	3
1.2 Other symbols in this documentation	3
1.3 Units of measurement	3
<b>2. Safety</b>	<b>3</b>
2.1 Intended use	3
2.2 General safety instructions	3
2.3 Test symbols	4
<b>3. Appliance description</b>	<b>4</b>
<b>4. Settings</b>	<b>4</b>
4.1 Recommended tap/valve settings	4
<b>5. Cleaning, care and maintenance</b>	<b>4</b>
<b>6. Troubleshooting</b>	<b>5</b>

**INSTALLATION**

<b>7. Safety</b>	<b>5</b>
7.1 General safety instructions	5
7.2 Instructions, standards and regulations	5
<b>8. Appliance description</b>	<b>5</b>
8.1 Standard delivery	5
<b>9. Preparation</b>	<b>6</b>
9.1 Installation location	6
9.2 Water installation	6
<b>10. Installation</b>	<b>7</b>
10.1 Standard installation	7
10.2 Alternative installation methods	9
10.3 Completing the installation	10
<b>11. Commissioning</b>	<b>11</b>
11.1 Initial start-up	11
11.2 Recommissioning	11
<b>12. Appliance shutdown</b>	<b>11</b>
<b>13. Troubleshooting</b>	<b>11</b>
<b>14. Maintenance</b>	<b>12</b>
<b>15. Specification</b>	<b>12</b>
15.1 Dimensions and connections	12
15.2 Wiring diagram	13
15.3 DHW output	13
15.4 Application areas / Conversion table	14
15.5 Pressure drop	14
15.6 Fault conditions	14
15.7 Energy consumption data	14
15.8 Data table	15

**GUARANTEE**

**ENVIRONMENT AND RECYCLING**

# SPECIAL INFORMATION

- The appliance may be used by children aged 3 and up and persons with reduced physical, sensory or mental capabilities or a lack of experience and know-how, provided that they are supervised or they have been instructed on how to use the appliance safely and have understood the resulting risks. Children must never play with the appliance. Children must never clean the appliance or perform user maintenance unless they are supervised.
- During operation, the tap can reach temperatures in excess of 60 °C. There is a risk of scalding at outlet temperatures in excess of 43 °C.
- The appliance is not suitable for supplying a shower (shower operation).
- Ensure the appliance can be separated from the power supply by an isolator that disconnects all poles with at least 3 mm contact separation.
- The specified voltage must match the mains voltage.
- The appliance must be connected to the earth conductor.
- The appliance must be permanently connected to fixed wiring.
- Secure the appliance as described in chapter "Installation / Installation".
- Observe the maximum permissible pressure (see chapter "Installation / Specification / Data table").
- The specific water resistivity of the mains water supply must not be undershot (see chapter "Installation / Specification / Data table").
- Drain the appliance as described in chapter "Installation / Maintenance / Draining the appliance".

# OPERATION

## 1. General information

The chapters "Special information" and "Operation" are intended for both users and qualified contractors.

The chapter "Installation" is intended for qualified contractors.



**Note**

Read these instructions carefully before using the appliance and retain them for future reference. Pass on the instructions to a new user if required.

### 1.1 Safety instructions

#### 1.1.1 Structure of safety instructions



**KEYWORD Type of risk**

Here, possible consequences are listed that may result from failure to observe the safety instructions.

► Steps to prevent the risk are listed.

#### 1.1.2 Symbols, type of risk

Symbol	Type of risk
	Injury
	Electrocution
	Burns (burns, scalding)

#### 1.1.3 Keywords

KEYWORD	Meaning
DANGER	Failure to observe this information will result in serious injury or death.
WARNING	Failure to observe this information may result in serious injury or death.
CAUTION	Failure to observe this information may result in non-serious or minor injury.

### 1.2 Other symbols in this documentation



**Note**

General information is identified by the adjacent symbol. ► Read these texts carefully.

Symbol	Meaning
	Material losses (appliance damage, consequential losses and environmental pollution)
	Appliance disposal

► This symbol indicates that you have to do something. The action you need to take is described step by step.

### 1.3 Units of measurement



**Note**

All measurements are given in mm unless stated otherwise.

## 2. Safety

### 2.1 Intended use

The appliance is intended for domestic use. It can be used safely by untrained persons. The appliance can also be used in non-domestic environments, e.g. in small businesses, as long as it is used in the same way.

This pressure appliance is designed to heat DHW. The appliance can supply one or more draw-off points.

Any other use beyond that described shall be deemed inappropriate. Observation of these instructions and of the instructions for any accessories used is also part of the correct use of this appliance.



**Note**

This appliance is not approved for reheating preheated water.

### 2.2 General safety instructions



**CAUTION Burns**

During operation, the tap can reach temperatures in excess of 60 °C. There is a risk of scalding at outlet temperatures in excess of 43 °C.



**WARNING Injury**

The appliance may be used by children aged 3 and up and persons with reduced physical, sensory or mental capabilities or a lack of experience and know-how, provided that they are supervised or they have been instructed on how to use the appliance safely and have understood the resulting risks. Children must never play with the appliance. Children must never clean the appliance or perform user maintenance unless they are supervised.



**Material losses**

The user should protect the appliance and its tap against frost.

# Appliance description

## 2.3 Test symbols

See type plate on the appliance.

## 3. Appliance description

The hydraulically controlled instantaneous water heater heats the water as it flows through the appliance. The heating output starts automatically as soon as a tap is opened and the starting flow rate is exceeded (see chapter "Specification / Data table"). The water volume and temperature can be adjusted at the tap.

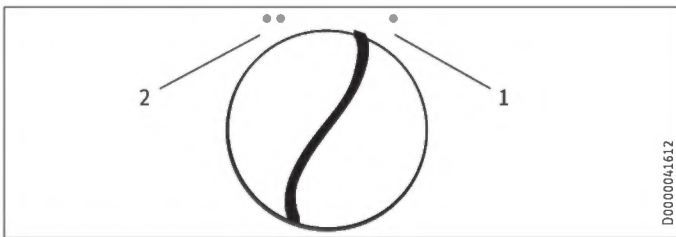
You can choose between 2 output stages. Two further output stages are hydraulically controlled in relation to the flow rate.

The flow rate controller compensates for pressure fluctuations, thereby ensuring largely stable temperatures. The controller limits the throughput, thereby ensuring an adequate increase in the DHW temperature at all times.

### Heating system

The bare wire heating system has a pressure-tested plastic casing. The heating system is suitable for hard and soft water areas and is largely insusceptible to scale build-up. This heating system ensures rapid and efficient DHW availability.

## 4. Settings



- 1 Partial load  
At low throughput 1/3 of the heating output is activated; at higher throughput 2/3 of the available heating output is enabled. This setting is suitable for hand washing at a basin, for example.
  - 2 Full load  
At a low throughput, 1/2 of the heating output is applied; at a higher throughput the full heating output is activated. This setting is suitable for washing dishes, for example.
- ▶ Click the output selector into the required position.

### Recommended settings when using a thermostatic valve

- ▶ Set the output selector to full power.

## 4.1 Recommended tap/valve settings



### Note

If the outlet temperature is not sufficiently high at full load and with the draw-off valve fully open, then more water is flowing through the appliance than can be heated by the heating system (appliance is at its output limit).

- ▶ Reduce the water volume at the draw-off valve.

Low draw-off rate = high outlet temperature

High draw-off rate = low outlet temperature

### Twin lever tap

Output stage	Application range
Partial load	Washbasin
Full load	Bath, sink

- ▶ Add cold water if the temperature is too high when the tap is fully open.

### Mono lever mixer

Output stage	Application range
Full load	All

- ▶ Turn the tap lever to the highest temperature.
- ▶ Fully open the tap.
- ▶ Increase the outlet temperature by closing the tap slowly.
- ▶ Reduce the outlet temperature by adding cold water or opening the tap further, if possible.

### Following an interruption to the water supply



### Material losses

Following an interruption of the water supply the appliance must be recommissioned by carrying out the following steps, in order to prevent the destruction of the bare wire heating system.

- ▶ Disconnect the appliance from the power supply by removing the fuses/tripping the MCBs.
- ▶ Open the tap for one minute until the appliance and its upstream cold water inlet line are free of air.
- ▶ Switch the mains power back on again.

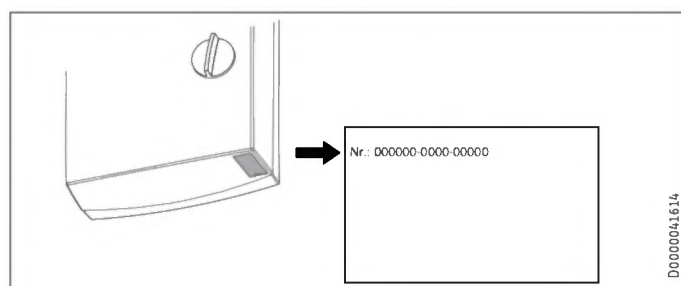
## 5. Cleaning, care and maintenance

- ▶ Never use abrasive or corrosive cleaning agents. A damp cloth is sufficient for cleaning the appliance.
- ▶ Check the taps regularly. Limescale deposits at the tap outlets can be removed using commercially available descaling agents.

## 6. Troubleshooting

Problem	Cause	Remedy
The appliance will not start despite the DHW valve being fully open.	There is no power.	Check the fuses/MCBs in your fuse box/distribution board.
	The flow rate is too low for switching on the heating output. The aerator in the tap.	Clean and/or descale the aerator.

If you cannot remedy the fault, notify your qualified contractor. To facilitate and speed up your enquiry, please provide the serial number from the type plate (000000-0000-00000):



## INSTALLATION

### 7. Safety

Only a qualified contractor should carry out installation, commissioning, maintenance and repair of the appliance.

#### 7.1 General safety instructions

We guarantee trouble-free function and operational reliability only if original accessories and spare parts intended for the appliance are used.



#### Material losses

Observe the maximum inlet temperature. Higher temperatures may damage the appliance. You can limit the maximum inlet temperature by installing a central thermostatic valve.

#### 7.2 Instructions, standards and regulations



#### Note

Observe all applicable national and regional regulations and instructions.

- The IP 25 (hoseproof) rating can only be ensured with a correctly fitted cable grommet.
- The specific electrical resistivity of the water must not fall below that stated on the type plate. In a linked water network, observe the lowest electrical water resistivity (see chapter "Specification / Application areas / Conversion table"). Your water supply utility will advise you of the specific electrical water resistivity or conductivity.

## 8. Appliance description

### 8.1 Standard delivery

The following are delivered with the appliance:

- Wall mounting bracket
- Threaded stud for wall mounting
- Installation template
- 2 twin connectors (cold water with shut-off valve)
- Flat gaskets
- Cable grommet (power cable from above / below)
- Screws / rawl plugs for securing the back panel to allow for water connection on finished walls

For appliance replacement:

- 2 tap extensions

### 9. Preparation

#### 9.1 Installation location



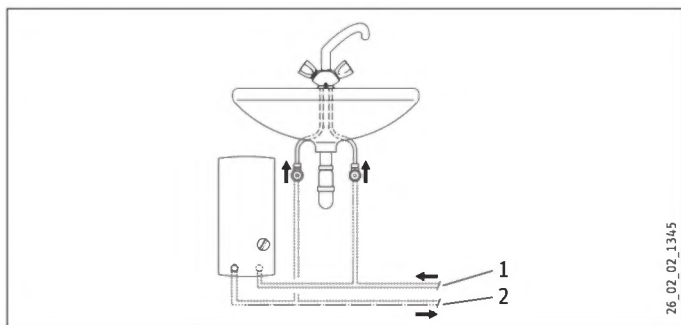
##### Material losses

Install the appliance in a room free from the risk of frost.

- ▶ Always install the appliance vertically and near the draw-off point.

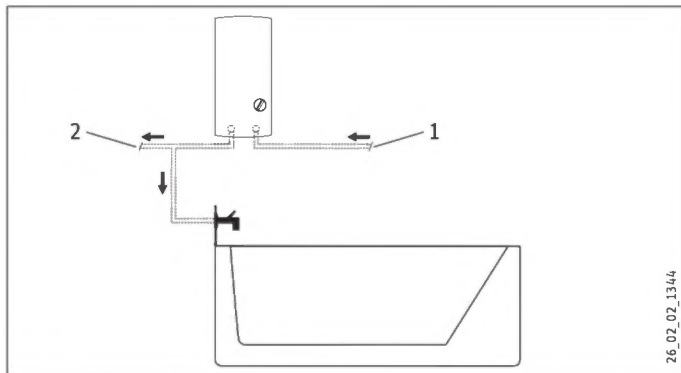
The appliance is suitable for undersink and oversink installation.

##### Undersink installation



- 1 Cold water inlet
- 2 DHW outlet

##### Oversink installation



- 1 Cold water inlet
- 2 DHW outlet



##### Note

- ▶ Mount the appliance on the wall. The wall must have sufficient load bearing capacity.

#### 9.2 Water installation

- Never operate with preheated water.
- No safety valve is required.
- Safety valves are not permissible in the DHW pipe.
- ▶ Flush the water line thoroughly.
- ▶ Ensure that the flow rate for switching on the appliance is achieved (see chapter "Specification / Data table", On). Increase the mains water pressure if the required flow rate is not achieved with the draw-off valve fully opened.

##### Taps

Use appropriate pressure taps. Open vented taps are not permissible.

Thermostatic pressure valves must be suitable for hydraulically controlled instantaneous water heaters.



##### Note

Never use the shut-off valve in the cold water inlet to reduce the flow rate. It is intended for shutting off the appliance.

##### Permissible water line materials

- Cold water inlet pipe:  
Pipes made from galvanised steel, stainless steel, copper or plastic
- DHW outlet line:  
Pipes made from stainless steel, copper or plastic



##### Material losses

If plastic pipework systems are used, take into account the maximum inlet temperature and the maximum pressure (see chapter "Specification / Data table").

##### Flexible water connection lines

- ▶ If the appliance is installed with flexible water connection lines, ensure that the pipe bends with bayonet fittings do not become twisted inside the appliance.
- ▶ Secure the back panel at the bottom with two additional screws.

### 10. Installation

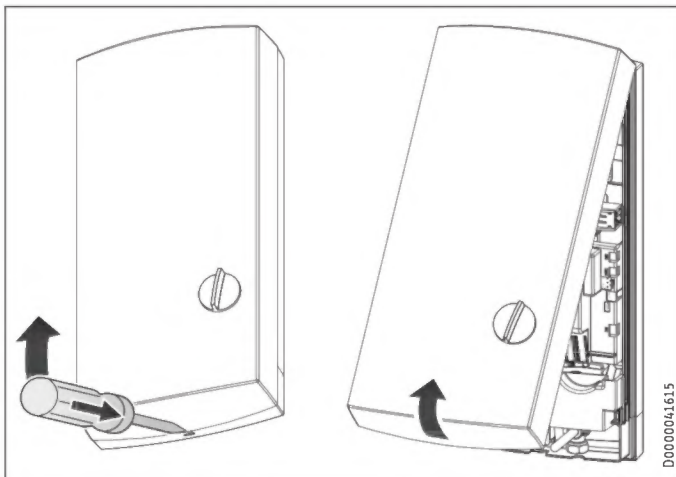
#### 10.1 Standard installation

- Electrical connection from above; installation on unfinished walls
- Water connection on unfinished walls

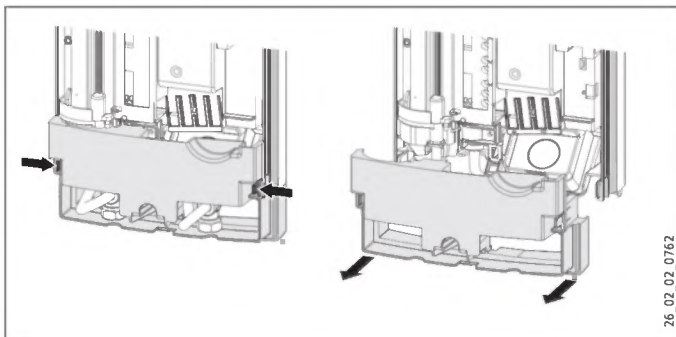
For further installation options, see chapter "Alternative installation methods":

- Electrical connection from below on unfinished walls
- Electrical connection on finished walls
- Connecting a load shedding relay
- Water installation on finished walls
- Water connection on unfinished walls for appliance replacement

#### Opening the appliance

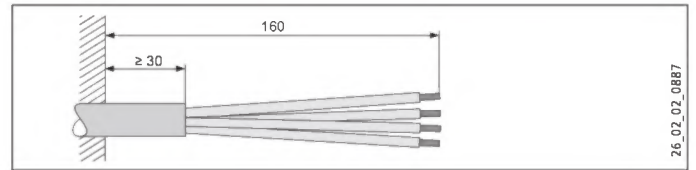


- ▶ Open the appliance by releasing the snap lock.

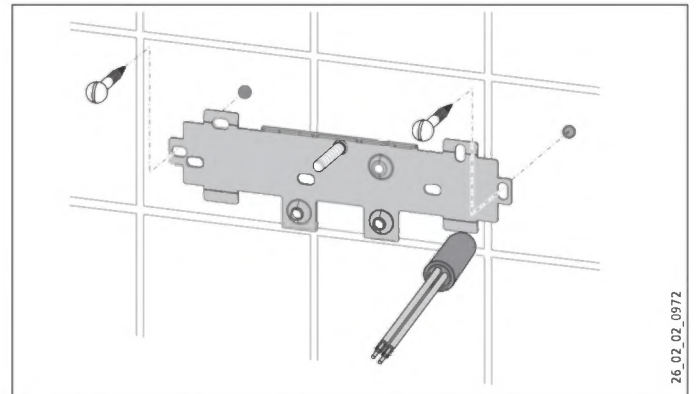


- ▶ Remove the back panel by pressing the two locking tabs and pulling the lower section of the back panel forwards.

#### Preparing the power cable

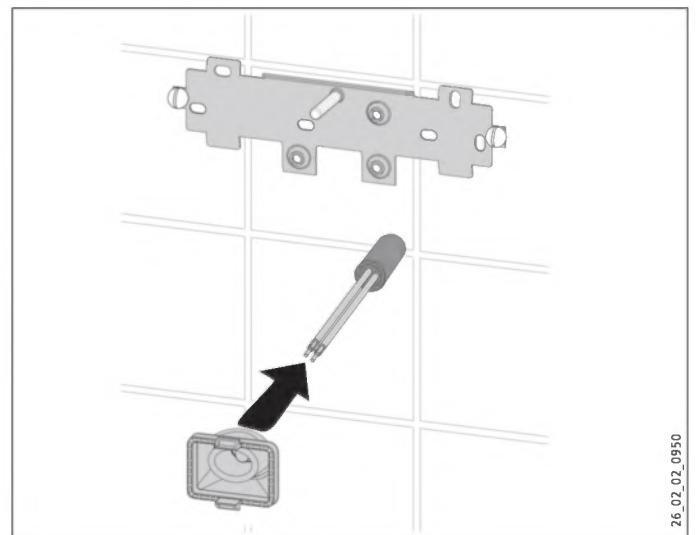


#### Fitting the wall mounting bracket



- ▶ Mark out the holes for drilling using the installation template. If the appliance is to be installed with water connections on finished walls, also mark out the fixing holes in the lower part of the template.
- ▶ Drill the holes and secure the wall mounting bracket with 2 screws and 2 rawl plugs (screws and rawl plugs are not part of the standard delivery).
- ▶ Fit the threaded stud provided.
- ▶ Fit the wall mounting bracket.

#### Fitting the cable grommet



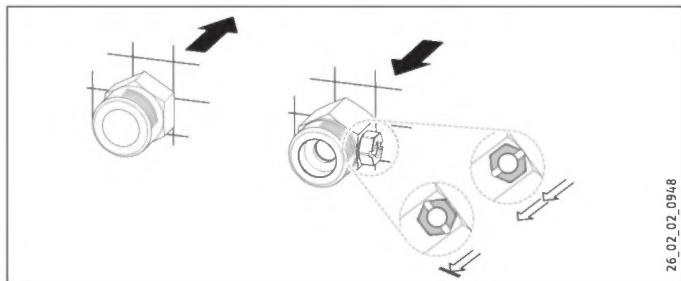
- ▶ Fit the cable grommet. For connecting cables  $> 6 \text{ mm}^2$ , enlarge the hole in the cable grommet.

# INSTALLATION

## Installation

### Making the water connection

- ! **Material losses**  
Carry out all water connection and installation work in accordance with regulations.

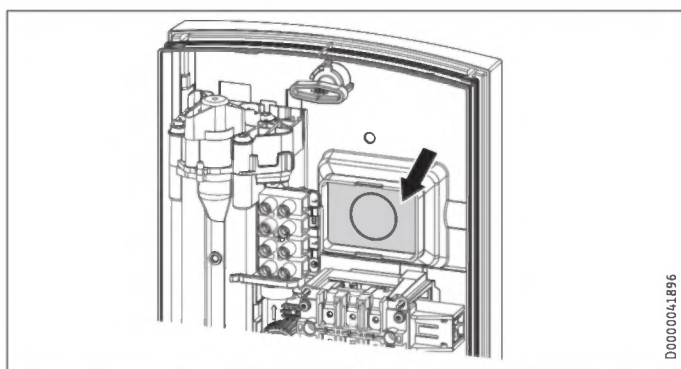


- ▶ Seal and insert the twin connectors.

- ! **Material losses**  
Never use the shut-off valve in the cold water inlet to reduce the flow rate.

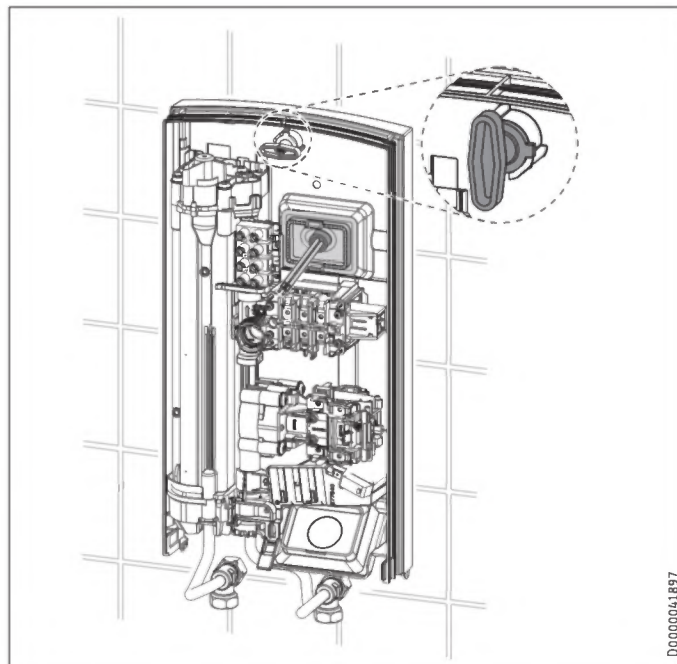
### Preparing the back panel

- ! **Material losses**  
If you break open the wrong knock-out in the back panel by mistake, you must use a new back panel.

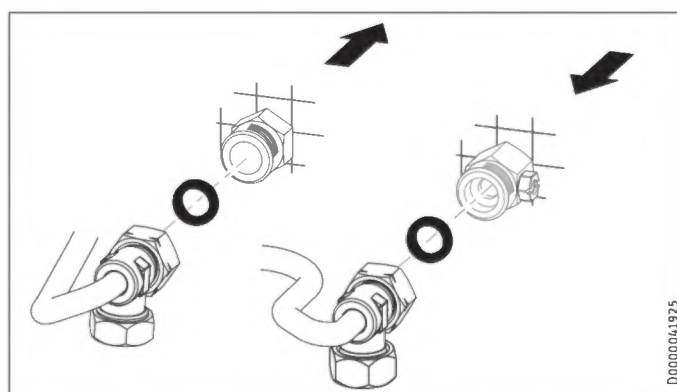


- ▶ Break out the cable grommet knock-out in the back panel. Deburr any sharp edges with a file if necessary.

### Installing the appliance



- ▶ Push the back panel over the threaded stud and the cable grommet. Pull the cable grommet by the locking hooks into the back panel using pliers, until both locking hooks audibly click into place.
- ▶ Remove the protective transport plugs from the water connections.
- ▶ Press the back panel firmly into place and lock the fixing toggle by turning it clockwise through 90°.



- ▶ Screw the water connection pipes with flat gaskets onto the twin connectors.

- ! **Material losses**  
The strainer must be fitted for the appliance to function.
  - ▶ When replacing an appliance, check whether the strainer is installed (see chapter "Maintenance").

# INSTALLATION

## Installation

### Making the electrical connection



**WARNING Electrocutation**  
Carry out all electrical connection and installation work in accordance with relevant regulations.



**WARNING Electrocutation**  
The connection to the power supply must be in the form of a permanent connection in conjunction with the removable cable grommet. Ensure the appliance can be separated from the power supply by an isolator that disconnects all poles with at least 3 mm contact separation.



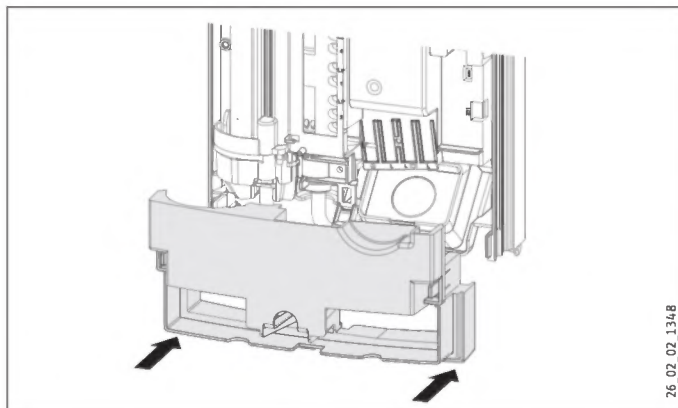
**WARNING Electrocutation**  
Ensure that the appliance is earthed.



**Material losses**  
Observe the type plate. The specified voltage must match the mains voltage.

- ▶ Connect the power cable to the mains terminal (see chapter "Specification / Wiring diagram").

### Fitting the base part of the back panel

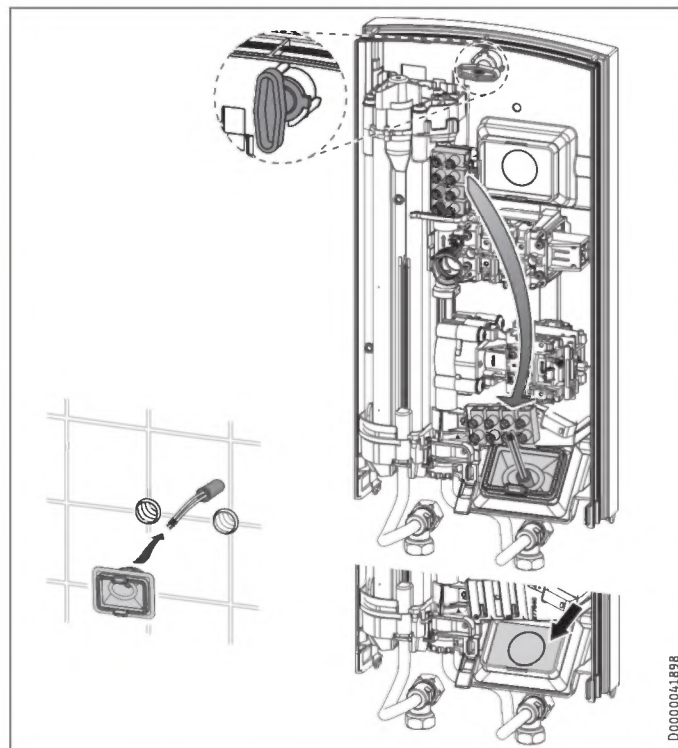


- ▶ Position the lower back panel on the main back panel and click it into place.
- ▶ Align the mounted appliance by undoing the fixing toggle, aligning the power supply and back panel, and then re-tightening the fixing toggle. If the back panel is not flush with the wall, the appliance can be secured at the bottom with two additional screws.

26\_02\_02\_1348

## 10.2 Alternative installation methods

### 10.2.1 Electrical connection from below on unfinished walls



D0000041898

- ▶ Fit the cable grommet.



**Material losses**  
If you break open the wrong knock-out in the back panel by mistake, you must use a new back panel.

- ▶ Break out the cable grommet knock-out in the back panel. Deburr any sharp edges with a file if necessary.
- ▶ Reposition the mains terminal in the appliance from the top to the bottom.
- ▶ Push the back panel over the threaded stud and the cable grommet. Pull the cable grommet by the locking hooks into the back panel using pliers, until both locking hooks audibly click into place.
- ▶ Press the back panel firmly into place and lock the fixing toggle by turning it clockwise through 90°.

# INSTALLATION

## Installation

### 10.2.2 Electrical connection on finished walls



#### Note

This type of connection changes the IP rating of the appliance.

- ▶ Change the type plate. Cross out "IP 25" and mark the box "IP 24". Use a ballpoint pen to do this.



#### Material losses

If you break open the wrong knock-out in the back panel by mistake, you must use a new back panel.

- ▶ Cleanly cut or break out the required cable entries in the back panel (for positions, see chapter "Specification / Dimensions and connections"). Deburr any sharp edges with a file if necessary.
- ▶ Route the power cable through the cable grommet and connect it to the mains terminal.

### 10.2.3 Connecting a load shedding relay

When operating additional electric appliances, such as electric storage heaters, install a load shedding relay in the distribution board. The relay responds when the instantaneous water heater starts.



#### Material losses

Connect the phase that switches the load shedding relay to the indicated terminal of the mains terminal in the appliance (see chapter "Specification / Wiring diagram").

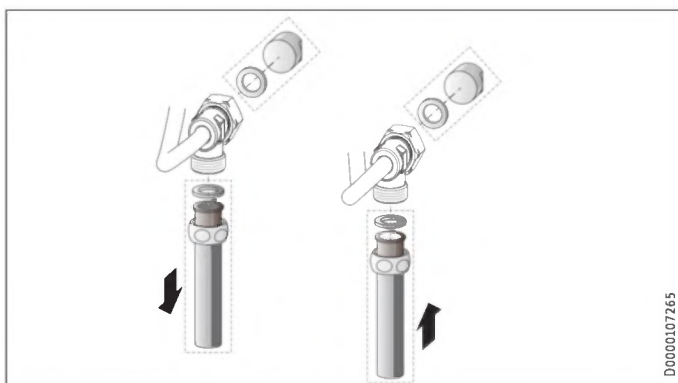
### 10.2.4 Water installation on finished walls



#### Note

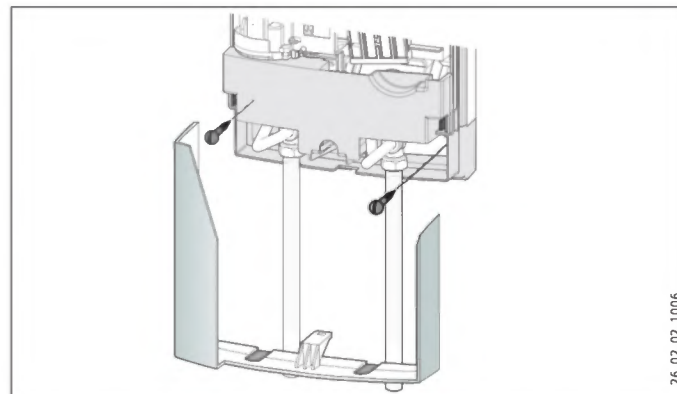
This type of connection changes the IP rating of the appliance.

- ▶ Change the type plate. Cross out "IP 25" and mark the box "IP 24". Use a ballpoint pen to do this.



D0000107265

- ▶ Fit water plugs with gaskets to seal the concealed connections.
- ▶ Fit a suitable pressure tap.



26\_02\_02\_1006

- ▶ Secure the back panel at the bottom with two additional screws.
- ▶ Slide the lower back panel under the connection pipes of the tap and click the lower back panel into place.
- ▶ Secure the connection pipes to the appliance.



#### Material losses

If you break open the wrong knock-out in the appliance cover by mistake, you must use a new appliance cover.

- ▶ Cleanly break out the knock-outs in the appliance cover. Deburr any sharp edges with a file if necessary.

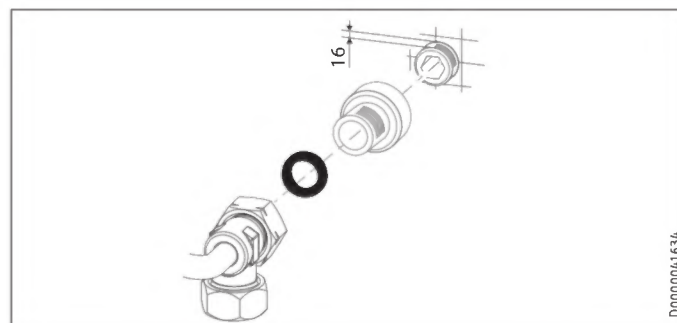
### 10.2.5 Water installation on unfinished walls for appliance replacement

If the existing twin connectors of the old appliance only protrude from the wall by approx. 16 mm, you cannot use the twin connectors provided.



#### Note

With this connection, the cold water supply can only be shut off within the domestic installation.



D0000041634

- ▶ Seal and fit the screw-in tap extensions provided.
- ▶ Connect the appliance.

### 10.3 Completing the installation

- ▶ Open the shut-off valve in the twin connector or the cold water inlet line.

# INSTALLATION

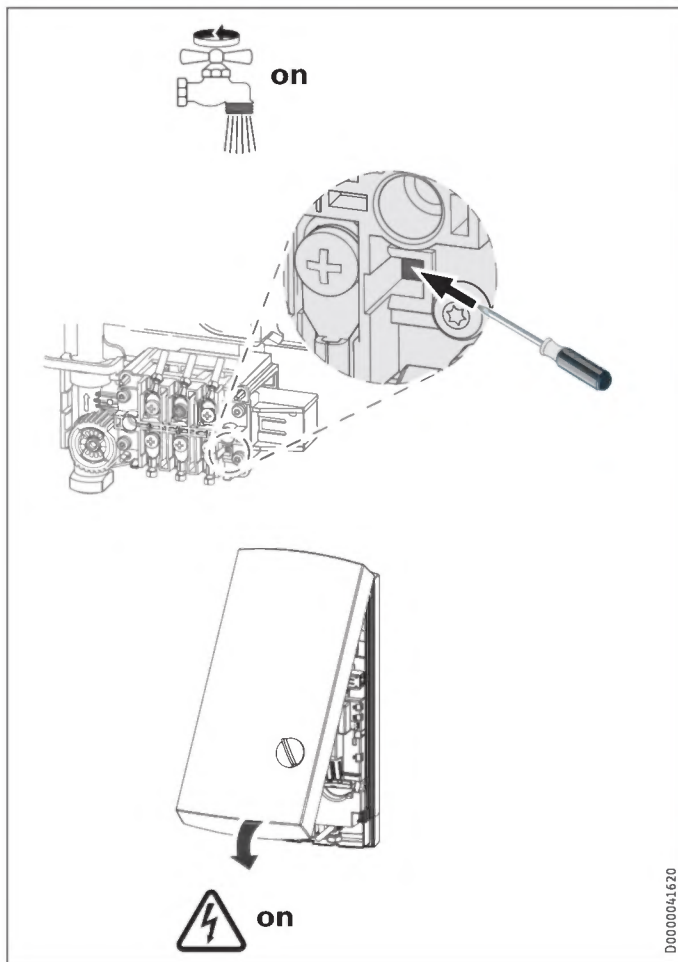
## Commissioning

### 11. Commissioning



**WARNING Electrocutation**  
Commissioning must only be carried out by a qualified contractor in accordance with safety regulations.

#### 11.1 Initial start-up



- ▶ Open and close all connected draw-off valves several times, until all air has been purged from the pipework and the appliance.
- ▶ Carry out a tightness check.
- ▶ Activate the safety pressure limiter by firmly pressing the reset button (the appliance is delivered with the safety pressure limiter deactivated).
- ▶ Fit the appliance cover, ensuring it clicks into place. Check that the appliance cover is seated correctly.
- ▶ Switch the power supply ON.
- ▶ Check the appliance function.

#### Appliance handover

- ▶ Explain the appliance function to users and familiarise them with how it works.
- ▶ Make the user aware of potential dangers, especially the risk of scalding.
- ▶ Hand over these instructions.

#### 11.2 Recommissioning

Vent the appliance and the cold water inlet line (see chapter "Settings").

See chapter "Initial start-up".

### 12. Appliance shutdown

- ▶ Isolate all poles of the appliance from the power supply.
- ▶ Drain the appliance (see chapter "Maintenance").

### 13. Troubleshooting

Fault	Cause	Remedy
The flow rate is too low.	The strainer in the appliance is dirty.	Clean the strainer.
Flow meter will not start despite tap being fully opened.	The start-up volume required to start up the heating output has not been reached.	Clean the strainer.
The appliance is not generating hot water despite audible start-up of the differential pressure switch.	Safety pressure limiter (AP 3) has switched the appliance off for safety reasons.	Remove the cause of the fault (e.g. faulty pressure flush).  Protect the heating system against overheating by opening a draw-off valve downstream of the appliance for one minute. This depressurises and cools down the heating system.  Activate the safety pressure limiter at flow pressure by pressing the reset button (see chapter "Commissioning").
	The heating system is faulty.	Check the heating system resistor and replace if required.

### 14. Maintenance



**WARNING Electrocutation**  
Before any work on the appliance, disconnect all poles from the power supply.

#### Draining the appliance

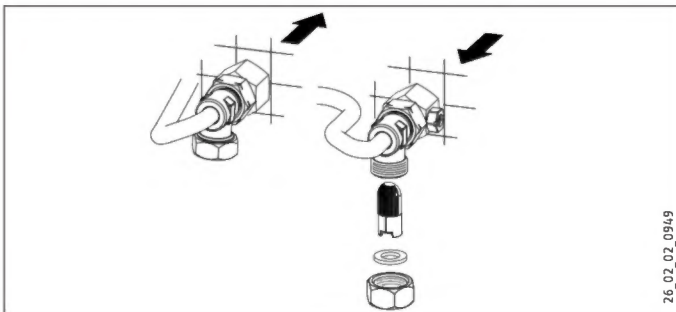
The appliance can be drained for maintenance work.



**WARNING Burns**  
Hot water may escape when draining the appliance.

- ▶ Close the shut-off valve in the twin connector or the cold water inlet line.
- ▶ Open all draw-off valves.
- ▶ Undo the water connections on the appliance.
- ▶ Store the dismantled appliance in a room free from the risk of frost, as water residues remaining inside the appliance can freeze and cause damage.

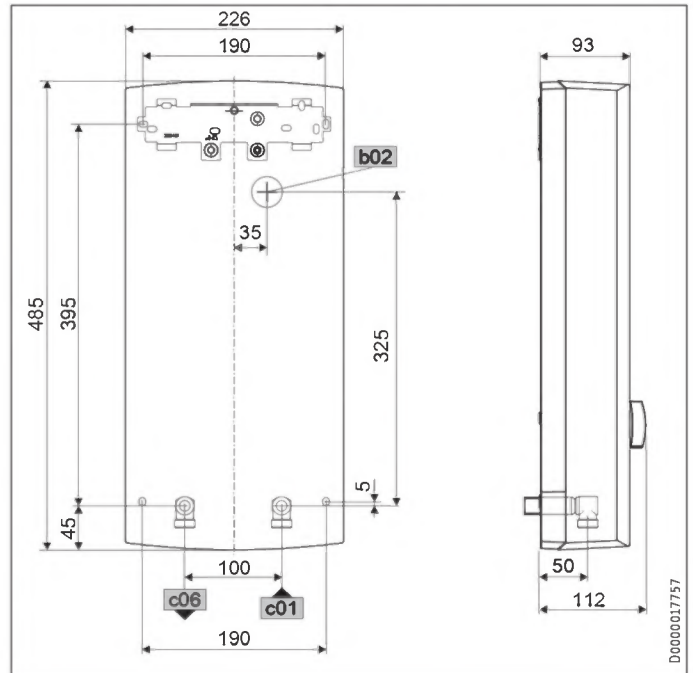
#### Cleaning the strainer



If dirty, clean the strainer in the threaded cold water fitting. Close the shut-off valve in the cold water inlet line before removing, cleaning and refitting the strainer.

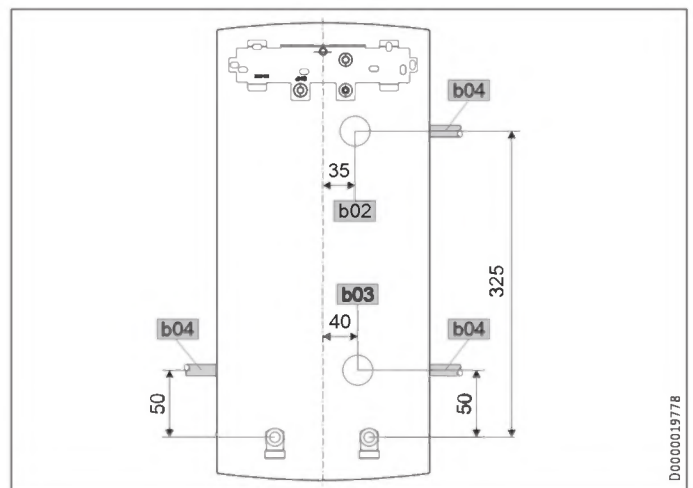
### 15. Specification

#### 15.1 Dimensions and connections



b02	Entry electrical cables I		
c01	Cold water inlet	Male thread	G 1/2 A
c06	DHW outlet	Male thread	G 1/2 A

#### Alternative connection options

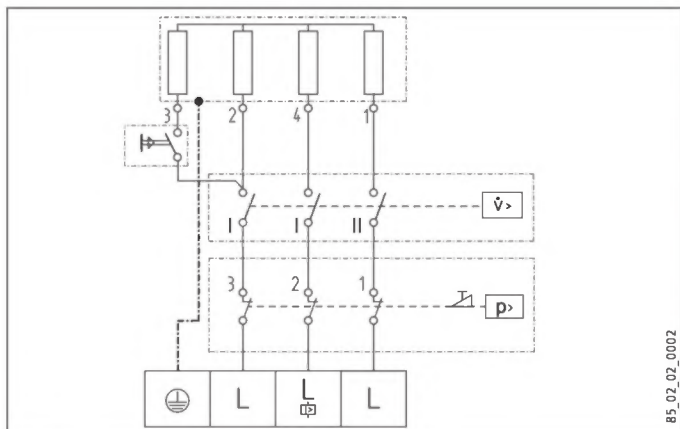


b02	Entry electrical cables I		
b03	Entry electrical cables II		
b04	Entry electrical cables III		

# INSTALLATION Specification

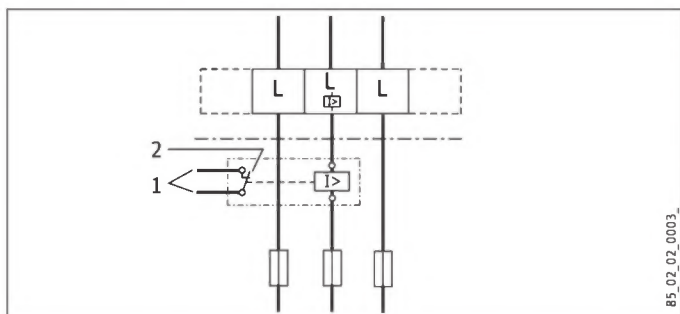
## 15.2 Wiring diagram

3/PE ~ 380 - 400 V



- 1 Heating
- 2 High limit safety cut-out
- 3 Safety pressure limiter

### Priority control with LR 1-A



- 1 Control cable to the contactor of the 2nd appliance (e.g. electric storage heater).
- 2 Control contact drops out when switching the instantaneous water heater on.

## 15.3 DHW output

The DHW output is subject to the mains voltage, the appliance's connected load and the cold water inlet temperature. The rated voltage and rated output can be found on the type plate (see chapter "Troubleshooting").

	Connected Load in kW		38 °C DHW output in L/min.			
	Rated voltage		Cold water inlet temperature			
	380 V	400 V	5 °C	10 °C	15 °C	20 °C
<b>PHB 13</b>						
I max.	9.6		4.2	4.9	6.0	7.6
I max.		10.6	4.6	5.4	6.6	8.4
II max.	12.2		5.3	6.2	7.6	9.7
II max.		13.5	5.8	6.9	8.4	10.7
<b>PHB 18</b>						
I max.	12.9		5.6	6.6	8.0	10.2
I max.		14.3	6.2	7.3	8.9	11.3
II max.	16.3		7.1	8.3	10.1	12.9
II max.		18	7.8	9.2	11.2	14.3
<b>PHB 21</b>						
I max.	15.2		6.6	7.8	9.4	12.1
I max.		16.8	7.3	8.6	10.4	13.3
II max.	19		8.2	9.7	11.8	15.1
II max.		21	9.1	10.7	13.0	16.7
<b>PHB 24</b>						
I max.	17.1		7.4	8.7	10.6	13.6
I max.		19	8.2	9.7	11.8	15.1
II max.	21.7		9.4	11.1	13.5	17.2
II max.		24	10.4	12.2	14.9	19.0

	Connected Load in kW		50 °C DHW output in L/min.			
	Rated voltage		Cold water inlet temperature			
	380 V	400 V	5 °C	10 °C	15 °C	20 °C
<b>PHB 13</b>						
I max.	9.6		3.0	3.4	3.9	4.6
I max.		10.6	3.4	3.8	4.3	5.0
II max.	12.2		3.9	4.4	5.0	5.8
II max.		13.5	4.3	4.8	5.5	6.4
<b>PHB 18</b>						
I max.	12.9		4.1	4.6	5.3	6.1
I max.		14.3	4.5	5.1	5.8	6.8
II max.	16.3		5.2	5.8	6.7	7.8
II max.		18	5.7	6.4	7.3	8.6
<b>PHB 21</b>						
I max.	15.2		4.8	5.4	6.2	7.2
I max.		16.8	5.3	6.0	6.9	8.0
II max.	19		6.0	6.8	7.8	9.0
II max.		21	6.7	7.5	8.6	10.0
<b>PHB 24</b>						
I max.	17.1		5.4	6.1	7.0	8.1
I max.		19	6.0	6.8	7.8	9.0
II max.	21.7		6.9	7.8	8.9	10.3
II max.		24	7.6	8.6	9.8	11.4

# INSTALLATION

## Specification

### 15.4 Application areas / Conversion table

Specific electrical resistivity and specific electrical conductivity (see chapter "Data table").

Standard specification at 15 °C			20 °C			25 °C		
Resistivity $\rho \geq$		Conductivity $\sigma \leq$	Resistivity $\rho \geq$		Conductivity $\sigma \leq$	Resistivity $\rho \geq$		Conductivity $\sigma \leq$
$\Omega \text{ cm}$	$\text{mS/m}$	$\mu\text{S/cm}$	$\Omega \text{ cm}$	$\text{mS/m}$	$\mu\text{S/cm}$	$\Omega \text{ cm}$	$\text{mS/m}$	$\mu\text{S/cm}$
900	111	1111	800	125	1250	735	136	1361

### 15.5 Pressure drop

#### Taps

Tap pressure drop at a flow rate of 10 L/min	
Mono lever mixer tap, approx.	MPa 0.04 - 0.08
Thermostatic valve, approx.	MPa 0.03 - 0.05
Hand shower, approx.	MPa 0.03 - 0.15

#### Sizing the pipework

When calculating the size of the pipework, an appliance pressure drop of 0.1 MPa is recommended.

### 15.6 Fault conditions

In the event of a fault, loads up to a maximum of 95 °C at a pressure of 1.2 MPa can occur temporarily in the installation.

### 15.7 Energy consumption data

Product datasheet: Conventional water heaters to regulation (EU) no. 812/2013 and 814/2013 / (S.I. 2019 No. 539 / Schedule 2)

		PHB 13	PHB 18	PHB 21	PHB 24
		233998	233999	234000	234001
Manufacturer		STIEBEL ELTRON	STIEBEL ELTRON	STIEBEL ELTRON	STIEBEL ELTRON
Load profile		XS	S	S	S
Energy efficiency class		A	A	A	A
Energy conversion efficiency	%	39	38	38	38
Annual power consumption	kWh	469	483	483	483
Sound power level	dB(A)	15	15	15	15
Special information on measuring efficiency		None	None	None	None
Daily power consumption	kWh	2.148	2.215	2.197	2.186

## 15.8 Data table

		PHB 13	PHB 18	PHB 21	PHB 24
		233998	233999	234000	234001
<b>Electrical data</b>					
Rated voltage	V	380	400	380	400
Rated output stage I min.	kW	4.2	4.6	5.7	6.3
Rated output stage I max.	kW	9.6	10.6	12.9	14.3
Rated output stage II min.	kW	6.1	6.8	8.3	9.2
Rated output stage II max.	kW	12.2	13.5	16.3	18
Rated current	A	18.5	19.5	24.7	26
Fuse protection	A	20	20	25	25
Phases		3/PE	3/PE	3/PE	3/PE
Frequency	Hz	50/60	50/60	50/60	50/60
Specific resistivity $\rho_{15} \geq$	$\Omega \text{ cm}$	900	900	900	900
Specific conductivity $\sigma_{15} \leq$	$\mu\text{S/cm}$	1111	1111	1111	1111
<b>Versions</b>					
Colour		White	White	White	White
IP rating		IP25	IP25	IP25	IP25
Heating system heat generator		Bare wire	Bare wire	Bare wire	Bare wire
<b>Connections</b>					
Water connection		G 1/2 A	G 1/2 A	G 1/2 A	G 1/2 A
<b>Application limits</b>					
Max. permissible pressure	MPa	1	1	1	1
<b>Values</b>					
Max. permissible inlet temperature	$^{\circ}\text{C}$	25	25	25	25
Pressure drop at flow rate	MPa	0.09	0.11	0.13	0.15
Flow rate for pressure drop	l/min	3.9	4.5	5.6	6.3
Flow rate limit at	l/min	4.7	5.9	7.0	7.8
DHW delivery	l/min	7.0	9.4	11.1	12.5
$\Delta\theta$ on delivery	K	26	26	26	26
<b>Hydraulic data</b>					
Nominal capacity	l	0.4	0.4	0.4	0.4
<b>Dimensions</b>					
Height	mm	485	485	485	485
Width	mm	226	226	226	226
Depth	mm	93	93	93	93
<b>Weights</b>					
Weight	kg	3.6	3.6	3.6	3.6



### Note

The appliance conforms to IEC 61000-3-12.

## Guarantee

The guarantee conditions of our German companies do not apply to appliances acquired outside of Germany. In countries where our subsidiaries sell our products a guarantee can only be issued by those subsidiaries. Such guarantee is only granted if the subsidiary has issued its own terms of guarantee. No other guarantee will be granted.

We shall not provide any guarantee for appliances acquired in countries where we have no subsidiary to sell our products. This will not affect warranties issued by any importers.

## Environment and recycling

We would ask you to help protect the environment. After use, dispose of the various materials in accordance with national regulations.



# OBSLUHA

## 1. Obecné pokyny

Kapitoly „Zvláštní pokyny“ a „Obsluha“ jsou určeny uživateli a instalatérům a technikům.

Kapitola „Instalace“ je určena instalačním technikům.



### Upozornění

Dříve, než zahájíte provoz, si pozorně přečtěte tento návod a pečlivě jej uschovejte.

Případně předejte návod dalšímu uživateli.

### 1.1 Bezpečnostní pokyny

#### 1.1.1 Struktura bezpečnostních pokynů



#### UVOZUJÍCÍ SLOVO - Druh nebezpečí

Zde jsou uvedeny možné následky nedodržení bezpečnostních pokynů.

► Zde jsou uvedena opatření k odvrácení nebezpečí.

#### 1.1.2 Symboly, druh nebezpečí

Symbol	Druh nebezpečí
	Úraz
	Úraz elektrickým proudem
	Popálení (popálení, opaření)

#### 1.1.3 Uvozující slova

UVOZUJÍCÍ SLOVO	Význam
NEBEZPEČÍ	Pokyny, jejichž nedodržení má za následek vážné nebo smrtelné úrazy.
VÝSTRAHA	Pokyny, jejichž nedodržení může mít za následek vážné nebo smrtelné úrazy.
POZOR	Pokyny, jejichž nedodržení může mít za následek středně vážné nebo lehké úrazy.

### 1.2 Jiné symboly použité v této dokumentaci



#### Upozornění

Obecné pokyny jsou označeny symbolem zobrazeným vedle.

► Texty upozornění čtěte pečlivě.

Symbol	Význam
	Věcné škody (poškození přístroje, následné škody, poškození životního prostředí)
	Likvidace přístroje

► Tento symbol vás vyzývá k určitému jednání. Potřebné úkony jsou popsány po jednotlivých krocích.

### 1.3 Měrné jednotky



#### Upozornění

Pokud není uvedeno jinak, jsou všechny rozměry uvedeny v milimetrech.

## 2. Zabezpečení

### 2.1 Správné používání

Přístroj je určen k použití v domácnostech. Mohou jej tedy bezpečně obsluhovat neškolené osoby. Lze jej používat i mimo domácnosti, např. v drobném průmyslu, pokud je provozován stejným způsobem jako v domácnostech.

Tlakové zařízení je určeno k ohřevu pitné vody. Může zásobovat jedno nebo několik odběrných míst.

Jiné použití nebo použití nad rámec daného rozsahu je považováno za použití v rozporu s určením. K použití v souladu s určením patří také dodržování tohoto návodu a návodů k používanému příslušenství.



#### Upozornění

Přístroj není schválen k dohřevu přehřáté vody.

### 2.2 Všeobecné bezpečnostní pokyny



#### POZOR, nebezpečí popálení

Armatura může během provozu dosáhnout teploty vyšší než 60 °C. Pokud je teplota na výtoku vyšší než 43 °C, hrozí nebezpečí opaření.



#### VÝSTRAHA úraz

Přístroj smějí používat děti od 3 let a osoby se sníženými fyzickými, senzorickými nebo mentálními schopnostmi nebo s nedostatkem zkušeností a znalostí pouze pod dozorem, nebo po poučení o bezpečném použití přístroje, a poté, co porozuměly nebezpečí, která z jeho použití plynou. Nenechávejte děti, aby si s přístrojem hrály. Čištění a uživatelskou údržbu nesmějí provádět děti bez dozoru.



#### Věcné škody

Uživatel musí přístroj a armaturu chránit před mrazem.

### 2.3 Kontrolní symbol

Viz typový štítek na přístroji.

### 3. Popis přístroje

Hydraulicky řízený průtokový ohřívač ohřívá vodu, která protéká přístrojem. Po otevření armatury a překročení množství k zapnutí (viz kapitola „Technické údaje / Tabulka údajů“), se automaticky zapne topný výkon. Množství vody a teplotu můžete nastavit na armatuře.

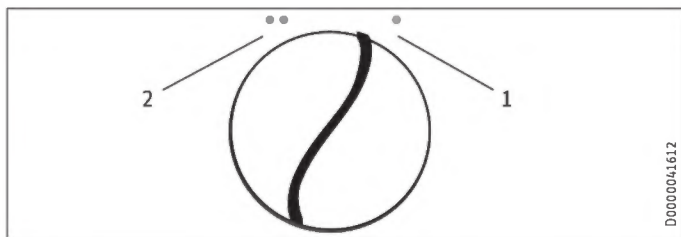
Můžete volit mezi 2 výkonovými stupni. Navíc se v závislosti na průtokovém množství hydraulicky řídí 2 výkonové stupně.

Regulace průtoku přístroje kompenzuje kolísání tlaku a zajišťuje tak maximálním způsobem stejnoměrné teploty. Regulace vymezuje průtokové množství a zaručuje tak vždy dostatečné navýšení teploty pitné vody.

#### Topný systém

Topný systém s holou spirálou je vybaven plastovým tlakovým pláštěm. Topný systém je vhodný pro vodu s nízkým i vyšším obsahem vápenných solí, systém je do značné míry necitlivý vůči zanášení vodním kamenem. Topný systém zajišťuje rychlou a účinnou přípravu teplé vody.

### 4. Nastavení



#### 1 Částečný výkon

Při nízkém průtokovém množství se spíná 1/3 topného výkonu, při vyšším průtokovém množství 2/3 topného výkonu. Toto nastavení je např. vhodné k mytí rukou.

#### 2 Plný výkon

V případě nižšího průtokového množství se spíná poloviční topný výkon, při vyšším průtokovém množství plný topný výkon. Toto nastavení je např. vhodné k oplachování.

- ▶ Nastavte přepínač výkonu do požadované polohy.

#### Doporučené nastavení při použití armatury s termostatem

- ▶ Nastavte přepínač výkonu na plný výkon.

#### 4.1 Doporučené nastavení pro armatury



##### Upozornění

Pokud nelze při plně otevřeném odběrném ventilu a plném výkonu dosáhnout dostatečné teploty na výtoku, protéká přístrojem více vody, než může topný systém ohřát (přístroj na hranici výkonu).

- ▶ Zmenšete množství vody na odběrném ventilu.

nižší odebírané množství = vysoká teplota na výtoku

velké odebírané množství = nízká teplota na výtoku

#### Armatura se dvěma pákami

Výkonový stupeň	Oblast použití
Částečný výkon	Umyvadlo
Plný výkon	Koupelňová vana, dřež

- ▶ V případě příliš vysoké teploty a plně otevřené armatury přimíchejte studenou vodu.

#### Páková baterie

Výkonový stupeň	Oblast použití
Plný výkon	vše

- ▶ Otočte páku armatury na nejvyšší teplotu.
- ▶ Zcela otevřete armaturu.
- ▶ Zvyšte teplotu na výtoku tak, že pomalu uzavřete armaturu.
- ▶ Snižte teplotu na výtoku tak, že přimísíte studenou vodu nebo, pokud možno, více otevřete armaturu.

#### Po přerušení přívodu vody



##### Věcné škody

Po přerušení dodávky vody je nutné přístroj opětovně uvést do provozu pomocí následujících kroků, aby nedošlo k poškození topného systému s holou spirálou.

- ▶ Odpojte přístroj od napětí vypnutím pojistek.
- ▶ Otevřete armaturu na dobu jedné minuty, dokud nejsou přístroj a předřazená přípojka studené vody odvzdušněné.
- ▶ Opět zapněte síťové napětí.

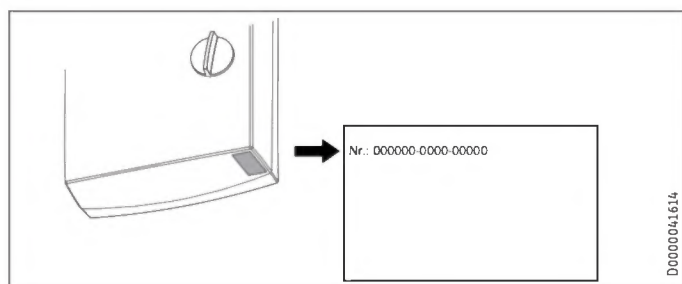
### 5. Čištění, péče a údržba

- ▶ Nepoužívejte abrazivní čisticí prostředky nebo prostředky obsahující rozpouštědla. K ošetřování a údržbě přístroje stačí vlhká textilie.
- ▶ Kontrolujte pravidelně armatury. Vodní kámen na výtocích z armatur odstraníte běžnými prostředky k odstranění vodního kamene.

## 6. Odstranění problémů

Problém	Příčina	Odstranění
I když je ventil teplé vody zcela otevřen, přístroj se nezapne.	Došlo k výpadku elektrického napájení.  Průtokové množství je příliš malé na to, aby se zapnul topný výkon. Usměrňovač toku v armatuře.	Zkontrolujte pojistky vnitřní instalace.  Očistěte usměrňovač toku a/nebo jej zbavte vodního kamene.

Pokud nelze příčinu odstranit, kontaktujte odborníka. Pro lepší a rychlejší pomoc mu sdělte číslo (č. 000000-0000-00000), které je uvedeno na typovém štítku:



## INSTALACE

### 7. Zabezpečení

Instalaci, uvedení do provozu, údržbu a opravy přístroje smí provádět pouze odborník.

#### 7.1 Všeobecné bezpečnostní pokyny

Řádnou funkci a spolehlivý provoz lze zaručit pouze v případě použití původního příslušenství a originálních náhradních dílů určených pro tento přístroj.



#### Věcné škody

Dodržujte maximální vstupní teplotu. Při vyšších teplotách může dojít k poškození přístroje. Instalací centrální termostatické armatury můžete omezit maximální teplotu přítoku.

#### 7.2 Předpisy, normy a ustanovení



#### Upozornění

Dodržujte všechny národní a místní předpisy a ustanovení.

- Krytí IP 25 (ochrana proti stříkající vodě) je zaručeno pouze v případě odborně instalované kabelové průchodky.
- Měrný elektrický odpor vody nesmí být menší než hodnota uvedená na typovém štítku. V případě propojení několika vodovodních sítí je nezbytné vzít v úvahu nejnižší elektrický odpor vody (viz kapitola „Technické údaje / Oblasti použití / Převodní tabulka“). Hodnoty měrného elektrického odporu vody nebo elektrické vodivosti vody zjistíte u vašeho dodavatele vody.

## 8. Popis přístroje

### 8.1 Rozsah dodávky

Spolu s přístrojem je dodáváno:

- Zavěšení na zeď
- Svorník se závitem pro zavěšení na zeď
- Montážní šablona
- 2 dvojité vsuvky (studená voda s uzavíracím ventilem)
- plochá těsnění
- Kabelová průchodka (elektrické přívodní vedení nahoře / dole)
- Šrouby / hmoždinky k připevnění zadní stěny v případě montáže na vodovodní přípojku na stěnu

Pro výměnu přístroje:

- 2 prodloužení kohoutu

### 9. Příprava

#### 9.1 Místo montáže



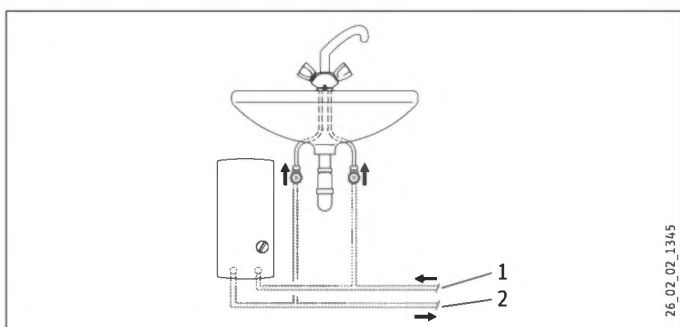
##### Věcné škody

Přístroj smí být instalován pouze v místnosti chráněné před mrazem.

- Přístroj montujte ve svislé poloze v blízkosti odběrného místa.

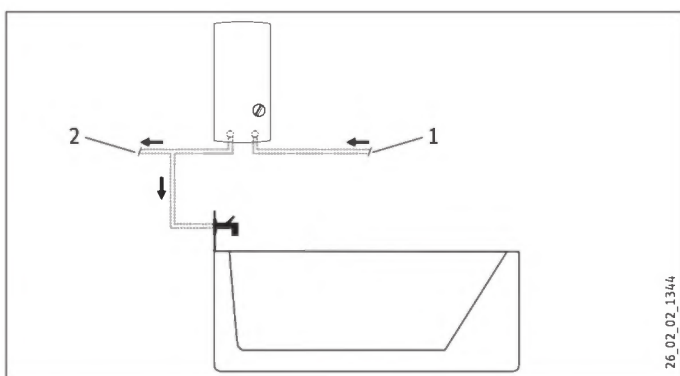
Přístroj je vhodný k montáži pod a nad umyvadlo.

##### Montáž pod umyvadlo



- 1 Vstup studené vody
- 2 Výstup teplé vody

##### Montáž nad umyvadlo



- 1 Vstup studené vody
- 2 Výstup teplé vody



##### Upozornění

- Namontujte přístroj na stěnu. Stěna musí mít dostatečnou nosnost.

#### 9.2 Vodovodní instalace

- Provoz s přehřátou vodou není přípustný.
- Pojistný ventil není nutný.
- Pojistné ventily v rozvodu teplé vody nejsou přípustné.
- Důkladně vypláchněte vodovodní vedení.
- Zkontrolujte, zda je dosaženo objemového průtoku (viz kapitolu „Technické údaje / Tabulka údajů“, zapnutí) k zapnutí přístroje. Zvyšte tlak ve vodovodu, pokud není dosaženo při plně otevřeném odběrném ventilu potřebného objemového průtoku.

##### Armatury

Použijte vhodné tlakové armatury. Beztlakové armatury nejsou dovolené.

Tlakové armatury s termostatem musí být vhodné pro hydraulicky ovládané průtokové ohřívače.



##### Upozornění

Uzavírací ventil na přívodu studené vody se nesmí používat k omezení průtoku. Slouží k uzavření přístroje.

##### Dovolené materiály vodovodního potrubí

- Přívod studené vody:  
Žárově zinkovaná ocelová trubka, trubka z ušlechtilé oceli, měděná trubka nebo plastová trubka
- Výstupní potrubí teplé vody:  
Trubka z ušlechtilé oceli, měděná trubka nebo plastová trubka



##### Věcné škody

V případě použití plastových potrubních systémů dodržujte maximální dovolenou vstupní teplotu a maximální dovolený tlak, uvedené v kapitole „Technické údaje / Tabulka údajů“.

##### Flexibilní přívodní vedení vody

- Při instalaci flexibilních přívodních vedení vody zamezte překroucení kolen s bajonetovými spoji v přístroji.
- Upevněte zadní stěnu dole pomocí dodatečných dvou šroubů.

### 10. Montáž

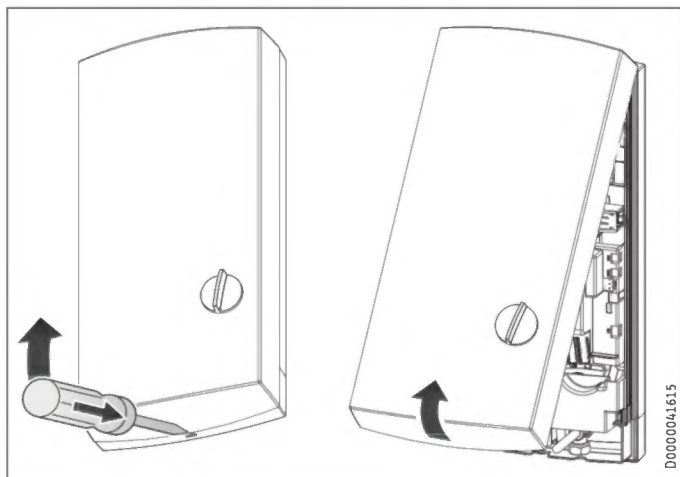
#### 10.1 Standardní montáž

- Elektrická přípojka nahoře, instalace ve stěně (pod omítkou)
- Vodovodní přípojka s instalací ve stěně (pod omítkou)

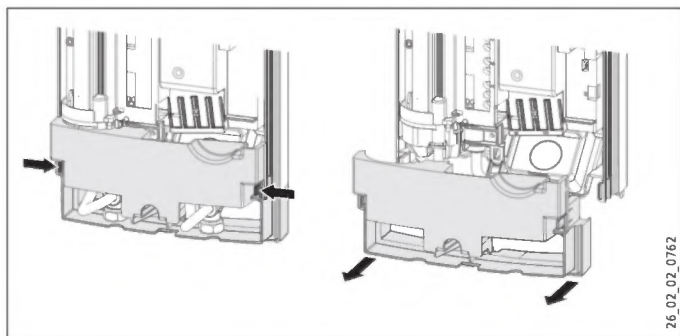
Další možnosti montáže viz kapitola „Alternativní postupy montáže“:

- Elektrická přípojka pod omítkou dole
- Elektrická přípojka na zdi
- Připojení zátěžového relé
- Vodovodní instalace na zdi
- Přípojka vody pod omítkou při výměně přístroje

#### Otevření přístroje

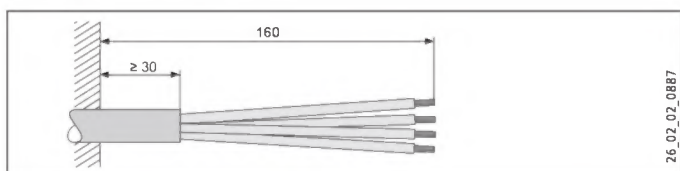


- Otevřete přístroj odblokováním pojistky.

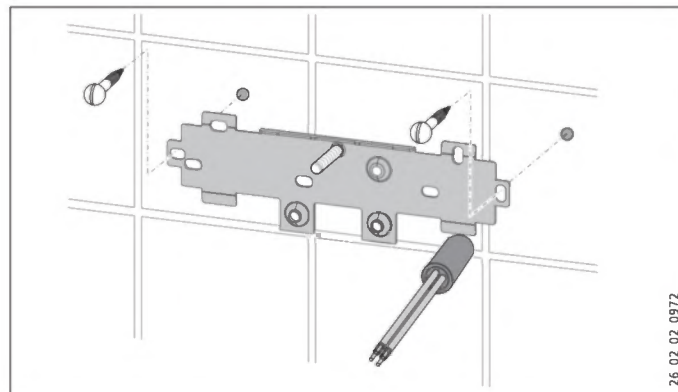


- Demontujte zadní stěnu zatlačením obou pojistných háčků a stáhněte spodní díl zadní stěny dopředu.

#### Příprava přívodního kabelu

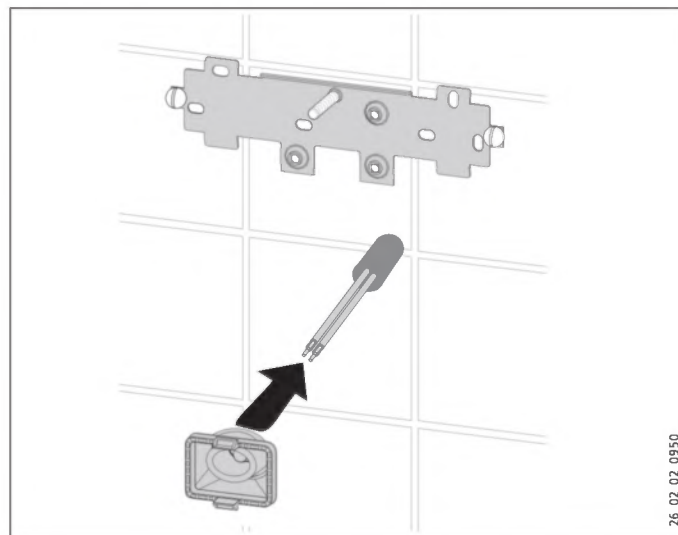


#### Montáž nástěnného závěsu



- Vyznačte pomocí montážní šablony vrtané otvory. V případě montáže s vodovodními přípojkami přímo na zdi musíte navíc označit upevňovací otvory ve spodní části šablony.
- Vyvrtejte otvory a upevněte zavěšovací konzolu na zeď pomocí 2 šroubů a 2 hmoždinek (šrouby a hmoždinky nejsou součástí dodávky).
- Namontujte přiložené svorníky se závitem.
- Namontujte konzolu na zeď.

#### Montáž kabelové průchodky



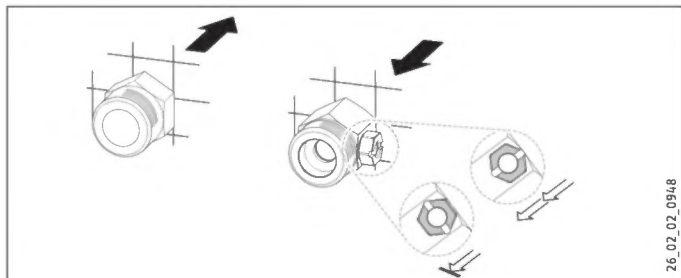
- Namontujte kabelovou průchodku. Je-li průřez připojovacího kabelu > 6 mm<sup>2</sup>, musíte otvor v kabelové průchodce zvětšit.

# INSTALACE

## Montáž

### Instalace vodovodní přípojky

- ! Věcné škody**  
Veškeré vodovodní přípojky a instalace provádějte podle předpisů.

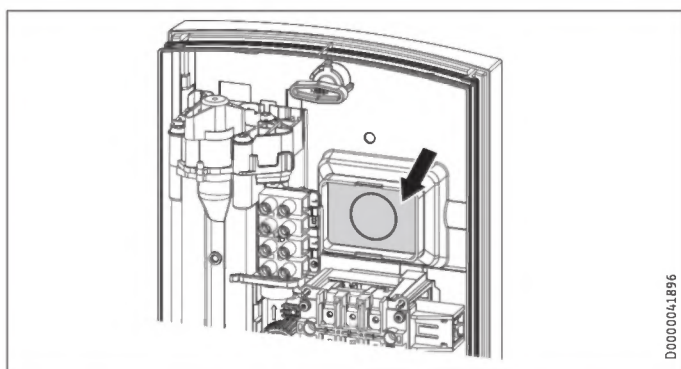


- Utěsněte a našroubujte dvojitou vsuvku.

- ! Věcné škody**  
Uzavírací ventil na přívodu studené vody se nesmí používat k omezení průtoku.

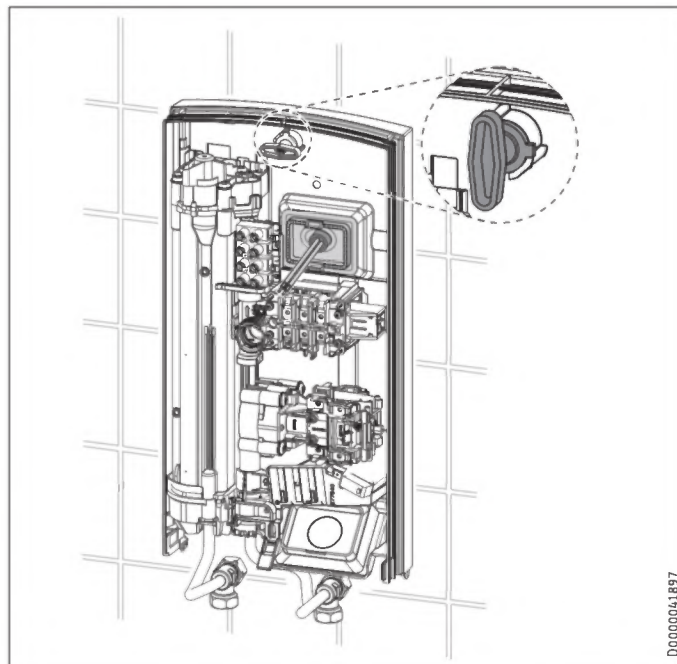
### Příprava zadní stěny

- ! Věcné škody**  
Pokud byste nedopatřením vylomili do zadní stěny nesprávný otvor, musíte použít novou zadní stěnu.

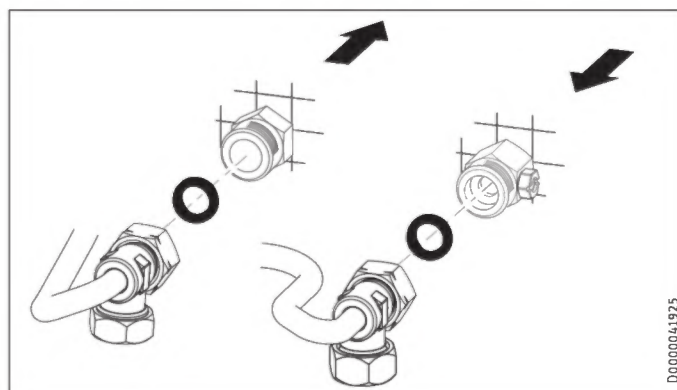


- Vylomte průchodku kabelu na zadní straně. V případě potřeby odstraňte pilníkem ostré hrany.

### Montáž přístroje



- Zasuňte zadní stěnu přes svorník se závitem a kabelovou průchodku. Zatáhněte kabelovou průchodku pomocí kleští na háčcích do zadní stěny, dokud oba háčky slyšitelně nezaklapnou.
- Odstraňte z vodovodních přípojek ochranná transportní víčka.
- Pevně přitlačte zadní stěnu a zajistěte upevňovací páčku otčením doprava o 90°.



- Přišroubujte trubky vodovodní přípojky s plochým těsněním na dvojitě vsuvky.

- ! Věcné škody**  
Z důvodu funkce přístroje musíte instalovat sítko.  
► Zkontrolujte při výměně přístroje, zda je k dispozici sítko (viz kapitola „Údržba“).

### Připojení přívodu elektrické energie



**VÝSTRAHA elektrický proud**  
Veškerá elektrická zapojení a instalace provádějte podle předpisů.



**VÝSTRAHA elektrický proud**  
Přípojka k elektrické síti smí být provedena pouze jako pevná přípojka v kombinaci s vyjímatelnou kabelovou vsuvkou. Přístroj musí být možné odpojit od síťové přípojky na všech pólech na vzdálenost nejméně 3 mm.



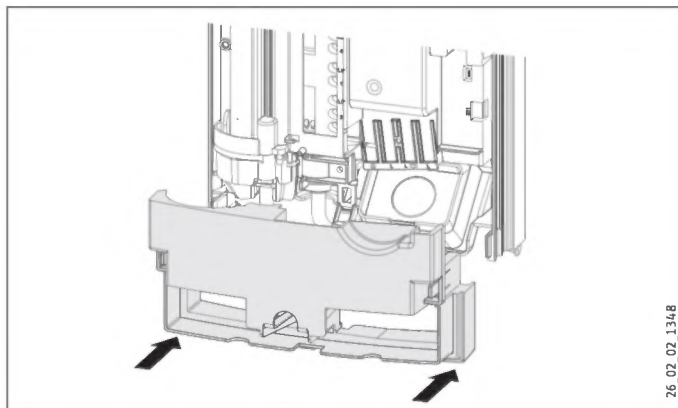
**VÝSTRAHA elektrický proud**  
Pamatujte, že přístroj musí být připojen k ochrannému vodiči.



**Věcné škody**  
Dodržujte údaje uvedené na typovém štítku. Uvedené napětí se musí shodovat se síťovým napětím.

- ▶ Připojte elektrický přívodní kabel k síťové svorkovnici (viz kapitolu „Technické údaje / Schéma elektrického zapojení“).

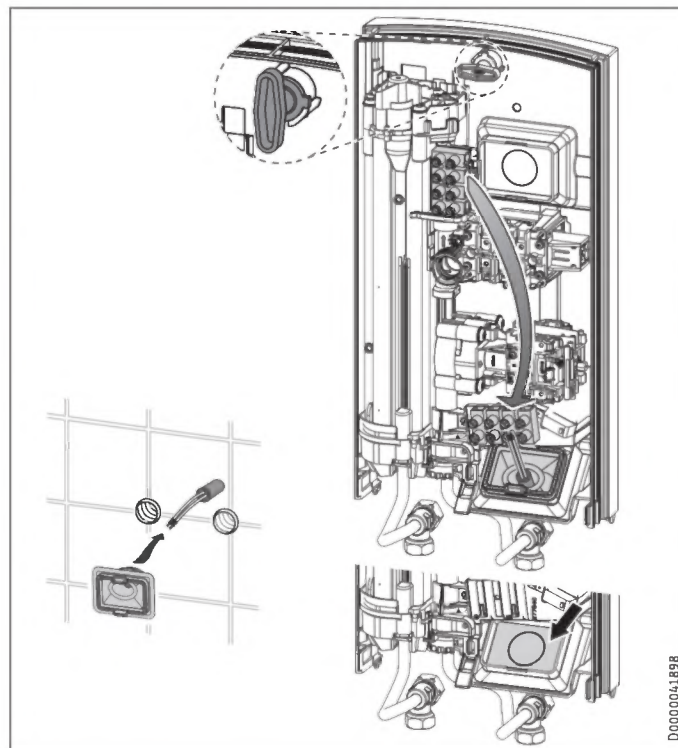
### Montáž spodní části zadní stěny



- ▶ Namontujte spodní díl zadní stěny do zadní stěny a zajistěte jej.
- ▶ Vyrovnajte namontovaný přístroj povolením upevňovací páčky, vyrovnajte elektrickou přípojku a zadní stěnu a opět utáhněte upevňovací páčku. Pokud zadní stěna přístroje nepřiléhá, můžete přístroj dole upevnit dvěma dalšími šrouby.

## 10.2 Alternativy montáže

### 10.2.1 Elektrická přípojka pod omítkou dole



- ▶ Namontujte kabelovou průchodku.



**Věcné škody**  
Pokud byste nedopatřením vylomili do zadní stěny nesprávný otvor, musíte použít novou zadní stěnu.

- ▶ Vylomte průchodku kabelu na zadní straně. V případě potřeby odstraňte pilníkem ostré hrany.
- ▶ Přemístěte přívodní síťovou svorku v přístroji shora dolů.
- ▶ Zasuňte zadní stěnu přes svorník se závětem a kabelovou průchodku. Zatáhněte kabelovou průchodku pomocí kleští na háčcích do zadní stěny, dokud oba háčky slyšitelně nezaklapnou.
- ▶ Pevně přitlačte zadní stěnu a zajistěte upevňovací páčku otočením doprava o 90°.

# INSTALACE

## Montáž

### 10.2.2 Elektrická přípojka na zdi



#### Upozornění

Při tomto způsobu připojení se mění krytí přístroje.

- ▶ Proveďte změnu na typovém štítku. Přeškrtněte údaj IP 25 a označte křížkem políčko IP 24. K tomuto účelu použijte propisku.



#### Věcné škody

Pokud byste nedopatřením vylomili do zadní stěny nesprávný otvor, musíte použít novou zadní stěnu.

- ▶ Čistě vyřízněte nebo prorazte potřebnou průchodku v zadní stěně přístroje (umístění viz kapitola „Technické údaje / Rozměry a přípojky“). V případě potřeby odstraňte pilníkem ostré hrany.
- ▶ Vedte elektrický přívodní kabel kabelovou průchodkou a připojte jej k síťové svorkovnici.

### 10.2.3 Připojení zátěžového relé

Zátěžové relé používejte v kombinaci s jinými elektrickými přístroji v elektrickém rozvodu, například s elektrickými akumulacími ohříváči. K vypnutí zátěže dochází při provozu průtokového ohříváče.



#### Věcné škody

Připojte fázi, která spíná zátěžové relé, k označené svorce síťové svorkovnice v přístroji (viz kapitolu „Technické údaje / Schéma elektrického zapojení“).

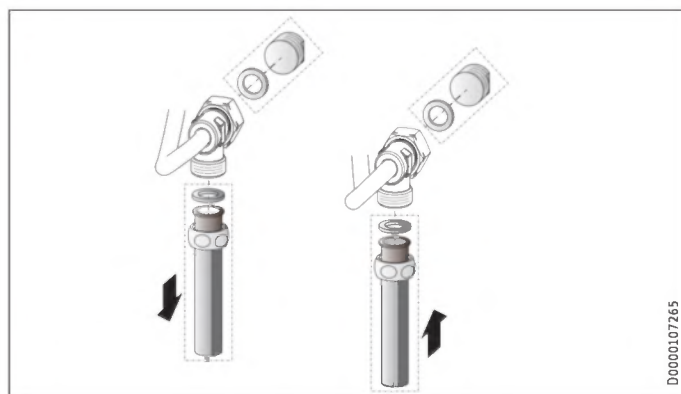
### 10.2.4 Vodovodní instalace na zdi



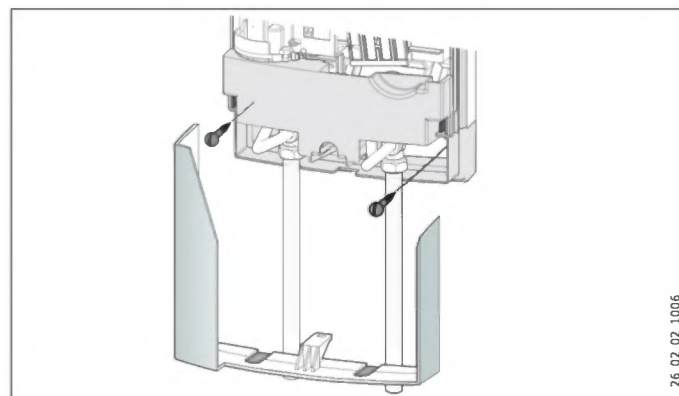
#### Upozornění

Při tomto způsobu připojení se mění krytí přístroje.

- ▶ Proveďte změnu na typovém štítku. Přeškrtněte údaj IP 25 a označte křížkem políčko IP 24. K tomuto účelu použijte propisku.



- ▶ Namontujte vodovodní zátku s těsněním tak, aby došlo k uzavření přívodu pod omítkou.
- ▶ Namontujte vhodnou tlakovou armaturu.



- ▶ Upevněte zadní stěnu dole pomocí dodatečných dvou šroubů.
- ▶ Nasadte spodní díl zadní stěny pod připojovací trubky armatury a zajistěte jej.
- ▶ Přišroubujte přívodní trubky k přístroji.



#### Věcné škody

Pokud byste nedopatřením vylomili do víka přístroje nesprávný otvor, musíte použít nové víko.

- ▶ Proveďte čisté vylomení průchozích otvorů ve víku přístroje. V případě potřeby odstraňte pilníkem ostré hrany.

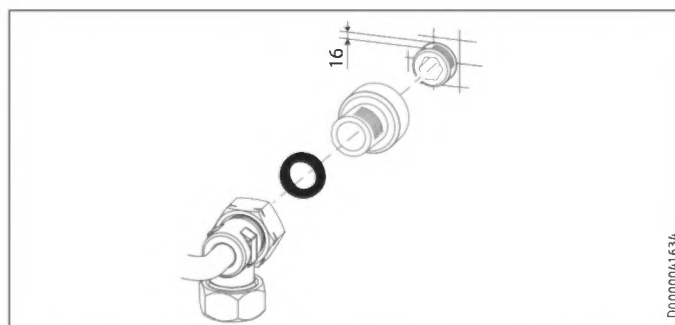
### 10.2.5 Vodovodní instalace pod omítkou při výměně přístroje

Pokud stávající dvojité vsuvky starého přístroje vyčnívají ze zdi pouze cca o 16 mm, nelze použít dodané dvojité vsuvky.



#### Upozornění

Při tomto připojení je uzávěr přítoku studené vody možný pouze v domovní instalaci.



- ▶ Utěsněte a našroubujte dodaná prodloužení kohoutu.
- ▶ Připojte přístroj.

### 10.3 Dokončení montáže

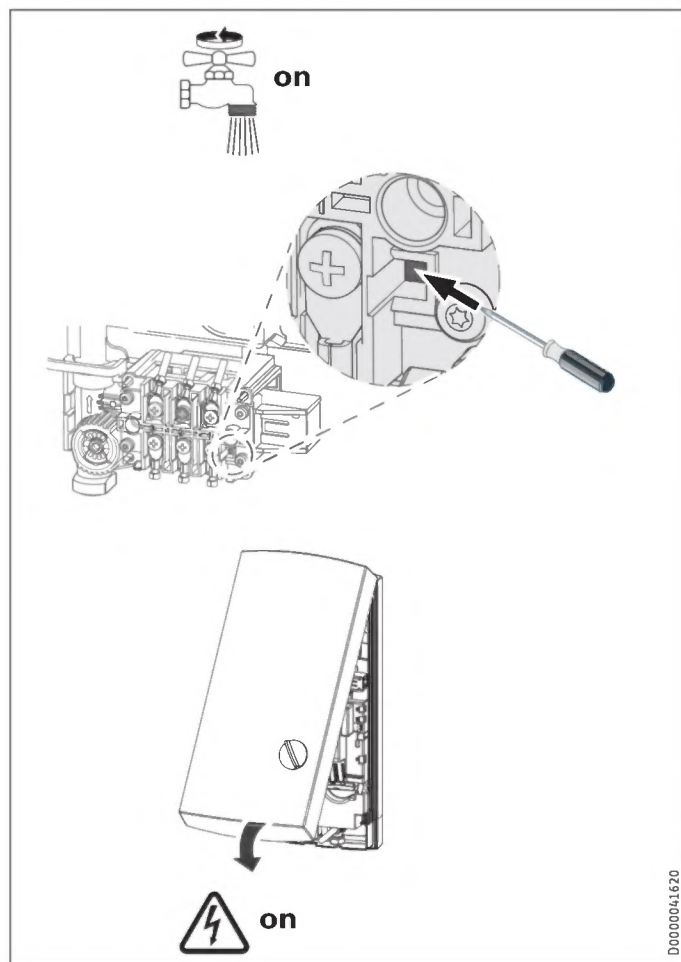
- ▶ Otevřete uzavírací ventil ve dvojité vsuvce nebo na přívodu studené vody.

### 11. Uvedení do provozu



**VÝSTRAHA elektrický proud**  
Uvedení do provozu smí provádět pouze specializovaný odborník při dodržení bezpečnostních předpisů.

#### 11.1 První uvedení do provozu



- ▶ Otevřete a uzavřete několikrát všechny připojené odběrné ventily, dokud nebudou rozvodná síť a přístroj odvzdušněné.
- ▶ Proveďte kontrolu těsnosti.
- ▶ Aktivujte bezpečnostní omezovač tlaku pevným stisknutím resetovacího tlačítka (přístroj je dodán s vypnutým bezpečnostním omezovačem tlaku).
- ▶ Namontujte víko přístroje a dbejte, aby se slyšitelně zajistilo. Ověřte usazení víka přístroje.
- ▶ Zapněte napájení ze sítě.
- ▶ Zkontrolujte funkci přístroje.

#### Předání přístroje

- ▶ Vysvětlíte uživateli funkci přístroje a seznámte ho se způsobem jeho užívání.
- ▶ Upozorníte uživatele na možná rizika, především na nebezpečí opaření.
- ▶ Předáte tento návod.

### 11.2 Opětovné uvedení do provozu

Odvzdušněte přístroj a přívod studené vody (viz kapitola „Nastavení“).

Viz kapitola „První uvedení do provozu“.

### 12. Uvedení mimo provoz

- ▶ Odpojte přístroj na všech pólech od sítě.
- ▶ Vypusťte vodu z přístroje (viz kapitola „Údržba“).

### 13. Odstraňování poruch

Závada	Příčina	Odstranění
Průtok je příliš nízký.	Sítka v přístroji je znečištěná.	Vyčistěte sítka.
Regulátor průtoku nespíná i přesto, že je armatura zcela otevřená.	Není dosaženo potřebného množství k sepnutí topného tělesa.	Vyčistěte sítka.
Přístroj nedodává teplou vodu i přes slyšitelné sepnutí spínače rozdílů tlaků.	Bezpečnostní omezovač tlaku (AP 3) z bezpečnostních důvodů vypnul přístroj.	Odstraňte příčinu závady (např. vadné tlakové proplachovací zařízení).  Chraňte topný systém před přehřátím otevřením ventilu v odběrném místě za přístrojem na jednu minutu. Z topného systému tak bude vypuštěn tlak a dojde k ochlazení.  Aktivujte bezpečnostní omezovač tlaku při hydraulickém tlaku stisknutím tlačítka reset (viz kapitola „První uvedení do provozu“).
	Topný systém je vadný.	Změřte odpor topného systému a v případě potřeby odpor vyměňte.

### 14. Údržba



**VÝSTRAHA elektrický proud**  
Při všech činnostech odpojte přístroj na všech pólech od sítě.

#### Vypuštění přístroje

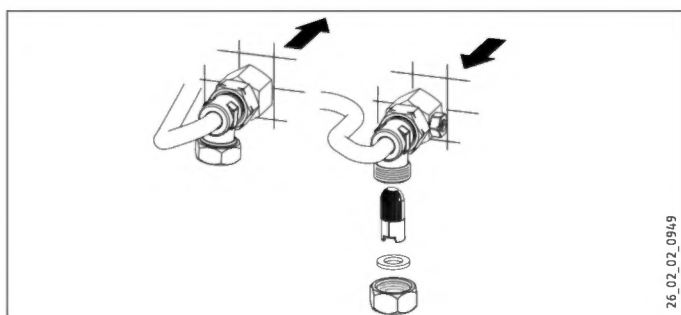
K provádění údržbových prací můžete přístroj vypustit.



**VÝSTRAHA popálení**  
Při vypouštění přístroje může vytékat horká voda.

- ▶ Uzavřete uzavírací ventil ve dvojitě vsuvce nebo na přívodu studené vody.
- ▶ Otevřete všechny odběrné ventily.
- ▶ Odpojte od přístroje vodovodní přípojky.
- ▶ Demontovaný přístroj skladujte tak, aby byl chráněn před mrazem. Případné zbytky vody v přístroji mohou zmrznout a způsobit škody.

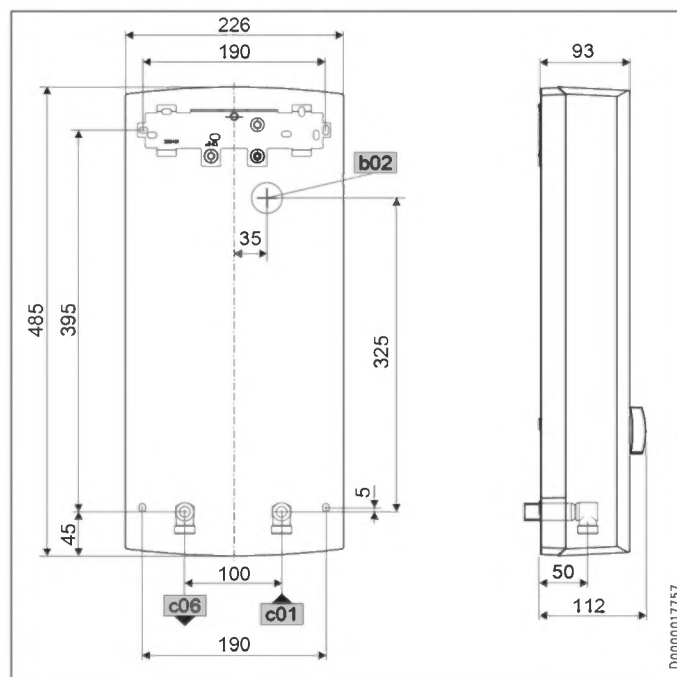
#### Vyčistění sítka



V případě znečištění očistěte sítko ve šroubení přípojky studené vody. Uzavřete uzavírací ventil v přívodu studené vody, než sítko vyjmete, očistíte a opět namontujete.

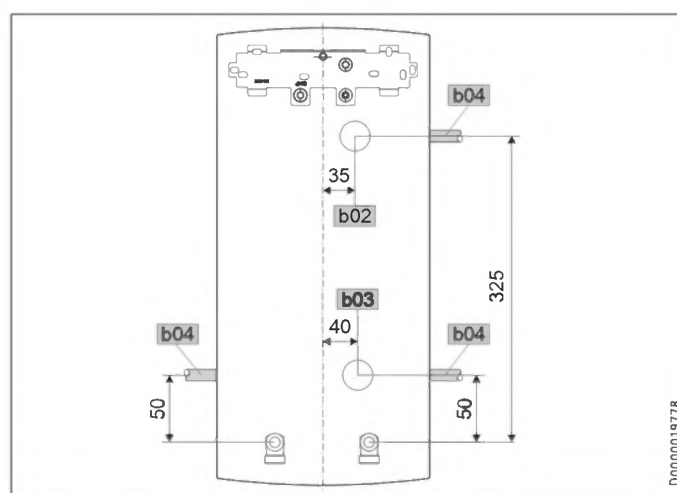
### 15. Technické údaje

#### 15.1 Rozměry a přípojky



b02	Kabelová průchodka I		
c01	Vstup studené vody	Vnější závit	G 1/2 A
c06	Výstup teplé vody	Vnější závit	G 1/2 A

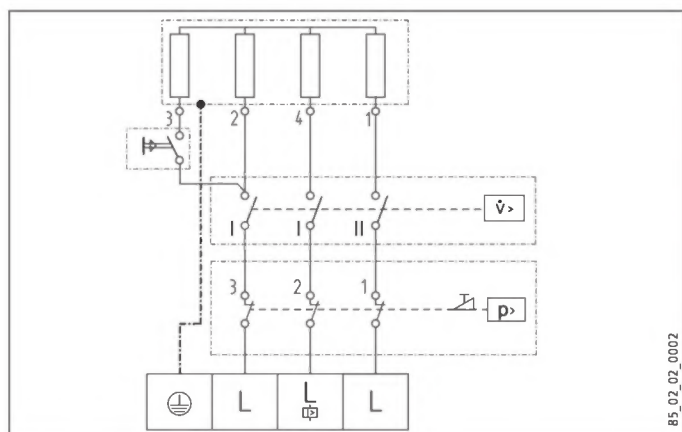
#### Alternativní možnosti připojení



b02	Kabelová průchodka I		
b03	Kabelová průchodka II		
b04	Kabelová průchodka III		

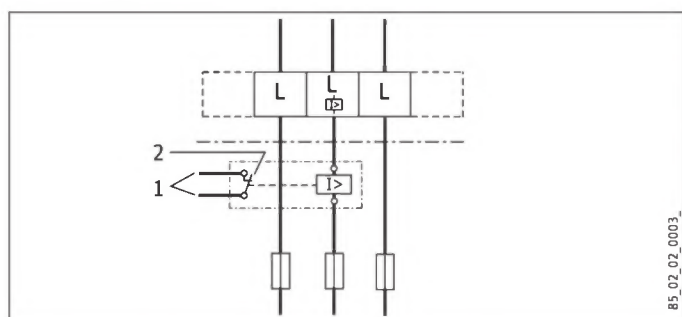
### 15.2 Schéma elektrického zapojení

3/PE ~ 380 - 400 V



- 1 Topná tělesa
- 2 Bezpečnostní omezovač teploty
- 3 Bezpečnostní omezovač tlaku

### Předřazený spínač s LR 1-A



- 1 Řídicí obvod stykače 2. přístroje (například elektrický akumulární ohřívač).
- 2 Řídicí kontakt, který se otevře po zapnutí průtokového ohřívače.

### 15.3 Výkon teplé vody

Výkon teplé vody závisí na napětí sítě, příkonu přístroje a vstupní teplotě studené vody. Jmenovité napětí a jmenovitý výkon najdete na typovém štítku (viz kapitola „Odstraňování problémů“).

	Příkon v kW		38 °C výkon teplé vody v L/min.			
	Jmenovité napětí		Vstupní teplota studené vody			
	380 V	400 V	5 °C	10 °C	15 °C	20 °C
<b>PHB 13</b>						
I max.	9,6		4,2	4,9	6,0	7,6
I max.		10,6	4,6	5,4	6,6	8,4
II max.	12,2		5,3	6,2	7,6	9,7
II max.		13,5	5,8	6,9	8,4	10,7
<b>PHB 18</b>						
I max.	12,9		5,6	6,6	8,0	10,2
I max.		14,3	6,2	7,3	8,9	11,3
II max.	16,3		7,1	8,3	10,1	12,9
II max.		18	7,8	9,2	11,2	14,3
<b>PHB 21</b>						
I max.	15,2		6,6	7,8	9,4	12,1
I max.		16,8	7,3	8,6	10,4	13,3
II max.	19		8,2	9,7	11,8	15,1
II max.		21	9,1	10,7	13,0	16,7
<b>PHB 24</b>						
I max.	17,1		7,4	8,7	10,6	13,6
I max.		19	8,2	9,7	11,8	15,1
II max.	21,7		9,4	11,1	13,5	17,2
II max.		24	10,4	12,2	14,9	19,0

	Příkon v kW		50 °C výkon teplé vody v L/min.			
	Jmenovité napětí		Vstupní teplota studené vody			
	380 V	400 V	5 °C	10 °C	15 °C	20 °C
<b>PHB 13</b>						
I max.	9,6		3,0	3,4	3,9	4,6
I max.		10,6	3,4	3,8	4,3	5,0
II max.	12,2		3,9	4,4	5,0	5,8
II max.		13,5	4,3	4,8	5,5	6,4
<b>PHB 18</b>						
I max.	12,9		4,1	4,6	5,3	6,1
I max.		14,3	4,5	5,1	5,8	6,8
II max.	16,3		5,2	5,8	6,7	7,8
II max.		18	5,7	6,4	7,3	8,6
<b>PHB 21</b>						
I max.	15,2		4,8	5,4	6,2	7,2
I max.		16,8	5,3	6,0	6,9	8,0
II max.	19		6,0	6,8	7,8	9,0
II max.		21	6,7	7,5	8,6	10,0
<b>PHB 24</b>						
I max.	17,1		5,4	6,1	7,0	8,1
I max.		19	6,0	6,8	7,8	9,0
II max.	21,7		6,9	7,8	8,9	10,3
II max.		24	7,6	8,6	9,8	11,4

### 15.4 Oblast použití / Převodní tabulka

Měrný elektrický odpor a měrná elektrická vodivost (viz kapitola „Tabulka s technickými údaji“).

Údaj podle normy při 15 °C			20 °C			25 °C		
Odpor $\rho \geq$		Vodivost $\sigma \leq$	Odpor $\rho \geq$		Vodivost $\sigma \leq$	Odpor $\rho \geq$		Vodivost $\sigma \leq$
$\Omega \text{ cm}$	mS/m	$\mu\text{S/cm}$	$\Omega \text{ cm}$	mS/m	$\mu\text{S/cm}$	$\Omega \text{ cm}$	mS/m	$\mu\text{S/cm}$
900	111	1111	800	125	1250	735	136	1361

### 15.5 Ztráty tlaku

#### Armatury

Tlaková ztráta armatur při objemovém průtoku 10 l/min		
Páková baterie cca	MPa	0,04 - 0,08
Armatura s termostatem cca	MPa	0,03 - 0,05
Ruční sprcha cca	MPa	0,03 - 0,15

#### Dimenzování potrubní sítě

K výpočtu dimenzování potrubní sítě je pro přístroj doporučena tlaková ztráta 0,1 MPa.

### 15.6 Podmínky v případě poruchy

V případě poruchy může v instalaci krátkodobě vzniknout zatížení maximálně 95 °C při tlaku 1,2 MPa.

### 15.7 Údaje ke spotřebě energie

List technických údajů k výrobku: Běžné zařízení k přípravě teplé vody v souladu s nařízením (EU) č. 812/2013 a 814/2013

		PHB 13	PHB 18	PHB 21	PHB 24
		233998	233999	234000	234001
Výrobce		STIEBEL ELTRON	STIEBEL ELTRON	STIEBEL ELTRON	STIEBEL ELTRON
Zátěžový profil		XS	S	S	S
Třída energetické účinnosti		A	A	A	A
Energetická účinnost	%	39	38	38	38
Roční spotřeba el. energie	kWh	469	483	483	483
Hladina akustického výkonu	dB(A)	15	15	15	15
Zvláštní pokyny k měření účinnosti		žádné	žádné	žádné	žádné
Denní spotřeba el. energie	kWh	2,148	2,215	2,197	2,186

## 15.8 Tabulka údajů

		PHB 13 233998	PHB 18 233999	PHB 21 234000	PHB 24 234001
<b>Elektrotechnické údaje</b>					
Jmenovité napětí	V	380	400	380	400
Jmenovitý výkon, stupeň I min.	kW	4,2	4,6	5,7	6,3
Jmenovitý výkon, stupeň I max.	kW	9,6	10,6	12,9	14,3
Jmenovitý výkon, stupeň II min.	kW	6,1	6,8	8,3	9,2
Jmenovitý výkon, stupeň II max.	kW	12,2	13,5	16,3	18
Jmenovitý proud	A	18,5	19,5	24,7	26
Jištění	A	20	20	25	25
Fáze		3/PE	3/PE	3/PE	3/PE
Frekvence	Hz	50/60	50/60	50/60	50/60
Specifický odpor $\rho_{15} \geq$	$\Omega$ cm	900	900	900	900
Specifická vodivost $\sigma_{15} \leq$	$\mu$ S/cm	1111	1111	1111	1111
<b>Provedení</b>					
Barva		bílá	bílá	bílá	bílá
Krytí (IP)		IP25	IP25	IP25	IP25
Zdroj tepla topného systému		holá spirála	holá spirála	holá spirála	holá spirála
<b>Přípojky</b>					
Vodovodní přípojka		G 1/2 A	G 1/2 A	G 1/2 A	G 1/2 A
<b>Meze použitelnosti</b>					
Max. dovolený tlak	MPa	1	1	1	1
<b>Hodnoty</b>					
Max. povolená vstupní teplota vody	$^{\circ}$ C	25	25	25	25
Tlakové ztráty při objemovém průtoku	MPa	0,09	0,11	0,13	0,15
Objemový průtok pro tlakovou ztrátu	l/min	3,9	4,5	5,6	6,3
Omezení objemového průtoku při	l/min	4,7	5,9	7,0	7,8
Výkon teplé vody	l/min	7,0	9,4	11,1	12,5
$\Delta\theta$ při dodávce teplé vody	K	26	26	26	26
<b>Údaje o hydraulickém systému</b>					
Jmenovitý objem	l	0,4	0,4	0,4	0,4
<b>Rozměry</b>					
Výška	mm	485	485	485	485
Šířka	mm	226	226	226	226
Hloubka	mm	93	93	93	93
<b>Hmotnosti</b>					
Hmotnost	kg	3,6	3,6	3,6	3,6



### Upozornění

Přístroj vyhovuje normě IEC 61000-3-12.

## Záruka

Pro přístroje nabyté mimo území Německa neplatí záruční podmínky poskytované našimi firmami v Německu. V zemích, ve kterých některá z našich dceřiných společností distribuuje naše výrobky, poskytuje záruku jenom tato dceřiná společnost. Takovou záruku lze poskytnout pouze tehdy, pokud dceřiná společnost vydala vlastní záruční podmínky. Jinak nelze záruku poskytnout.

Na přístroje zakoupené v zemích, ve kterých nejsou naše výrobky distribuovány žádnou z dceřiných společností, neposkytujeme žádnou záruku. Případné záruky závazně přislíbené dovozcem zůstávají proto nedotčené.

## Životní prostředí a recyklace

Pomozte nám chránit naše životní prostředí. Materiály po použití zlikvidujte v souladu s platnými národními předpisy.

## WSKAZÓWKI SPECJALNE

## OBSŁUGA

<b>1.</b>	<b>Wskazówki ogólne</b>	<b>31</b>
1.1	Wskazówki dotyczące bezpieczeństwa	31
1.2	Inne oznaczenia stosowane w niniejszej dokumentacji	31
1.3	Jednostki miar	31
<b>2.</b>	<b>Bezpieczeństwo</b>	<b>31</b>
2.1	Użytkowanie zgodne z przeznaczeniem	31
2.2	Ogólne wskazówki dotyczące bezpieczeństwa	32
2.3	Znak kontroli	32
<b>3.</b>	<b>Opis urządzenia</b>	<b>32</b>
<b>4.</b>	<b>Nastawy</b>	<b>32</b>
4.1	Zalecane nastawienie armatur	32
<b>5.</b>	<b>Czyszczenie i konserwacja</b>	<b>33</b>
<b>6.</b>	<b>Usuwanie problemów</b>	<b>33</b>

## INSTALACJA

<b>7.</b>	<b>Bezpieczeństwo</b>	<b>33</b>
7.1	Ogólne wskazówki dotyczące bezpieczeństwa	33
7.2	Przepisy, normy i wymogi	33
<b>8.</b>	<b>Opis urządzenia</b>	<b>33</b>
8.1	Zakres dostawy	33
<b>9.</b>	<b>Przygotowania</b>	<b>34</b>
9.1	Miejsce montażu	34
9.2	Instalacja wodna	34
<b>10.</b>	<b>Montaż</b>	<b>35</b>
10.1	Montaż standardowy	35
10.2	Inne sposoby montażu	37
10.3	Zakończenie montażu	38
<b>11.</b>	<b>Uruchomienie</b>	<b>39</b>
11.1	Pierwsze uruchomienie	39
11.2	Ponowne uruchomienie	39
<b>12.</b>	<b>Wyłączenie z eksploatacji</b>	<b>39</b>
<b>13.</b>	<b>Usuwanie usterek</b>	<b>39</b>
<b>14.</b>	<b>Konserwacja</b>	<b>40</b>
<b>15.</b>	<b>Dane techniczne</b>	<b>40</b>
15.1	Wymiary i przyłącza	40
15.2	Schemat połączeń elektrycznych	41
15.3	Wydajność CWU	41
15.4	Zakres pracy / tabela przeliczeniowa	42
15.5	Straty ciśnienia	42
15.6	Warunki awaryjne	42
15.7	Dane dotyczące zużycia energii	42
15.8	Tabela danych	43

## GWARANCJA

## OCHRONA ŚRODOWISKA I RECYCLING

## WSKAZÓWKI SPECJALNE

- Urządzenie może być obsługiwane przez dzieci, które ukończyły 3 lat oraz przez osoby o zmniejszonych zdolnościach fizycznych, sensorycznych lub umysłowych lub osoby nieposiadające odpowiedniego doświadczenia względnie wiedzy, jeżeli są one pod nadzorem lub zostały przeszkolone w zakresie bezpiecznej obsługi urządzenia oraz zrozumiały wynikające stąd niebezpieczeństwa. Urządzenie nie może być używane przez dzieci do zabawy. Czyszczenia oraz konserwacji ze strony użytkownika nie wolno powierzać dzieciom bez nadzoru.
- Podczas pracy temperatura armatury może osiągnąć wartość powyżej 60 °C. W przypadku temperatur wyższych niż 43 °C istnieje niebezpieczeństwo poparzenia.
- Urządzenie nie jest przeznaczone do zasilania w wodę prysznica (tryb prysznica).
- Urządzenie musi mieć możliwość odłączania od sieci elektrycznej za pomocą wielobiegowego wyłącznika z rozwarciem styków wynoszącym min. 3 mm.
- Podane napięcie musi być zgodne z napięciem sieciowym.
- Urządzenie musi być podłączone do przewodu ochronnego.
- Urządzenie musi być trwale podłączone do stałego okablowania.
- Zamocować urządzenie w sposób opisany w rozdziale „Instalacja / Montaż”.
- Nie wolno przekraczać maksymalnego dopuszczalnego ciśnienia (patrz rozdział „Instalacja / Dane techniczne / Tabela danych”).
- Oporność właściwa wody z sieci wodociągowej nie może być niższa niż podana w tabeli (patrz rozdział „Instalacja / Dane techniczne / Tabela danych”).

- Urządzenie opróżniać w sposób opisany w rozdziale „Instalacja / Konserwacja / Opróżnianie urządzenia”.

## OBSŁUGA

### 1. Wskazówki ogólne

Rozdziały „Wskazówki specjalne” i „Obsługa” są przeznaczone dla użytkowników urządzenia i wyspecjalizowanych instalatorów.

Rozdział „Instalacja” przeznaczony jest dla wyspecjalizowanego instalatora.



#### Wskazówka

Przed przystąpieniem do użytkowania należy dokładnie zapoznać się z niniejszą instrukcją i zachować ją do późniejszego wykorzystania.  
W przypadku przekazania produktu innemu użytkownikowi niniejszą instrukcję należy również dołączyć.

#### 1.1 Wskazówki dotyczące bezpieczeństwa

##### 1.1.1 Struktura wskazówek dotyczących bezpieczeństwa



**HASŁO OSTRZEGAWCZE – rodzaj zagrożenia**  
W tym miejscu określone są potencjalne skutki nieprzestrzegania wskazówki dotyczącej bezpieczeństwa.  
▶ W tym miejscu są określone środki zapobiegające zagrożeniu.

##### 1.1.2 Symbole i rodzaje zagrożenia

Symbol	Rodzaj zagrożenia
	Obrażenia ciała
	Porażenie prądem elektrycznym
	Poparzenie (Poparzenie)

##### 1.1.3 Hasła ostrzegawcze

HASŁO OSTRZEGAWCZE	Znaczenie
ZAGROŻENIE	Wskazówki, których nieprzestrzeganie prowadzi do ciężkich obrażeń ciała lub śmierci.
OSTRZEŻENIE	Wskazówki, których nieprzestrzeganie może prowadzić do ciężkich obrażeń ciała lub śmierci.
OSTROŻNIE	Wskazówki, których nieprzestrzeganie może prowadzić do średnich lub lekkich obrażeń ciała.

### 1.2 Inne oznaczenia stosowane w niniejszej dokumentacji



#### Wskazówka

Wskazówki ogólne są oznaczone symbolem umieszczonym obok.  
▶ Należy dokładnie zapoznać się z treścią wskazówek.

Symbol	Znaczenie
	Szkody materialne (uszkodzenia urządzenia, szkody wtórne, szkody dla środowiska naturalnego)
	Utylizacja urządzenia

- ▶ Ten symbol informuje o konieczności wykonania jakiejś czynności. Wymagane czynności opisane są krok po kroku.

### 1.3 Jednostki miar



#### Wskazówka

Jeśli nie określono innych jednostek, wszystkie wymiary podane są w milimetrach.

## 2. Bezpieczeństwo

### 2.1 Użytkowanie zgodne z przeznaczeniem

Urządzenie przeznaczone jest do użytku w budownictwie mieszkaniowym. Może być bezpiecznie użytkowane przez nieprzeszkolone osoby. Urządzenie może być użytkowane również poza budownictwem mieszkaniowym, np. w budynkach gospodarczych i przemysłowych, pod warunkiem użytkowania zgodnego z przeznaczeniem.

Urządzenie ciśnieniowe przeznaczone jest do podgrzewania wody użytkowej. Urządzenie może służyć do zasilania co najmniej jednego punktu poboru wody.

Inne lub wykraczające poza obowiązujące ustalenia użytkowanie traktowane jest jako niezgodne z przeznaczeniem. Do użytkowania zgodnego z przeznaczeniem należy również przestrzeganie niniejszej instrukcji obsługi oraz instrukcji obsługi użytego osprzętu.



#### Wskazówka

Urządzenie nie jest dopuszczone do dogrzewania wstępnie podgrzanej wody.

## 2.2 Ogólne wskazówki dotyczące bezpieczeństwa



### OSTROŻNIE - poparzenie

Podczas pracy temperatura armatury może osiągnąć wartość powyżej 60 °C. W przypadku temperatur wyższych niż 43 °C istnieje niebezpieczeństwo poparzenia.



### OSTRZEŻENIE - obrażenia ciała

Urządzenie może być obsługiwane przez dzieci, które ukończyły 3 lat oraz przez osoby o zmniejszonych zdolnościach fizycznych, sensorycznych lub umysłowych lub osoby nieposiadające odpowiedniego doświadczenia względnie wiedzy, jeżeli są one pod nadzorem lub zostały przeszkolone w zakresie bezpiecznej obsługi urządzenia oraz zrozumiały wynikające stąd niebezpieczeństwa. Urządzenie nie może być używane przez dzieci do zabawy. Czyszczenia oraz konserwacji ze strony użytkownika nie wolno powierzać dzieciom bez nadzoru.



### Szkody materialne

Obowiązkiem użytkownika jest zabezpieczenie urządzenia i armatury przed zamrożeniem.

## 2.3 Znak kontroli

Patrz tabliczka znamionowa na urządzeniu.

## 3. Opis urządzenia

Hydraulicznie sterowany przepływowy ogrzewacz wody nagrzewa wodę przepływającą przez urządzenie. Po otwarciu armatury i przekroczeniu przepływu włączeniowego (patrz rozdział „Dane techniczne / tabela danych”), moc grzejna włącza się automatycznie. Przepływ ciepłej wody i temperaturę można nastawić na armaturze.

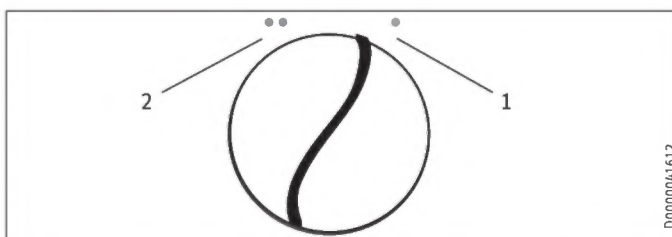
Dostępne są 2 stopnie mocy. 2 wybierane ręcznie, 2 włączane hydraulicznie w zależności od przepływu.

Regulacja przepływu urządzenia kompensuje wahania ciśnienia i zapewnia utrzymanie stałej temperatury. Układ regulacji ogranicza przepływ, gwarantując zawsze wystarczające nagrzewanie wody użytkowej.

### System grzejny

System grzejny z odkrytą grzałką wyposażony jest w płaszcz z tworzywa sztucznego odporny na ciśnienie. W systemie grzejnym można podgrzewać wodę o niskiej i wysokiej zawartości wapnia, ponieważ jest on w dużym stopniu odporny na zwapnienie. System grzejny zapewnia szybkie i wydajne przygotowanie ciepłej wody.

## 4. Nastawy



### 1 Moc częściowa

Przy małej wartości przepływu ustawione zostaje 1/3 mocy grzejnej, a przy dużej wartości przepływu – 2/3 mocy grzejnej. To ustawienie jest przydatne np. do mycia rąk.

### 2 Pełna moc

Przy niskim natężeniu przepływu urządzenie pracuje z połową mocy grzejnej, a przy większym natężeniu przepływu łączana jest pełna moc grzejna. To ustawienie jest przydatne np. do mycia naczyń.

► Ustawić przełącznik nastawy temperatury w żądanej pozycji.

### Zalecane ustawienie przy zastosowaniu armatury termostatycznej

► Nastawić przełącznik nastawy temperatury na pełną moc.

### 4.1 Zalecane nastawienie armatur



#### Wskazówka

Jeżeli przy całkowicie otwartym zaworze poboru wody i pełnej mocy na wylocie nie jest osiągnięta wymagana temperatura, oznacza to, że przez urządzenie przepływa większa ilość wody niż może zostać podgrzana przez grzałkę (granica wydajności urządzenia).

► Należy zredukować przepływ na zaworze poboru wody.

mały przepływ = wysoka temperatura na wylocie

duży przepływ = niska temperatura na wylocie

#### Armatura dwuzaworowa

Stopień mocy	Zakres stosowania
Moc częściowa	Umywalka
Moc pełna	Wanna, zlewozmywak

► Jeżeli temperatura jest za wysoka, a armatura jest całkowicie otwarta, należy domieszać zimną wodę.

#### Armatura jednouchwytowa

Stopień mocy	Zakres stosowania
Moc pełna	wszystkie

► Obrócić dźwignię armatury na najwyższą temperaturę.

► Otwórz całkowicie armaturę.

► Zwiększyć temperaturę na wylocie, powoli zamykając armaturę.

► Ograniczyć temperaturę na wylocie, dodając zimną wodę lub otwierając bardziej armaturę, jeżeli jest to możliwe.

Po przerwie w zaopatrzeniu w wodę



**Szkody materialne**

W przypadku przerwy w dostawie wody należy ponownie uruchomić urządzenie, wykonując poniższe czynności, aby nie uszkodzić systemu grzejnego z odkrytą grzałką.

- ▶ Odłączyć urządzenie od źródła zasilania, wyłączając bezpieczniki.
- ▶ Otworzyć zawór spustowy i odczekać około minuty, aż urządzenie i przewód doprowadzający zimną wodę przed urządzeniem zostaną odpowietrzone.
- ▶ Włączyć ponownie napięcie sieciowe.

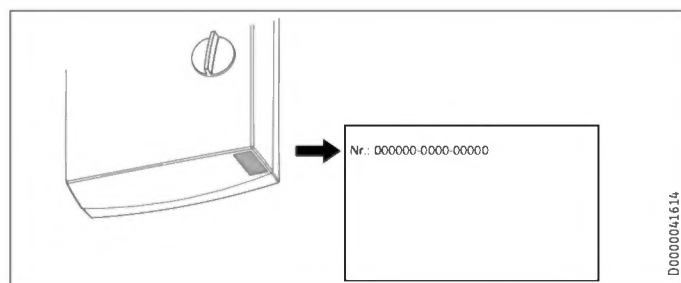
## 5. Czyszczenie i konserwacja

- ▶ Nie wolno używać szorujących, ani rozpuszczających środków czyszczących. Do konserwacji i czyszczenia urządzenia wystarczy wilgotna ściereczka.
- ▶ Należy regularnie sprawdzać stan armatur. Osad z wylotu armatur należy usuwać przy użyciu dostępnych w handlu środków do odkamieniania.

## 6. Usuwanie problemów

Problem	Przyczyna	Usuwanie
Urządzenie nie włącza się, mimo całkowicie otwartej armatury.	Brak napięcia.	Sprawdzić bezpieczniki w instalacji domowej.
	Wielkość przepływu jest za mała. Regulator strumienia w armaturze.	Wyczyścić i / lub odkamienić regulator strumienia.

Jeśli nie można usunąć przyczyny usterki, należy wezwać wyspecjalizowanego instalatora. W celu usprawnienia i przyspieszenia pomocy należy podać numer urządzenia z tabliczki znamionowej (000000-0000-00000):



# INSTALACJA

## 7. Bezpieczeństwo

Instalacja, uruchomienie, jak również konserwacja i naprawa urządzenia mogą być wykonane wyłącznie przez wyspecjalizowanego instalatora.

### 7.1 Ogólne wskazówki dotyczące bezpieczeństwa

Producent zapewnia prawidłowe działanie i bezpieczeństwo eksploatacji tylko w przypadku stosowania oryginalnego osprzętu, przeznaczonego do tego urządzenia, oraz oryginalnych części zamiennych.



**Szkody materialne**

Nie wolno przekraczać maksymalnej temperatury na zasilaniu urządzenia. Przy wyższych temperaturach może nastąpić uszkodzenie urządzenia. Poprzez montaż centralnej armatury termostatycznej można ograniczyć maksymalną temperaturę wody na zasilaniu urządzenia.

### 7.2 Przepisy, normy i wymagania



**Wskazówka**

Należy przestrzegać krajowych i lokalnych przepisów oraz wymogów.

- Stopień ochrony IP 25 (ochrona strugoszczelna) jest zapewniony tylko przy prawidłowo zamontowanej osłonie przewodu.
- Właściwa oporność elektryczna wody nie może być mniejsza niż podana na tabliczce znamionowej. W przypadku sieci wodociągowej należy uwzględnić najniższą oporność elektryczną wody (patrz rozdział „Dane techniczne / Zakres pracy / Tabela przeliczeniowa”). Informacje o właściwej oporności elektrycznej lub elektrycznej przewodności wody można uzyskać w miejscowym zakładzie wodociągów.

## 8. Opis urządzenia

### 8.1 Zakres dostawy

Z urządzeniem dostarczane są:

- Uchwyt ścienny
- Sworzeń gwintowany do zawieszenia na ścianie
- Szablon montażowy
- 2 złączki podwójne (woda zimna z zaworem odcinającym)
- Uszczelki płaskie
- Osłona przewodu (do górnego/dolnego elektrycznego przewodu zasilającego)
- Śruby/kołki do mocowania ściany tylnej w przypadku natynkowego podłączenia wody

Do wymiany urządzenia:

- 2 przedłużenia z zaworami

### 9. Przygotowania

#### 9.1 Miejsce montażu



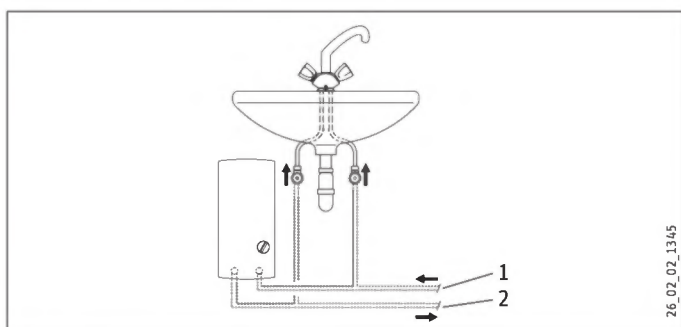
##### Szkody materialne

Urządzenie należy zainstalować w pomieszczeniu, w którym nie istnieje ryzyko zamarznięcia.

- ▶ Urządzenie należy zamontować pionowo, w pobliżu punktu poboru wody.

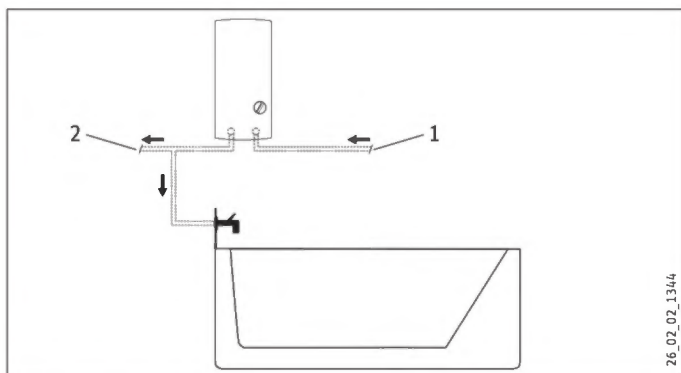
Urządzenie jest dostosowane do instalacji poniżej lub powyżej punktu poboru wody.

##### Montaż poniżej punktu poboru wody



- 1 Zimna woda, zasilanie
- 2 Ciepła woda, wyjście

##### Montaż powyżej punktu poboru wody



- 1 Zimna woda, zasilanie
- 2 Ciepła woda, wyjście



##### Wskazówka

- ▶ Zamontować urządzenie na ścianie. Ściana musi posiadać odpowiednią nośność.

#### 9.2 Instalacja wodna

- Praca z wstępnie podgrzaną wodą jest niedopuszczalna.
- Zawór bezpieczeństwa nie jest wymagany.
- W przewodzie ciepłej wody stosowanie zaworów bezpieczeństwa jest niedopuszczalne.
- ▶ Przepłukać dokładnie instalację wodną.
- ▶ Upewnić się, że osiągnięty został strumień przepływu (patrz rozdział „Dane techniczne / Tabela danych”, Zał.) niezbędny do załączenia się urządzenia. Zwiększyć ciśnienie w instalacji wodnej, jeśli nie można uzyskać wymaganego strumienia przepływu przy całkowicie otwartym zaworze poboru.

##### Armatury

Należy stosować odpowiednie armatury ciśnieniowe. Nie wolno stosować armatur bezciśnieniowych.

Armatury termostaticzne muszą być przeznaczone do stosowania z hydraulicznie sterowanymi przepływowymi ogrzewaczami wody.



##### Wskazówka

Nie używać zaworu odcinającego na zasilaniu zimnej do urządzenia do tłumienia przepływu. Zadaniem tego zaworu jest odcinanie urządzenia.

##### Dopuszczalne materiały rur wodociągowych

- Przewód doptywu zimnej wody:  
rurka stalowa ocynkowana ogniowo, rurka ze stali nierdzewnej, rurka miedziana lub rurka z tworzywa sztucznego
- Rurka wyjścia ciepłej wody:  
Rurka ze stali nierdzewnej, rurka miedziana lub rurka z tworzywa sztucznego



##### Szkody materialne

Przy stosowaniu rur z tworzywa sztucznego należy przestrzegać maksymalnej temperatury zasilania i maksymalnego dopuszczalnego ciśnienia (patrz rozdział „Dane techniczne / Tabela danych”).

##### Elastyczne przewody przyłączeniowe wody

- ▶ Nie dopuszczać do przekręcania kolanek rurowych przy instalacji w urządzeniu z elastycznymi przewodami przyłączeniowymi wody łączonymi zatraskowo.
- ▶ Przymocować tylną ściankę na dole przy użyciu dodatkowych śrub.

### 10. Montaż

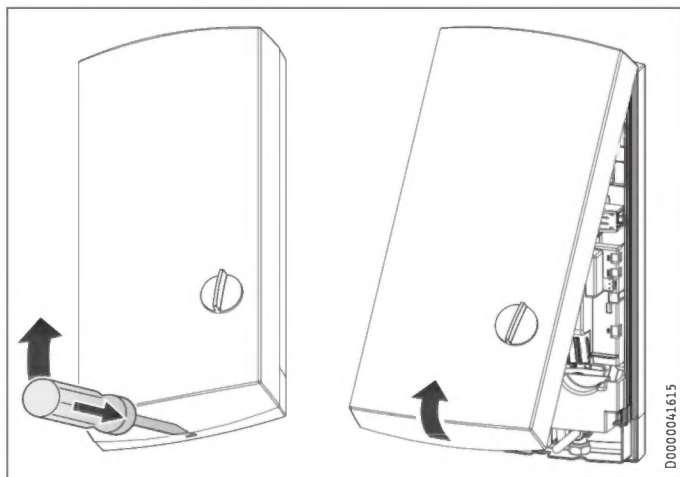
#### 10.1 Montaż standardowy

- Przyłącze elektryczne u góry, instalacja podtynkowa
- Przyłącze wody, instalacja podtynkowa

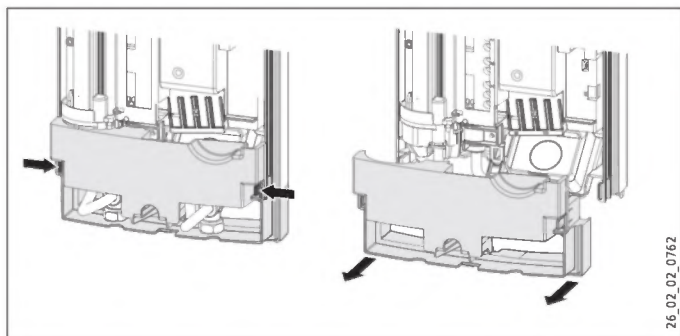
Opis innych sposobów montażu zawiera rozdział „Inne sposoby montażu”:

- Podtynkowe przyłącze elektryczne na dole
- Przyłącze elektryczne natynkowe
- Podłączenie przełącznika priorytetu
- Natynkowa instalacja wodna
- Podtynkowe przyłącze wody przy wymianie urządzenia

#### Otwieranie urządzenia

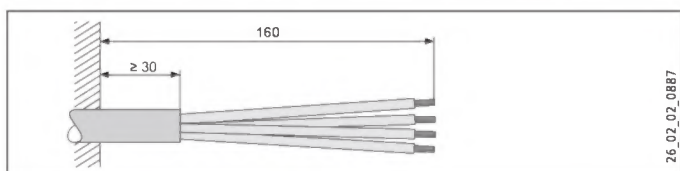


- ▶ Otworzyć urządzenie, odblokowując blokadę zatrzaskową.

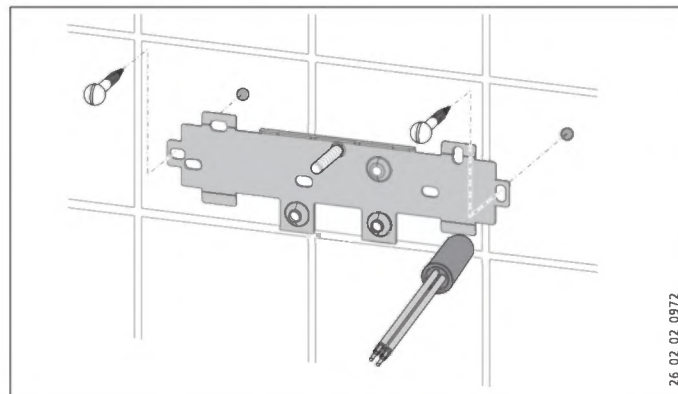


- ▶ Zdjąć ściankę tylną, naciskając oba haczyki blokujące i pociągając dolną część ścianki tylnej do przodu.

#### Przygotowanie sieciowego przewodu przyłączeniowego

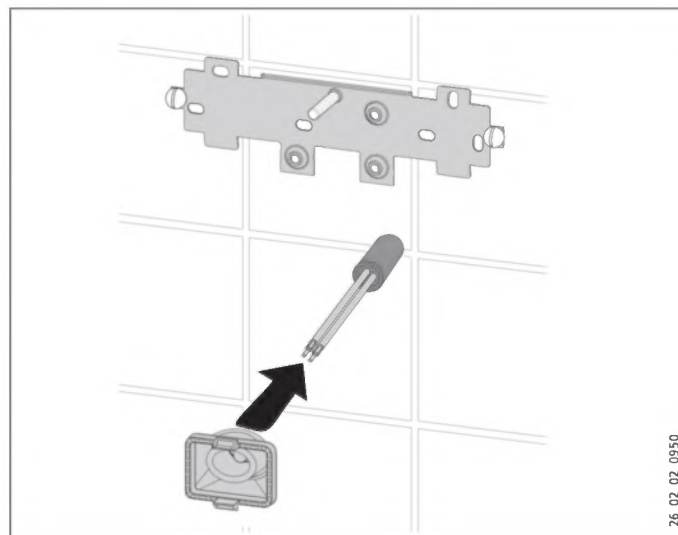


#### Mocowanie uchwyty ściennego



- ▶ Za pomocą szablonu montażowego zaznaczyć otwory do wywiercenia. W przypadku montażu urządzenia z przyłączami wody umieszczonymi na tynku należy dodatkowo oznaczyć otwory mocujące w dolnej części szablonu.
- ▶ Wywiercić otwory i zamocować listwę do zawieszenia na ścianie za pomocą 2 wkrętów i 2 kołków rozporowych (wkręty i kołki rozporowe nie są objęte zakresem dostawy).
- ▶ Zamontować dołączony sworzeń gwintowany.
- ▶ Zamontować uchwyt ścienny na ścianie.

#### Montaż osłony przewodu



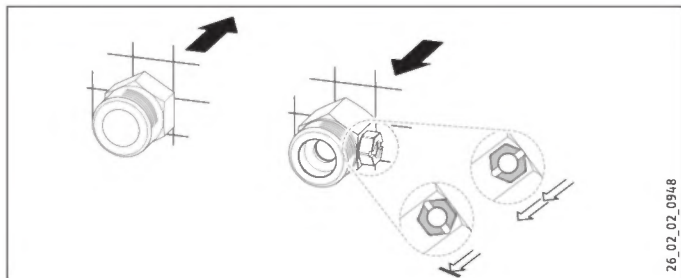
- ▶ Zamontować osłonę przewodu. Przy przekroju  $> 6 \text{ mm}^2$  powiększyć otwór w osłonie przewodu.

# INSTALACJA

## Montaż

### Wykonać podłączenie wodne

- !** **Szkody materialne**  
Wszystkie prace w zakresie podłączania wody i prace instalacyjne należy wykonywać zgodnie z przepisami.

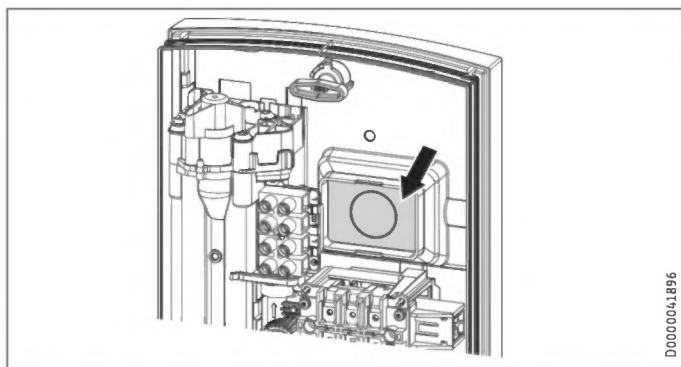


- Uszczelnić i wkręcić złączkę podwójną.

- !** **Szkody materialne**  
Nie używać zaworu odcinającego na zasileniu zimnej do urządzenia do tłumienia przepływu.

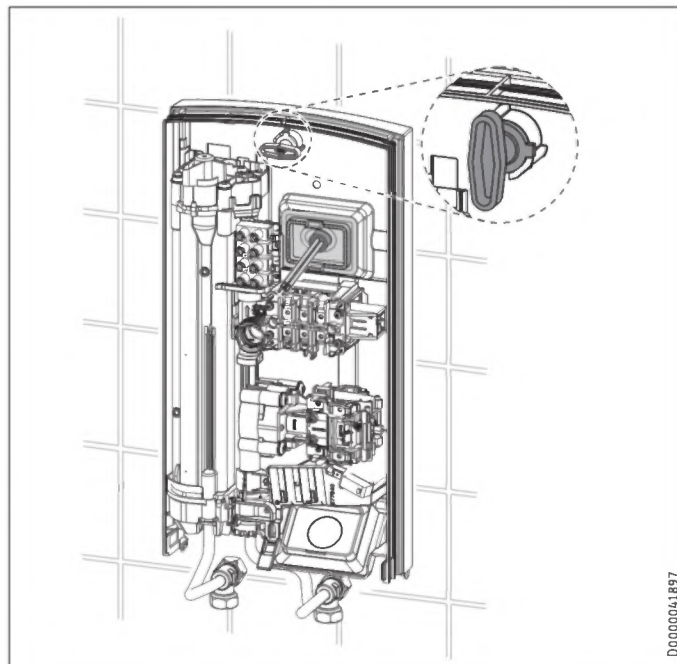
### Przygotowanie do montażu tylnej ścianki

- !** **Szkody materialne**  
W razie przygotowania nieodpowiedniego otworu w ścianie tylnej, należy użyć nowej ścianki tylnej!

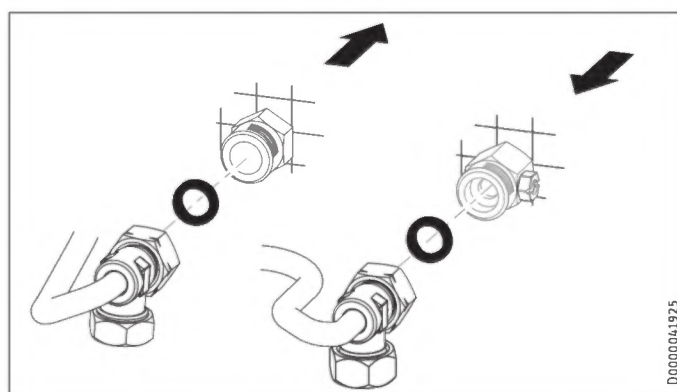


- W odpowiednich miejscach tylnej ścianki przygotować otwór dla osłony przewodu. W razie potrzeby wygładzić ostre krawędzie pilnikiem.

### Montaż urządzenia



- Założyć tylną ściankę na sworzень gwintowany i osłonę przewodu. Przy użyciu szczypiec pociągnąć osłonę przewodu za haczyki blokujące do tylnej ścianki, aż haczyki zostaną zablokowane w słyszalny sposób.
- Usunąć zabezpieczające zatyczki transportowe z przyłączy wody.
- Docisnąć mocno tylną ściankę i zablokować przetyczkę mocującą, obracając ją w prawo o 90°.



- Przykręcić rurki przyłączeniowe wody z uszczelkami płaskimi do złączek podwójnych.

- !** **Szkody materialne**  
Przy eksploatacji urządzenia sitko musi być zamontowane.
- Przy wymianie urządzenia sprawdzać, obecność sitka (patrz rozdział „Konserwacja”).

### Wykonanie przyłącza elektrycznego



**OSTRZEŻENIE - porażenie prądem elektrycznym**  
Wszystkie elektryczne prace przyłączeniowe i instalacyjne należy wykonywać zgodnie z przepisami.



**OSTRZEŻENIE - porażenie prądem elektrycznym**  
Podłączenie do sieci elektrycznej jest dopuszczalne tylko w postaci przyłącza stałego, w połączeniu z wymiową osłoną przewodu. Urządzenie musi mieć możliwość odłączania od sieci elektrycznej za pomocą wielobiegunowego wyłącznika z rozwarciem styków wynoszącym min. 3 mm.



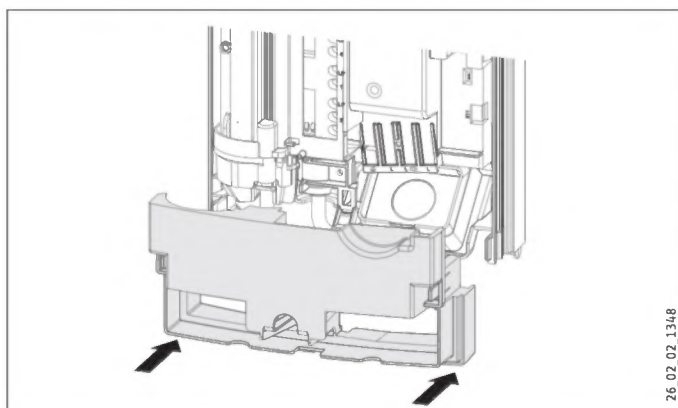
**OSTRZEŻENIE - porażenie prądem elektrycznym**  
Zwrócić uwagę, aby urządzenie zostało podłączone do przewodu ochronnego.



**Szkody materialne**  
Zwrócić uwagę na treść tabliczki znamionowej. Podane napięcie musi być zgodne z napięciem sieciowym.

- ▶ Podłączyć elektryczny przewód przyłączeniowy do zacisku sieciowego (patrz rozdział „Dane techniczne / Schemat połączeń”).

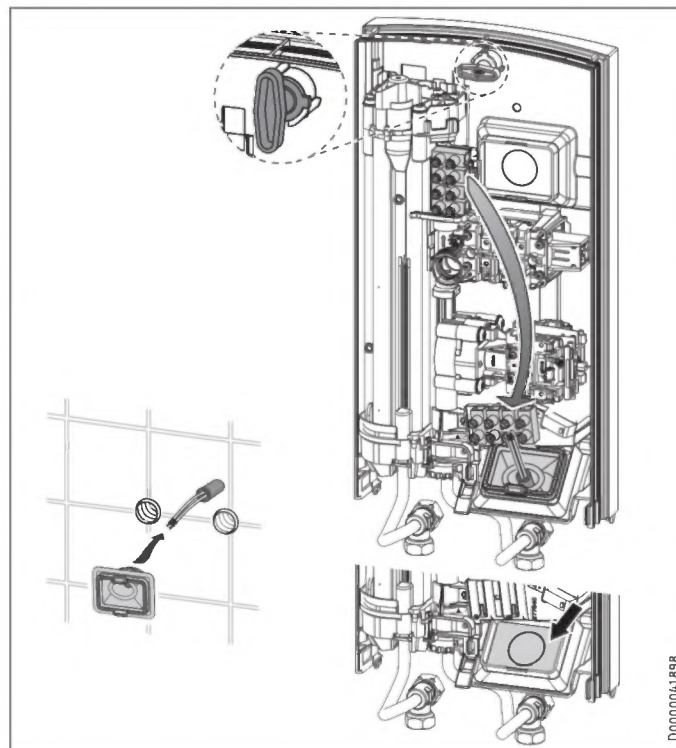
### Montaż dolnej części tylnej ścianki



- ▶ Zamontować dolną część do ściany tylnej i zaczepić ją.
- ▶ Wyrównać zamontowane urządzenie, zwalniając przetyczkę mocującą, wyrównując przyłącze elektryczne i tylną ściankę, a następnie z powrotem dokręcając przetyczkę mocującą. Jeżeli tylna ścianka urządzenia nie przylega równo, zamocować urządzenie przy użyciu dwóch dodatkowych wkrętów.

## 10.2 Inne sposoby montażu

### 10.2.1 Podtynkowe przyłącze elektryczne na dole



- ▶ Zamontować osłonę przewodu.



**Szkody materialne**  
W razie przygotowania nieodpowiedniego otworu w ścianie tylnej, należy użyć nowej ścianki tylnej!

- ▶ W odpowiednich miejscach tylnej ścianki przygotować otwór dla osłony przewodu. W razie potrzeby wygładzić ostre krawędzie pilnikiem.
- ▶ Przełożyć zacisk sieciowy w urządzeniu z góry do dołu.
- ▶ Założyć tylną ściankę na sworzeń gwintowany i osłonę przewodu. Przy użyciu szczypiec pociągnąć osłonę przewodu za haczyki blokujące do tylnej ścianki, aż haczyki zostaną zablokowane w słyszalny sposób.
- ▶ Docisnąć mocno tylną ściankę i zablokować przetyczkę mocującą, obracając ją w prawo o 90°.

### 10.2.2 Przyłącze elektryczne natynkowe



#### Wskazówka

Przy takim sposobie podłączenia zmienia się stopień ochrony urządzenia.

- ▶ Zmienić zapis na tabliczce znamionowej. Skreślić „IP 25” i zaznaczyć pole „IP 24”. Do tego celu użyć długopisu.



#### Szkody materialne

W razie przygotowania nieodpowiedniego otworu w ścianie tylnej, należy użyć nowej ścianki tylnej!

- ▶ Wyciąć lub równo wyłamać niezbędny przepust w tylnej ścianie (pozycje patrz rozdział „Dane techniczne / Wymiary i przyłącza”). W razie potrzeby wygładzić ostre krawędzie pilnikiem.
- ▶ Przeciągnąć elektryczny przewód przyłączeniowy przez osłonę przewodu i podłączyć go do zacisku sieciowego.

### 10.2.3 Podłączenie przełącznika priorytetu

W przypadku stosowania innych urządzeń elektrycznych dużej mocy może zaistnieć potrzeba zainstalowania przełącznika priorytetu montowanego w rozdzielni elektrycznej. W tym przypadku praca innych urządzeń podłączonych do przełącznika będzie wstrzymywana na czas pracy ogrzewacza.



#### Szkody materialne

Fazę włączającą przełącznik priorytetu należy podłączyć do odpowiednio oznaczonego zacisku sieciowego w urządzeniu (patrz rozdział „Dane techniczne / Schemat połączeń”).

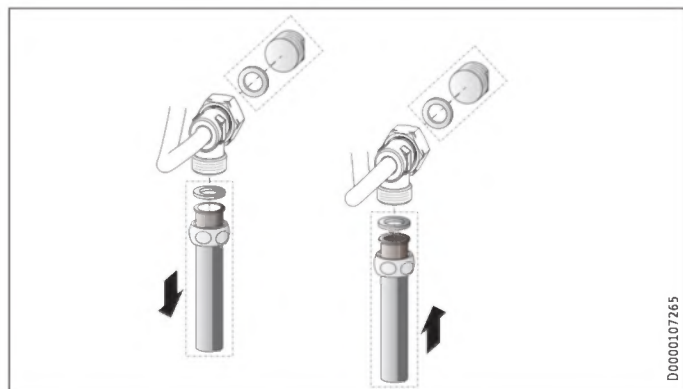
### 10.2.4 Natynkowa instalacja wodna



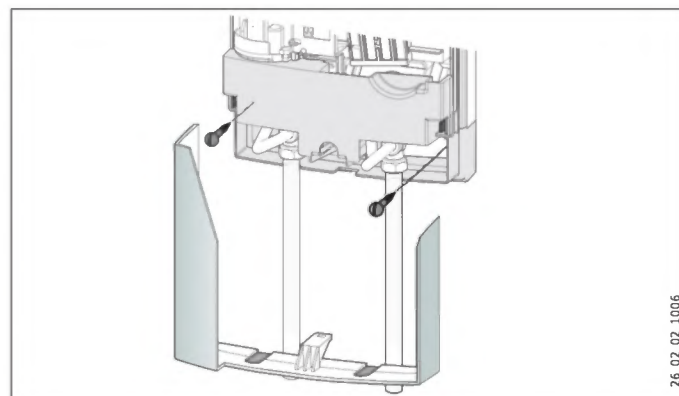
#### Wskazówka

Przy takim sposobie podłączenia zmienia się stopień ochrony urządzenia.

- ▶ Zmienić zapis na tabliczce znamionowej. Skreślić „IP 25” i zaznaczyć pole „IP 24”. Do tego celu użyć długopisu.



- ▶ Zamontować korki z uszczelkami, aby zamknąć przyłącze podtynkowe.
- ▶ Zamontować odpowiednią armaturę ciśnieniową.



26\_02\_02\_1006

- ▶ Przymocować tylną ściankę na dole przy użyciu dodatkowych śrub.
- ▶ Wsunąć dolną część tylnej ścianki pod rurki przyłączeniowe armatury i zaczepić ją.
- ▶ Przykręcić rurki przyłączeniowe do urządzenia.



#### Szkody materialne

W razie przygotowania nieodpowiedniego otworu w pokrywie urządzenia należy użyć nowej pokrywy!

- ▶ Dokładnie wyłamać otwory przelotowe w pokrywie urządzenia. W razie potrzeby wygładzić ostre krawędzie pilnikiem.

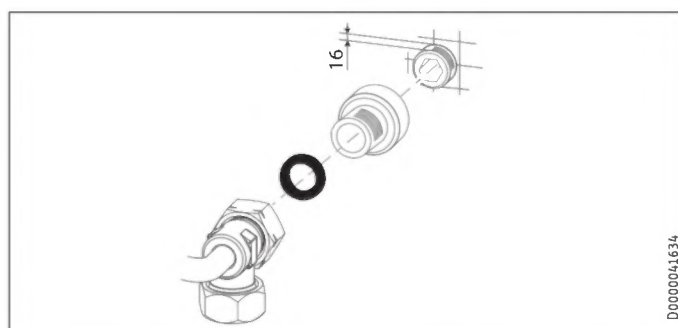
### 10.2.5 Podtynkowe przyłącze wody przy wymianie urządzenia

Jeżeli złączki podwójne pozostałe po poprzednim urządzeniu wystają tylko ok. 16 mm ze ściany, nie można użyć dostarczonej złączki podwójnej.



#### Wskazówka

W przypadku tego przyłącza, odcięcie dopływu zimnej wody jest możliwe tylko w instalacji domowej.



D0000041634

- ▶ Uszczelnić i wkręcić dostarczone przedłużenia armatury.
- ▶ Podłączyć urządzenie.

### 10.3 Zakończenie montażu

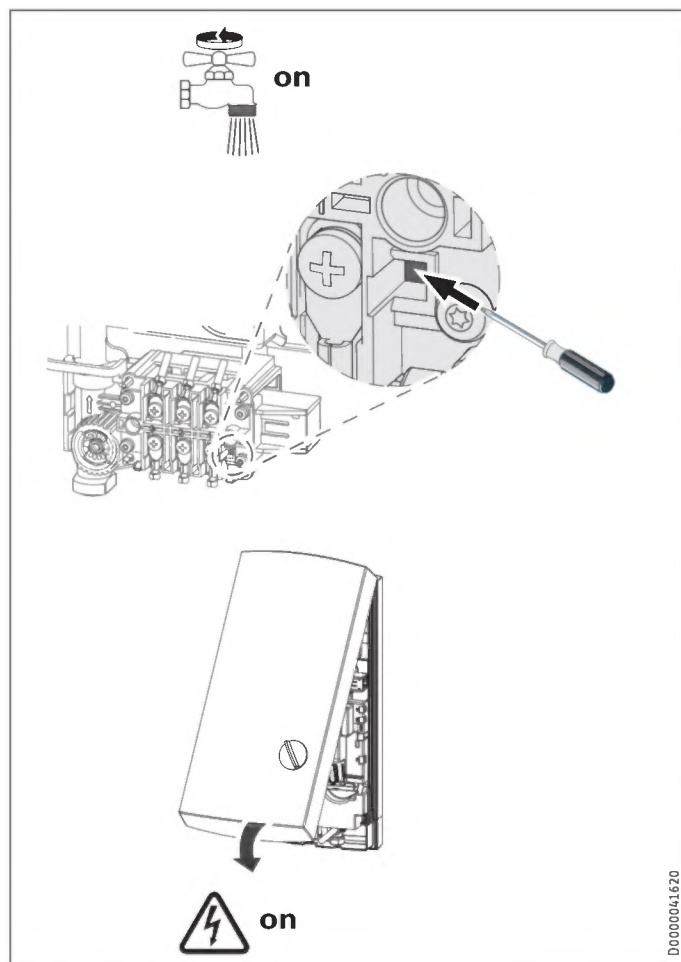
- ▶ Otworzyć zawór odcinający w złączce podwójnej lub przewodzie doprowadzającym zimną wodę.

### 11. Uruchomienie



**OSTRZEŻENIE** - porażenie prądem elektrycznym  
Uruchomienie może zostać przeprowadzone wyłącznie przez wyspecjalizowanego Instalatora lub Serwisanta, z zachowaniem przepisów bezpieczeństwa.

#### 11.1 Pierwsze uruchomienie



- ▶ Kilkakrotnie otworzyć i zamknąć wszystkie podłączone armatury poboru wody, aż do usunięcia całego powietrza z urządzenia i instalacji.
- ▶ Przeprowadzić kontrolę szczelności.
- ▶ Uaktywować ogranicznik ciśnienia bezpieczeństwa, wciskając na stałe przycisk resetowania (urządzenie dostarczane jest z nieaktywnym ogranicznikiem ciśnienia bezpieczeństwa).
- ▶ Zamontować pokrywę urządzenia, aż zatrzaśnie się w sposób słyszalny. Sprawdzić prawidłowe osadzenie pokrywy urządzenia.
- ▶ Włączyć napięcie sieci.
- ▶ Sprawdzić prawidłowość pracy urządzenia.

#### Przekazanie urządzenia

- ▶ Objasnić użytkownikowi sposób działania urządzenia i zapoznać go ze sposobem użytkowania.
- ▶ Poinformować użytkownika o potencjalnych zagrożeniach, zwłaszcza o niebezpieczeństwie poparzenia.
- ▶ Przekazać niniejszą instrukcję.

#### 11.2 Ponowne uruchomienie

Odpowietrzyć urządzenie i przewód doprowadzający wody zimnej (patrz rozdział „Nastawy”).

Patrz rozdział „Pierwsze uruchomienie”.

### 12. Wyłączenie z eksploatacji

- ▶ Odłączyć urządzenie na wszystkich biegunach od przyłącza sieciowego.
- ▶ Opróżnić urządzenie (patrz rozdział „Konserwacja”).

### 13. Usuwanie usterek

Usterka	Przyczyna	Usuwanie
Zbyt mały przepływ.	Zanieczyszczone sitko w urządzeniu.	Wyczyścić sitko.
Grzałki nie włączają się mimo całkowicie otwartej armatury.	Nie został osiągnięty przepływ wody wymagana do włączenia mocy grzejnej.	Wyczyścić sitko.
Mimo słyszalnego dźwięku zadziałania przełącznika różnicowo-ciśnieniowego urządzenie nie wytwarza wody ciepłej.	Ciśnieniowy wyłącznik bezpieczeństwa (AP 3) spowodował wyłączenie urządzenia ze względów bezpieczeństwa.	Usunąć przyczynę błędu (na przykład uszkodzona turbinka kontroli ciśnienia).  Zabezpieczyć system grzejny przed przegrzaniem, otwierając na minutę armaturę poboru znajdującą się za urządzeniem. Powoduje to zredukowanie ciśnienia i schłodzenie systemu grzejnego.  Aktywować ogranicznik ciśnienia bezpieczeństwa przy ciśnieniu przepływu, naciskając przycisk odblokowania (patrz rozdział „Pierwsze uruchomienie”).
	System grzejny jest uszkodzony.	Zmierzyć oporność systemu grzejnego, ew. wymienić.

### 14. Konserwacja



**OSTRZEŻENIE** - porażenie prądem elektrycznym  
Przed przystąpieniem do wszelkich prac należy odłączyć urządzenie na wszystkich biegunach od sieci.

#### Opróżnianie urządzenia

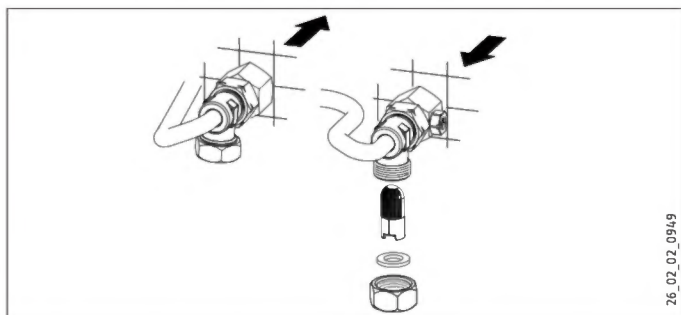
Urządzenie można opróżnić do celów konserwacyjnych.



**OSTRZEŻENIE** - poparzenie  
Podczas opróżniania urządzenia może wypłynąć gorąca woda.

- ▶ Zamknąć zawór odcinający w złącze podwójnej lub przewodzie doprowadzającym zimną wodę.
- ▶ Otworzyć wszystkie armatury poboru wody.
- ▶ Odkręcić przyłącza wody od urządzenia.
- ▶ Zdemontowane urządzenie przechowywać w miejscu zabezpieczonym przed mrozem, ponieważ resztki wody pozostałe w urządzeniu mogą doprowadzić do jego zamarznięcia i uszkodzenia.

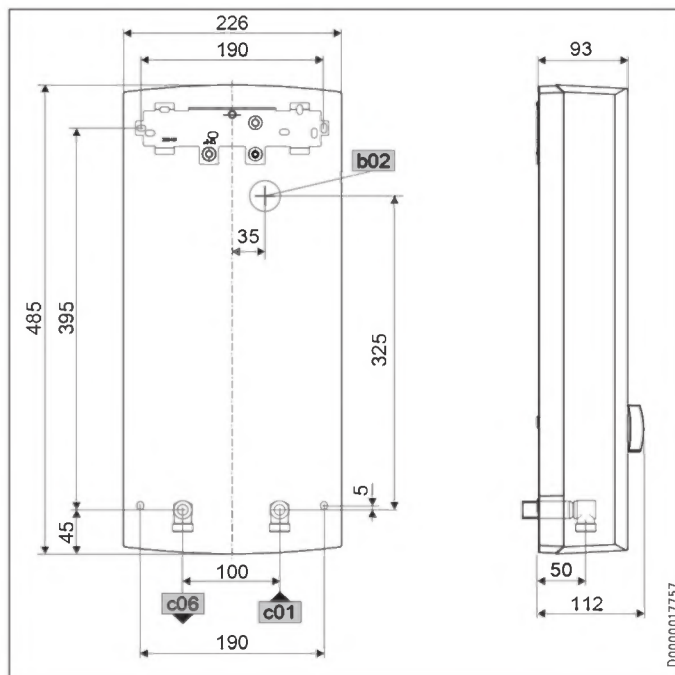
#### Czyszczenie sitka



W razie zabrudzenia, oczyścić sitko w przyłączy zimnej wody. Podłączyć zawór odcinający przewodu doprowadzającego wody zimnej przez wymontowaniem, oczyszczeniem i ponownym zamontowaniem sitka.

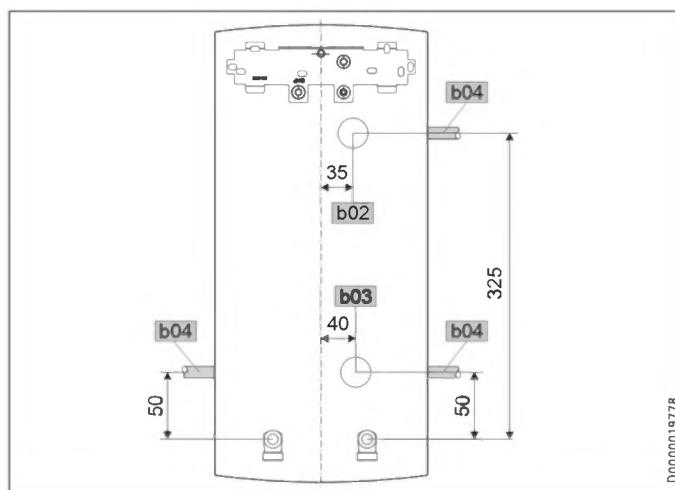
### 15. Dane techniczne

#### 15.1 Wymiary i przyłącza



b02	Przepust na przewody elektryczne I		
c01	Zimna woda, zasilanie	Gwint zewnętrzny	G 1/2 A
c06	Ciepła woda, wyjście	Gwint zewnętrzny	G 1/2 A

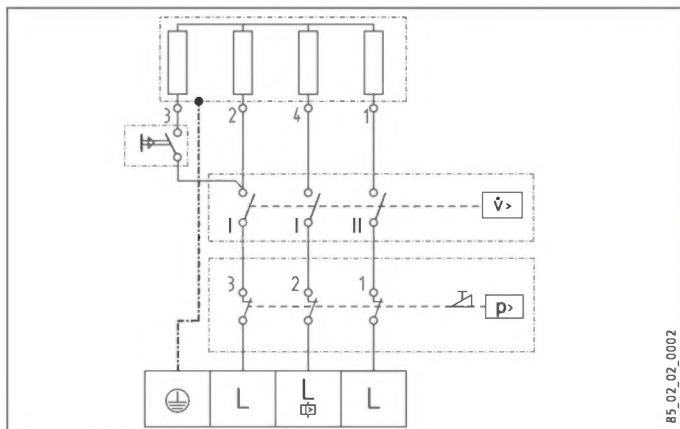
#### Inne możliwości podłączenia



b02	Przepust na przewody elektryczne I		
b03	Przepust na przewody elektryczne II		
b04	Przepust na przewody elektryczne III		

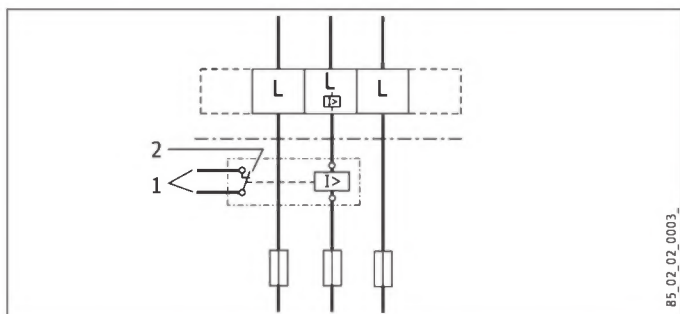
### 15.2 Schemat połączeń elektrycznych

3/PE ~ 380 - 400 V



- 1 Grzałki
- 2 Ogranicznik temperatury bezpieczeństwa
- 3 Ogranicznik ciśnienia bezpieczeństwa

### Przełączanie priorytetowe za pomocą LR 1-A



- 1 Przewód sterujący do stycznika drugiego urządzenia (np. elektrycznego pieca akumulacyjnego).
- 2 Zestyk sterujący otwiera się po włączeniu przepływowego ogrzewacza wody.

### 15.3 Wydajność CWU

Wydajność ciepłej wody zależy od doprowadzonego napięcia sieciowego, mocy przyłączeniowej urządzenia i temperatury zimnej wody na zasilaniu urządzenia. Napięcie znamionowe oraz moc znamionowa należy odczytać z tabliczki znamionowej (patrz rozdział „Usuwanie problemów”).

Moc przyłączeniowa w kW 38 °C – wydajność ciepłej wody w L/min.

	Napięcie znamionowe		Temperatura zimnej wody na zasilaniu			
	380 V	400 V	5 °C	10 °C	15 °C	20 °C
<b>PHB 13</b>						
I maks.	9,6		4,2	4,9	6,0	7,6
I maks.		10,6	4,6	5,4	6,6	8,4
II maks.	12,2		5,3	6,2	7,6	9,7
II maks.		13,5	5,8	6,9	8,4	10,7
<b>PHB 18</b>						
I maks.	12,9		5,6	6,6	8,0	10,2
I maks.		14,3	6,2	7,3	8,9	11,3
II maks.	16,3		7,1	8,3	10,1	12,9
II maks.		18	7,8	9,2	11,2	14,3
<b>PHB 21</b>						
I maks.	15,2		6,6	7,8	9,4	12,1
I maks.		16,8	7,3	8,6	10,4	13,3
II maks.	19		8,2	9,7	11,8	15,1
II maks.		21	9,1	10,7	13,0	16,7
<b>PHB 24</b>						
I maks.	17,1		7,4	8,7	10,6	13,6
I maks.		19	8,2	9,7	11,8	15,1
II maks.	21,7		9,4	11,1	13,5	17,2
II maks.		24	10,4	12,2	14,9	19,0

Moc przyłączeniowa w kW 50 °C – wydajność ciepłej wody w L/min.

	Napięcie znamionowe		Temperatura zimnej wody na zasilaniu			
	380 V	400 V	5 °C	10 °C	15 °C	20 °C
<b>PHB 13</b>						
I maks.	9,6		3,0	3,4	3,9	4,6
I maks.		10,6	3,4	3,8	4,3	5,0
II maks.	12,2		3,9	4,4	5,0	5,8
II maks.		13,5	4,3	4,8	5,5	6,4
<b>PHB 18</b>						
I maks.	12,9		4,1	4,6	5,3	6,1
I maks.		14,3	4,5	5,1	5,8	6,8
II maks.	16,3		5,2	5,8	6,7	7,8
II maks.		18	5,7	6,4	7,3	8,6
<b>PHB 21</b>						
I maks.	15,2		4,8	5,4	6,2	7,2
I maks.		16,8	5,3	6,0	6,9	8,0
II maks.	19		6,0	6,8	7,8	9,0
II maks.		21	6,7	7,5	8,6	10,0
<b>PHB 24</b>						
I maks.	17,1		5,4	6,1	7,0	8,1
I maks.		19	6,0	6,8	7,8	9,0
II maks.	21,7		6,9	7,8	8,9	10,3
II maks.		24	7,6	8,6	9,8	11,4

# INSTALACJA

## Dane techniczne

### 15.4 Zakres pracy / tabela przeliczeniowa

Oporność elektryczna właściwy i przewodność elektryczna właściwa, patrz rozdział „Tabela danych”.

Wartość znamionowa przy 15 °C			20 °C			25 °C		
Oporność $\rho \geq$	Przewodność $\sigma \leq$		Oporność $\rho \geq$	Przewodność $\sigma \leq$		Oporność $\rho \geq$	Przewodność $\sigma \leq$	
$\Omega \text{ cm}$	$\text{mS/m}$	$\mu\text{S/cm}$	$\Omega \text{ cm}$	$\text{mS/m}$	$\mu\text{S/cm}$	$\Omega \text{ cm}$	$\text{mS/m}$	$\mu\text{S/cm}$
900	111	1111	800	125	1250	735	136	1361

### 15.5 Straty ciśnienia

#### Armatury

Strata ciśnienia w armaturze, przy przepływie 10 l/min	
Jednouchwytowa armatura mieszająca, ok.	MPa 0,04 - 0,08
Armatura termostatyczna, ok.	MPa 0,03 - 0,05
Natrysk ręczny, ok.	MPa 0,03 - 0,15

#### Wymiarowanie sieci rur

Do zaprojektowania sieci rur zaleca się uwzględnienie dla urządzenia straty ciśnienia wynoszącej 0,1 MPa.

### 15.6 Warunki awaryjne

W razie awarii w instalacji mogą chwilowo występować obciążenia maks. 95 °C przy ciśnieniu 1,2 MPa.

### 15.7 Dane dotyczące zużycia energii

Karta danych produktu: Konwencjonalny podgrzewacz ciepłej wody użytkowej zgodnie z rozporządzeniem (UE) nr 812/2013 i 814/2013

		PHB 13	PHB 18	PHB 21	PHB 24
		233998	233999	234000	234001
Producent		STIEBEL ELTRON	STIEBEL ELTRON	STIEBEL ELTRON	STIEBEL ELTRON
Profil obciążeń		XS	S	S	S
Klasa efektywności energetycznej		A	A	A	A
Sprawność energetyczna	%	39	38	38	38
Roczne zużycie prądu	kWh	469	483	483	483
Poziom mocy akustycznej	dB(A)	15	15	15	15
Szczególne uwagi dotyczące pomiaru efektywności		Brak	Brak	Brak	Brak
Dzienne zużycie prądu	kWh	2,148	2,215	2,197	2,186

## Dane techniczne

### 15.8 Tabela danych

		PHB 13	PHB 18	PHB 21	PHB 24
		233998	233999	234000	234001
<b>Dane elektryczne</b>					
Napięcie znamionowe	V	380	400	380	400
Moc znamionowa, stopień I, min.	kW	4,2	4,6	5,7	6,3
Moc znamionowa, stopień I, maks.	kW	9,6	10,6	12,9	14,3
Maks. moc znamionowa, stopień II, min.	kW	6,1	6,8	8,3	9,2
Moc znamionowa, stopień II, maks.	kW	12,2	13,5	16,3	18
Prąd znamionowy	A	18,5	19,5	24,7	26
Zabezpieczenie	A	20	20	25	25
Fazy		3/PE	3/PE	3/PE	3/PE
Częstotliwość	Hz	50/60	50/60	50/60	50/60
Oporność właściwa $\rho_{15} \geq$	$\Omega$ cm	900	900	900	900
Przewodność właściwa $\sigma_{15} \leq$	$\mu$ S/cm	1111	1111	1111	1111
<b>Wykonania</b>					
Kolor		Biały	Biały	Biały	Biały
Stopień ochrony (IP)		IP25	IP25	IP25	IP25
Wytwornica ciepła systemu grzejnego		Z odkrytą grzałką	Z odkrytą grzałką	Z odkrytą grzałką	Z odkrytą grzałką
<b>Przyłącza</b>					
Przyłącze wody		G 1/2 A	G 1/2 A	G 1/2 A	G 1/2 A
<b>Granice stosowania</b>					
Maks. dopuszczalne ciśnienie	MPa	1	1	1	1
<b>Parametry</b>					
Maks. dopuszczalna temperatura wody na zasilaniu	$^{\circ}$ C	25	25	25	25
Spadek ciśnienia przy przepływie	MPa	0,09	0,11	0,13	0,15
Przepływ przy spadku ciśnienia	l/min	3,9	4,5	5,6	6,3
Ograniczenie strumienia przepływu przy	l/min	4,7	5,9	7,0	7,8
Wydaźność CWU	l/min	7,0	9,4	11,1	12,5
$\Delta\theta$ przy wydaźności	K	26	26	26	26
<b>Dane hydrauliczne</b>					
Pojemność znamionowa	l	0,4	0,4	0,4	0,4
<b>Wymiary</b>					
Wysokość	mm	485	485	485	485
Szerokość	mm	226	226	226	226
Głębokość	mm	93	93	93	93
<b>Masy</b>					
Masa	kg	3,6	3,6	3,6	3,6



#### Wskazówka

Urządzenie jest zgodne z IEC 61000-3-12.

## Gwarancja

Urządzeń zakupionych poza granicami Niemiec nie obejmują warunki gwarancji naszych niemieckich spółek. Ponadto w krajach, w których jedna z naszych spółek córek jest dystrybutorem naszych produktów, gwarancji może udzielić wyłącznie ta spółka. Taka gwarancja obowiązuje tylko wówczas, gdy spółka-córka sformułowała własne warunki gwarancji. W innych przypadkach gwarancja nie jest udzielana.

Nie udzielamy gwarancji na urządzenia zakupione w krajach, w których żadna z naszych spółek córek nie jest dystrybutorem naszych produktów. Ewentualne gwarancje udzielone przez importera zachowują ważność.

## Ochrona środowiska i recycling

Pomóż chronić środowisko naturalne. Materiały po wykorzystaniu należy utylizować zgodnie z krajowymi przepisami.

## UDHËZIME TË VEÇANTA

### PËRDORIMI

<b>1.</b>	<b>Udhëzime të përgjithshme</b>	<b>45</b>
1.1	Udhëzimet e sigurisë	45
1.2	Shënime të tjera në këtë dokumentacion	45
1.3	Njësitë matëse	45
<b>2.</b>	<b>Siguria</b>	<b>45</b>
2.1	Përdorimi sipas përcaktimeve	45
2.2	Udhëzimet e përgjithshme të sigurisë	45
2.3	Shenja e kontrollit	46
<b>3.</b>	<b>Përshkrimi i pajisjes</b>	<b>46</b>
<b>4.</b>	<b>Cilësimet</b>	<b>46</b>
4.1	Rekomandimi i konfigurimit për rubinetët	46
<b>5.</b>	<b>Pastrimi, kujdesi dhe mirëmbajtja</b>	<b>46</b>
<b>6.</b>	<b>Eliminimi i problemit</b>	<b>47</b>

### INSTALIMI

<b>7.</b>	<b>Siguria</b>	<b>47</b>
7.1	Udhëzimet e përgjithshme të sigurisë	47
7.2	Rregulloret, standardet dhe përcaktimet	47
<b>8.</b>	<b>Përshkrimi i pajisjes</b>	<b>47</b>
8.1	Përmbajtja e paketimit në dorëzim	47
<b>9.</b>	<b>Përgatitjet</b>	<b>48</b>
9.1	Vendi i montimit	48
9.2	Instalimi i ujit	48
<b>10.</b>	<b>Montimi</b>	<b>49</b>
10.1	Montimi standard	49
10.2	Alternativat e montimit	51
10.3	Përfundoni montimin	52
<b>11.</b>	<b>Vënia në punë</b>	<b>53</b>
11.1	Vënia në punë për herë të parë	53
11.2	Rivënia në punë	53
<b>12.</b>	<b>Dalja jashtë përdorimit</b>	<b>53</b>
<b>13.</b>	<b>Eliminimi i defektit</b>	<b>53</b>
<b>14.</b>	<b>Mirëmbajtja</b>	<b>54</b>
<b>15.</b>	<b>Të dhënat teknike</b>	<b>54</b>
15.1	Përmasat dhe lidhjet	54
15.2	Diagrami i qarkut elektrik	55
15.3	Fuqia e ujit të ngrohtë	55
15.4	Zonat e përdorimit / tabela e kthimit	56
15.5	Humbjet e presionit	56
15.6	Kushtet në rast defekti	56
15.7	Të dhënat për konsumin e energjisë	56
15.8	Tabela e të dhënave	57

### GARANCIA

### MJEDISI DHE RICIKLIMI

## UDHËZIME TË VEÇANTA

- Pajisja mund të përdoret nga fëmijët mbi 3 vjeç si dhe nga persona me aftësi fizike, shqisore ose mendore të reduktuara ose me mungesë përvojë dhe njohurish, nëse ata mbikëqyren ose janë udhëzuar në lidhje me përdorimin e sigurt të pajisjes dhe i kanë kuptuar rreziqet që rezultojnë si rrjedhojë e kësaj. Fëmijët nuk duhet të luajnë me pajisjen. Pastrimi dhe mirëmbajtja që kryhen nga përdoruesi nuk duhen kryer nga fëmijët pa mbikëqyrje.
- Rubineti gjatë kohës së funksionimit mund të pranojë një temperaturë mbi 60 °C. Kur temperaturat e rrjedhjes janë më të mëdha se 43 °C ekziston rreziku i përvëlimit.
- Pajisja nuk është e përshtatshme për furnizimin e një dushi (funksionimi i dushit).
- Pajisja duhet të jetë në gjendje të ndahet nga lidhja e rrjetit në të gjitha polet me një distancë ndarëse prej të paktën 3 mm.
- Tensioni i specifikuar duhet të përputhet me tensionin e rrjetit.
- Pajisja duhet lidhur te përcjellësi mbrojtës i tokëzimit.
- Pajisja duhet lidhur në mënyrë të qëndrueshme me një instalim elektrik fiks.
- Fiksoni pajisjen siç përshkruhet në kapitullin «Instalimi / Montimi».
- Kini parasysh presionin maksimal të lejuar (shihni kapitullin «Instalimi / Të dhënat teknike / Tabela e të dhënave»).
- Rezistenca specifike e ujit të rrjetit të furnizimit me ujë nuk duhet tejkaluar (shihni kapitullin «Instalimi / Të dhënat teknike / Tabela e të dhënave»).
- Zbrazi pajisjen siç përshkruhet në kapitullin «Instalimi / Mirëmbajtja / Zbraza e pajisjes».

## PËRDORIMI

## 1. Udhëzime të përgjithshme

Kapitujt «Udhëzime të veçanta» dhe «Përdorimi» i drejtohen përdoruesve të pajisjes dhe specialistëve.

Kapitulli «Instalimi» i drejtohet specialistëve.

**Udhëzim**

Lexoni me kujdes manualin përpara përdorimit dhe ruajeni atë.  
Nëse është e nevojshme jepjani manualin një përdoruesi pasardhës.

## 1.1 Udhëzimet e sigurisë

## 1.1.1 Struktura e udhëzimeve të sigurisë



**FJALA SINJALIZUESE Lloji i rrezikut**  
Këtu janë dhënë pasojat e mundshme në rastin e mosrespektimit të udhëzimeve të sigurisë.  
► Këtu janë dhënë masat për vetëmbrojtjen nga rreziku.

## 1.1.2 Simbolet, lloji i rrezikut

Simboli	Lloji i rrezikut
	Lëndimi
	Goditja e energjisë elektrike
	Djegia (Djegia, përvëlimi)

## 1.1.3 Fjalët sinjalizuese

FJALA SINJALIZUESE	Kuptimi
RREZIK	Udhëzime, mosrespektimi i të cilave ka si pasojë lëndime të rënda ose vdekje.
PARALAJMËRIM	Udhëzime, mosrespektimi i të cilave mund të ketë si pasojë lëndime të rënda ose vdekje.
KUJDES	Udhëzime, mosrespektimi i të cilave mund të çojë në lëndime mesatarisht të rënda ose të lehta.

## 1.2 Shënime të tjera në këtë dokumentacion

**Udhëzim**

Udhëzimet e përgjithshme identifikohen me simbolin shoqërues.  
► Lexoni me kujdes tekstet udhëzuese.

Simboli	Kuptimi
	Dëmet materiale (Dëmet e pajisjes, dëmet me pasoja, dëmet e mjedisit)
	Hedhja e pajisjeve

► Ky simbol ju tregon që duhet të bëni diçka. Veprimet e nevojshme përshkruhen hap pas hapi.

## 1.3 Njësitë matëse

**Udhëzim**

Nëse nuk jepet ndryshe, të gjitha përmasat janë në milimetra.

## 2. Siguria

## 2.1 Përdorimi sipas përcaktimeve

Pajisja është parashikuar për përdorimin në mjedisin shtëpiak. Ajo mund të përdoret në mënyrë të sigurt nga persona të patrajtuar. Në mjedisin joshhtëpiak, p.sh. në punishte të vogla, pajisja mund të përdoret gjithashtu, për aq kohë sa përdorimi bëhet në mënyrë të njëjtë.

Pajisja e presionit shërben për ngrohjen e ujit të pijshëm. Pajisja mund të furnizojë një ose disa pika të marrjes.

Çdo përdorim tjetër ose përdorimi që shkon përtej kësaj konsiderohet të mos jetë sipas përcaktimeve. Për përdorimin sipas përcaktimeve përfshihet edhe zbatimi i këtij manuali si dhe manualet për aksesorët e përdorur.

**Udhëzim**

Pajisja nuk lejohet për një ringrohje të ujit të ngrohur paraprakisht.

## 2.2 Udhëzimet e përgjithshme të sigurisë

**KUJDES Djegie**

Rubineti gjatë kohës së funksionimit mund të pranojë një temperaturë mbi 60 °C.  
Kur temperaturat e rrjedhjes janë më të mëdha se 43 °C ekziston rreziku i përvëlimit.

**PARALAJMËRIM Lëndimi**

Pajisja mund të përdoret nga fëmijët mbi 3 vjeç si dhe nga persona me aftësi fizike, shqisore ose mendore të reduktuara ose me mungesë përvoja dhe njohurish, nëse ata mbikëqyren ose janë udhëzuar në lidhje me përdorimin e sigurt të pajisjes dhe i kanë kuptuar rreziqet që rezultojnë si rrjedhojë e kësaj. Fëmijët nuk duhet të luajnë me pajisjen. Pastrimi dhe mirëmbajtja që kryhen nga përdoruesi nuk duhen kryer nga fëmijët pa mbikëqyrje.

**Dëmet materiale**

Pajisja dhe rubineti duhen mbrojtur nga ngrica nga përdoruesi.

### 2.3 Shenja e kontrollit

Shihni etiketën e tipeve në pajisje.

## 3. Përshkrimi i pajisjes

Nxehësi i komanduar rrjedhjes nga sistemi hidraulik e ngroh ujit, gjatë kohës që ai rrjedh nga pajisja. Nëse hapet një rubinet dhe është tejkualuar sasia e kalimit (shihni kapitullin «Të dhënat teknike / Tabela e të dhënave»), atëherë kapaciteti ngrohës aktivizohet automatikisht. Sasinë e ujit të ngrohtë dhe temperaturën mund ta konfiguroni në rubinet.

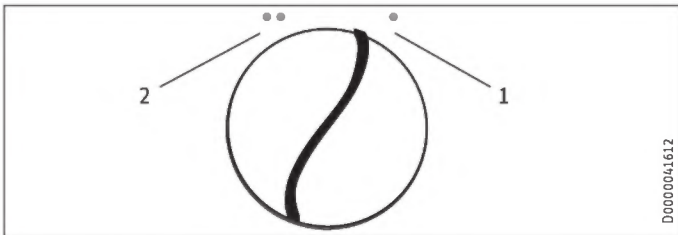
Ju mund të zgjidhni midis 2 shkallëve të fuqisë. Gjithashtu, 2 shkallët e fuqisë komandohen nga sistemi hidraulik në varësi të sasisë së rrjedhjes.

Sistemi i kontrollit të sasisë së rrjedhjes kompenson luhatjet e presionit dhe siguron kështu që temperatura të mbetet kryesisht e njëjtë. Sistemi i kontrollit kufizon sasinë e rrjedhjes dhe garanton kështu gjithmonë një rritje të mjaftueshme të temperaturës së ujit të pijshëm.

### Sistemi i ngrohjes

Sistemi i ngrohjes me tela të zhveshur ka një shtresë plastike rezistente ndaj presionit. Sistemi i ngrohjes është përshtatur për ujëra me pak kalcium dhe me përmbajtje gëlqerore, ai është kryesisht i pandjeshëm kundrejt kalcifikimit. Sistemi i ngrohjes siguron një furnizim të shpejtë dhe efikas me ujë.

## 4. Cilësimet



- 1 Performanca e pjesshme  
Në rastin e sasisë së pakët të rrjedhjes 1/3 e kapacitetit ngrohës kalon në 2/3 e kapacitetit ngrohës në rastin e sasive më të mëdha të rrjedhjes. Ky cilësim është i përshtatshëm p.sh. për larjen e duarve.
  - 2 Fuqia e plotë  
Në rastin e sasisë së pakët të rrjedhjes gjysma e kapacitetit ngrohës kalon në kapacitetin e plotë ngrohës në rastin e sasive më të mëdha të rrjedhjes. Ky cilësim është i përshtatshëm p.sh. për shpëlarjen.
- Fiksoni zgjedhësin e fuqisë në pozicionin e dëshiruar.

### Rekomandimi i konfigurimit në rastin e përdorimit të rubinetit me termostat

- Vendosni zgjedhësin e fuqisë në fuqi të plotë.

### 4.1 Rekomandimi i konfigurimit për rubinetët



#### Udhëzim

Nëse valvula e marrjes është plotësisht e hapur dhe nëse fuqia e plotë nuk e ka arritur temperaturën e mjaftueshme të rrjedhjes, atëherë del më shumë ujë nga pajisja, nga sa mund të ngrohë sistemi i ngrohjes (pajisja në kufirin e fuqisë).

- Reduktoni sasinë e ujit në valvulën e marrjes.

sasi e pakët e marrjes = temperaturë e lartë e rrjedhjes

sasi e madhe e marrjes = temperaturë e ulët e marrjes

### Rubinet me dy doreza

Shkalla e fuqisë	Zona e përdorimit
Fuqia e pjesshme	Lavamani
Fuqia e plotë	Vaska, lavamani

- Në rastin e temperaturave të larta dhe rubinetit të hapur plotësisht, shtoni ujë të ftohtë.

### Përzierësi me një levë

Shkalla e fuqisë	Zona e përdorimit
Fuqia e plotë	të gjitha

- Rotulloni levën e rubinetit në temperaturën maksimale.
- Hapni plotësisht rubinetin.
- Rritni temperaturën e rrjedhjes, duke mbyllur ngadalë rubinetin.
- Reduktoni temperaturën e rrjedhjes, duke shtuar ujë të ftohtë ose, nëse është e mundur, hapni më tej rubinetin.

### Pas ndërprerjes së furnizimit me ujë



#### Dëmet materiale

Pas ndërprerjes së furnizimit me ujë pajisja duhet vënë përsëri në punë me hapat e mëposhtëm, në mënyrë që sistemi i ngrohjes me tela të zhveshur të mos priset.

- Kaloni pajisjen pa tension, duke çaktivizuar siguresat.
- Hapni rubinetin për një minutë, derisa pajisja dhe tubacioni i furnizimit me ujë të ftohtë të lidhur paraprakisht të jenë pa ajër.
- Ndizni përsëri tensionin e rrjetit.

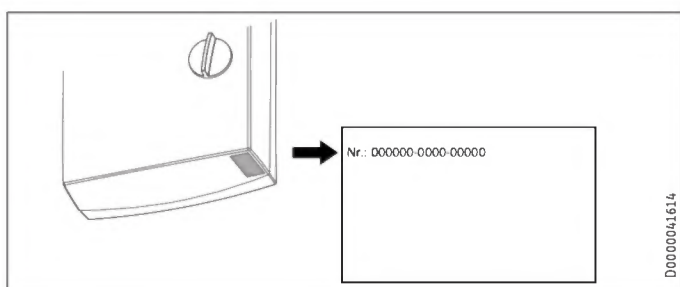
## 5. Pastrimi, kujdesi dhe mirëmbajtja

- Mos përdorni produkte pastrimi gërryese ose që treten. Për kujdesin dhe pastrimin e pajisjes mjafton një pecetë e lagur.
- Kontrolloni rregullisht rubinetët. Ju mund ta hiqni gëlqeren te daljet e rubinetit me zhgëlqerëzues të disponueshëm në treg.

## 6. Eliminimi i problemit

Problemi	Shkaku	Eliminimi
Pajisja nuk ndizet pavarësisht se valvula e ujit të ngrohtë është e hapur plotësisht.	Nuk ka tension.	Kontrolloni siguresat në instalimin e shtëpisë.
	Sasia e rrjedhjes është shumë e ulët, për të aktivizuar kapacitetin ngrohës. Rregullatori i currillit të ujit në rubinet.	Pastroni dhe / ose zhgëlqerëzoni rregullatorin e currillit të ujit.

Nëse nuk mund ta eliminoni shkahun, thërrisni një specialist. Për ndihmë më të mirë dhe më të shpejtë jepini atij numrin e etiketës së tipeve me (000000-0000-00000).



## INSTALIMI

### 7. Siguria

Instalimi, vënia në punë si dhe mirëmbajtja dhe riparimi i pajisjes duhen kryer vetëm nga një specialist.

#### 7.1 Udhëzimet e përgjithshme të sigurisë

Ne garantojmë një funksionim pa probleme dhe të sigurt vetëm nëse përdoren aksesore origjinale të posaçëm për pajisjen dhe pjesë këmbimi origjinale.



#### Dëmet materiale

Kini parasysh temperaturën maksimale të furnizimit. Kur temperaturat janë të larta, pajisja mund të dëmtohet. Me montimin e një rubineti qendror me termostat ju mund të kufizoni temperaturën maksimale të furnizimit.

#### 7.2 Rregulloret, standardet dhe përcaktimet



#### Udhëzim

Kini parasysh të gjitha rregulloret dhe përcaktimet kombëtare dhe rajonale.

- Mbrojtja IP 25 (e mbrojtur nga currili i ujit) është e garantuar vetëm nëse lidhësi i kabllos është montuar siç duhet.
- Rezistenca elektrike specifike e ujit nuk duhet të jetë më e vogël nga ajo që është dhënë në etiketën e tipeve. Në rastin e një rrjeti të lidhur me ujë duhet të merret parasysh rezistenca minimale elektrike e ujit (shihni kapitullin «Të dhënat teknike / Zona e përdorimit / Tabela e kthimit»).
- Rezistencën elektrike specifike ose përçueshmërinë elektrike të ujit e mësoni pranë kompanisë suaj e furnizimit me ujë.

## 8. Përshkrimi i pajisjes

### 8.1 Përmbajtja e paketimit në dorëzim

Me pajisjen dorëzohen:

- Varësja e murit
- Buloni me fileto për varësen e murit
- Shablloni i montimit
- 2 manikota dyshe (ujë i ftohtë me valvulën e bllokimit)
- Guarnicionet e sheshta
- Lidhësi i kabllos (linja elektrike sipër / poshtë)
- Vidat / takot për fiksimin në murin e pasmë në lidhjen e ujit jashtë murit

Për ndërrimin e pajisjes:

- 2 zgjatues për rubinet

### 9. Përgatitjet

#### 9.1 Vendi i montimit



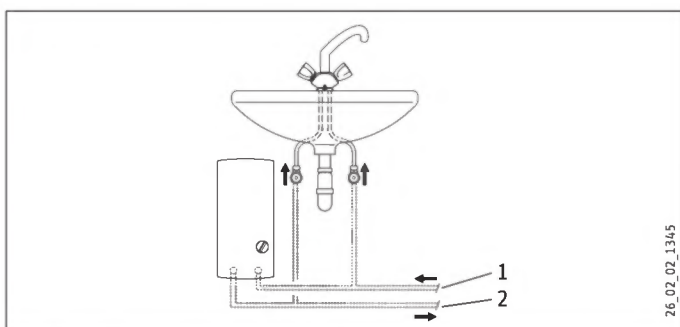
##### Dëmet materiale

Instalimi i pajisjes duhet kryer vetëm në një ambient pa ngricë.

- ▶ Montoni pajisjen horizontalisht dhe në afërsi të pikës së marrjes.

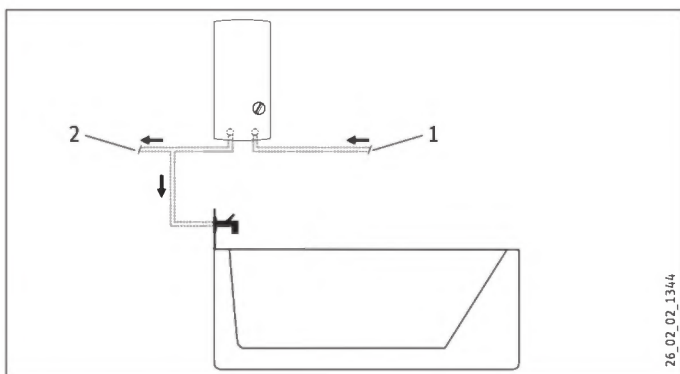
Pajisja është e përshtatshme për një montim nën dhe mbi banak.

##### Montimi nën banak



- 1 Furnizimi me ujë të ftohtë
- 2 Rrjedhja e ujit të ngrohtë

##### Montimi mbi banak



- 1 Furnizimi me ujë të ftohtë
- 2 Rrjedhja e ujit të ngrohtë



##### Udhëzim

- ▶ Montoni pajisjen në mur. Muri duhet të ketë aftësi mbajtëse të mjaftueshme.

#### 9.2 Instalimi i ujit

- Funkcionimi me ujin e ngrohur paraprakisht nuk është i lejuar.
- Një valvul e sigurisë nuk është e nevojshme.
- Valvulat e sigurisë në tubacionin e ujit të ngrohtë nuk janë të lejuara.
- ▶ Shpëlani mirë tubacionin e ujit.
- ▶ Sigurohuni që rryma e vëllimit (shihni «Të dhënat teknike / Tabela e të dhënave», Ndezur) të arrihet për ndezjen e pajisjes. Rrisni presionin e tubacionit të ujit, në rast se nuk arrihet rryma e nevojshme e vëllimit kur valvula e marrjes është e hapur plotësisht.

##### Rubinetët

Përdorni rubinetët e përshtatshëm të presionit. Rubinetët e hapur nuk janë të lejuar.

Rubinetët me presion me termostat duhet të jenë të përshtatshëm për nxehtësinë e rrjedhjes të komanduar nga sistemi hidraulik.



##### Udhëzim

Nuk duhet ta përdorni valvulën e bllokimit në furnizimin me ujë të ftohtë për uljen e rrjedhjes. Ajo shërben për bllokimin e pajisjes.

##### Lëndët e miratuara të tubacioneve të ujit

- Tubacioni i furnizimit me ujë të ftohtë: tub çeliku i galvanizuar me zjarr, tub çeliku inox, tub bakri ose tub plastik
- Tubacioni i rrjedhjes së ujit të ngrohtë: Tub çeliku inox, tub bakri ose tub plastik



##### Dëmet materiale

Gjatë përdorimit të sistemeve të tubave plastikë kini parasysh temperaturën maksimale të furnizimit dhe presionin maksimal të lejuar (shihni kapitullin «Të dhënat teknike / Tabela e të dhënave»).

##### Tubacionet fleksibël të lidhjes së ujit

- ▶ Në rastin e instalimit me tubacione fleksibël të lidhjes së ujit parandaloni një rrotullim të bërrylave të tubit me lidhjet bajonet në pajisje.
- ▶ Fiksoni murin e pasmë me dy vida shtesë poshtë.

### 10. Montimi

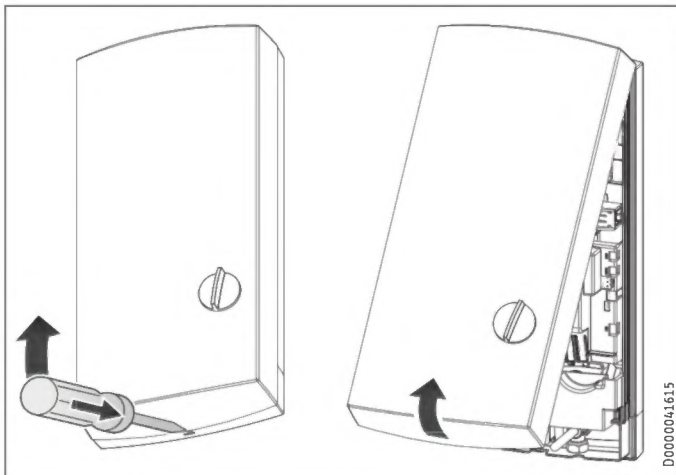
#### 10.1 Montimi standard

- Lidhja elektrike sipër, instalimi inkaso
- Lidhja e ujit, instalimi inkaso

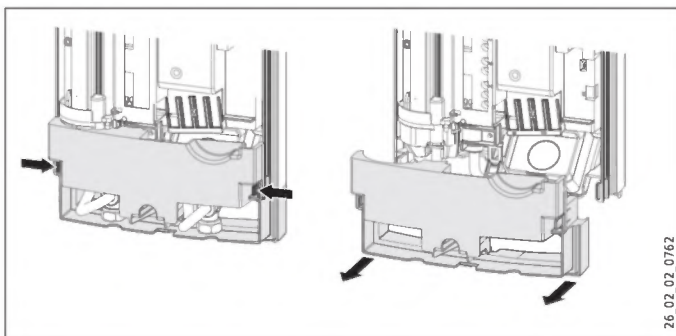
Mundësi të tjera të montimit, shihni kapitullin «Alternativat e montimit»:

- Lidhja elektrike inkaso poshtë
- Lidhja elektrike jashtë murit
- Lidhja e një releje të shkarkimit të ngarkesës
- Instalimi i ujit jashtë murit
- Lidhja e ujit inkaso në rastin e ndërrimit të pajisjes

#### Hapni pajisjen

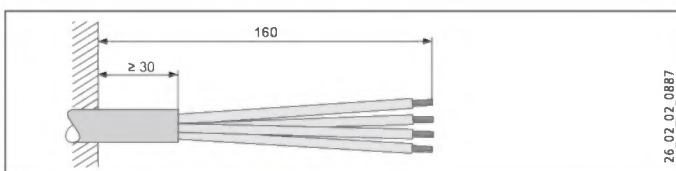


- ▶ Hapni pajisjen, duke zhbllokuar mbylljen e fiksuar.

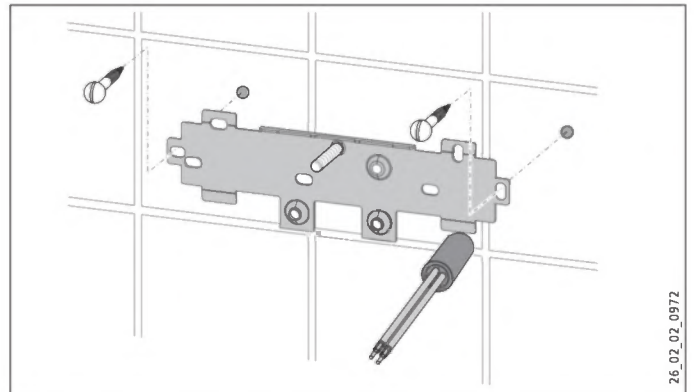


- ▶ Ndani murin e pasmë, duke shtypur të dy grepat fiksues dhe duke nxjerrë përpara pjesën e poshtme të murit të pasmë.

#### Përgatitni kabllo e lidhjes së rrjetit

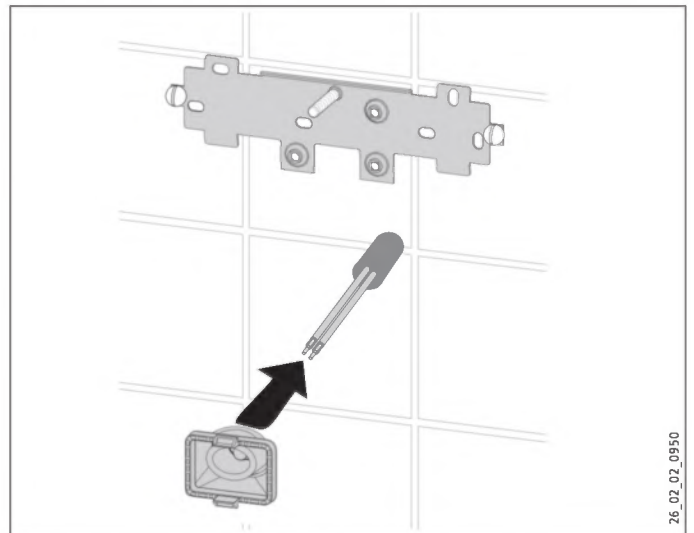


#### Montoni varësen në mur



- ▶ Shënoni vrimat e shpimit me shabllonin e montimit. Në rastin e montimit me lidhjet e ujit të shtrira jashtë murit, duhet të shënoni gjithashtu edhe vrimat e fiksimit në pjesën e poshtme të shabllonit.
- ▶ Shpini vrimat dhe fiksoni varësen në mur me 2 vida dhe 2 tako (vidat dhe takot nuk janë të përfshira në paketim).
- ▶ Montoni bulonin e bashkëngjitur me fileto.
- ▶ Montoni varësen e murit.

#### Montoni lidhësin e kabllos



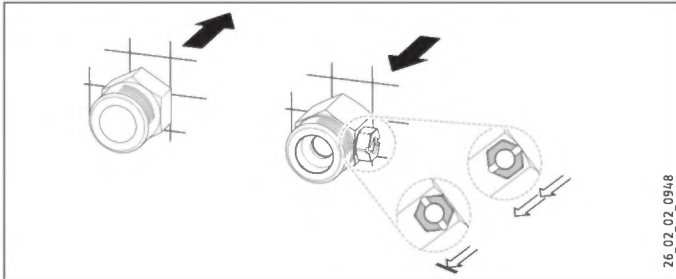
- ▶ Montoni lidhësin e kabllos. Në rastin e një kablloje lidhëse > 6 mm<sup>2</sup> duhet të zmadhoni vrimën në lidhësin e kabllos.

# INSTALIMI

## Montimi

### Vendosni lidhjen e ujit

- !** **Dëmet materiale**  
Përfundoni të gjitha punimet e lidhjes së ujit dhe instalimit sipas rregullores.

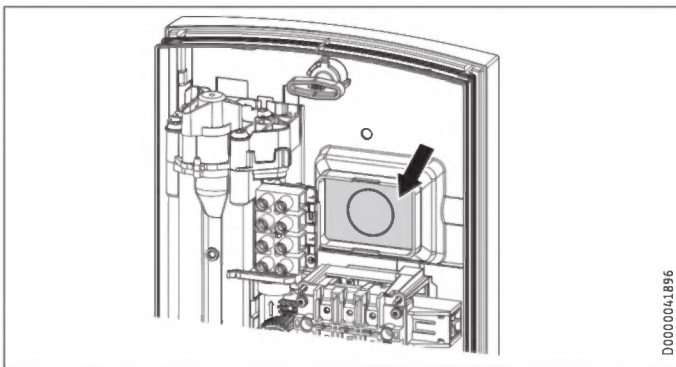


- Izoloni dhe vidhosni manikotën dyshe.

- !** **Dëmet materiale**  
Nuk duhet ta përdorni valvulën e bllokimit në furnizimin me ujë të ftohtë për uljen e rrjedhjes.

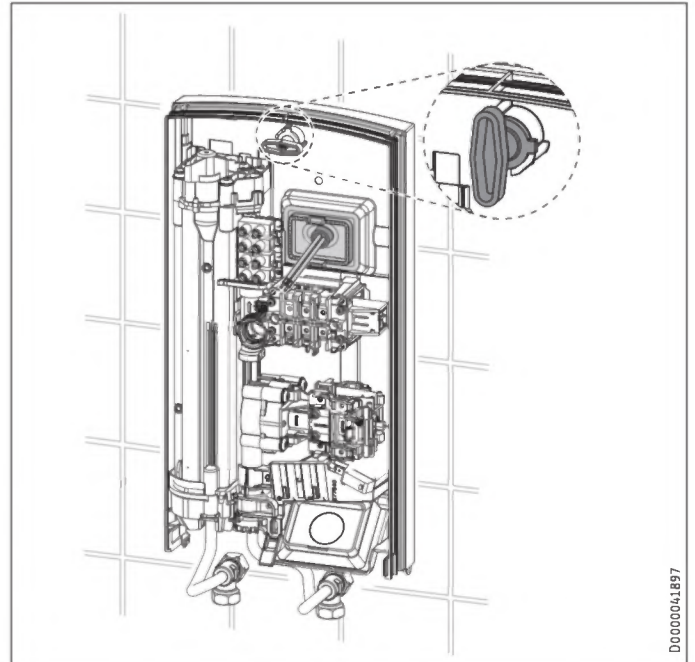
### Përgatisni murin e pasmë

- !** **Dëmet materiale**  
Nëse hapni pa dashje një vrimë të gabuar në murin e pasmë, atëherë duhet të përdorni një mur të ri të pasmë.

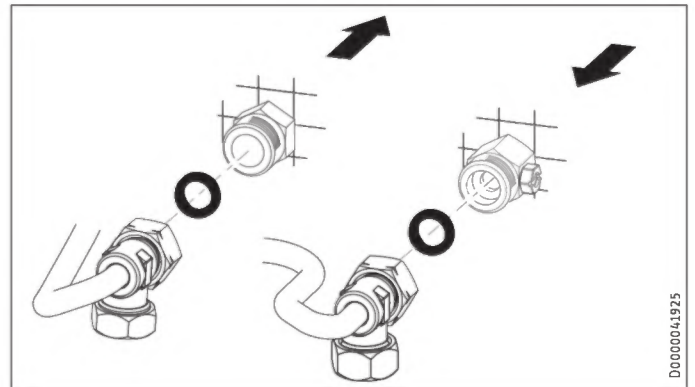


- Pastroni vendin e hapur për lidhësin e kablllos në murin e pasmë. Nëse është e nevojshme pastroni cepat e mprehtë me një limë.

### Montoni pajisjen



- Vendosni murin e pasmë nëpërmjet bulonit me fileto dhe lidhësit të kablllos. Tërhiqni lidhësin e kablllos me ndihmën e një pinçe në grepat e fiksimit në murin e pasmë, derisa të dy grepat e fiksimit të fiksohen në mënyrë që të dëgjohen.
- Hiqni tapën mbrojtëse të transportit nga lidhjet e ujit.
- Ngjeshni fort murin e pasmë dhe bllokoheni me çelësin e fiksimit duke e rrotulluar në të djathtë me 90°.



- Vidhosni tubat e lidhjes së ujit me guarnicione të sheshta në manikotën dyshe.

- !** **Dëmet materiale**  
Për funksionin e pajisjes kulesa duhet të jetë e montuar.
- Gjatë ndërrimit të pajisjes kontrolloni nëse kulesa është e disponueshme (shihni kapitullin «Mirëmbajtja»).

### Vendosni lidhjen elektrike



**PARALAJMËRIM** Goditja nga energjia elektrike  
Bëjini të gjitha proceset e lidhjes elektrike dhe instalimit sipas rregullores.



**PARALAJMËRIM** Goditja nga energjia elektrike  
Lidhja në rrjetin e rrymës është e lejuar vetëm si lidhje fikse në lidhje me lidhësin që mund të hiqet të kablllos. Pajisja duhet të jetë në gjendje të ndahet nga lidhja e rrjetit në të gjitha polet me një distancë ndarëse prej të paktën 3 mm.



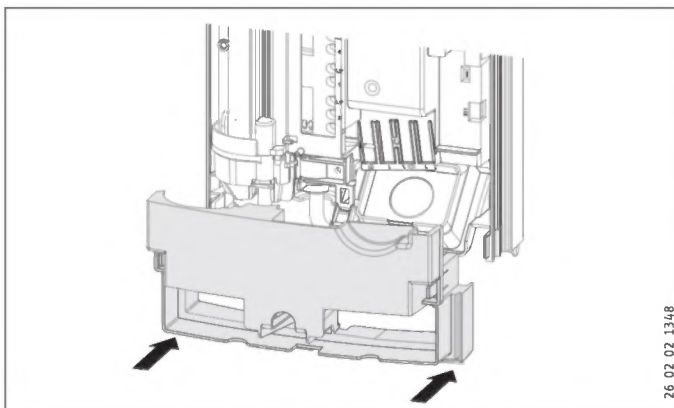
**PARALAJMËRIM** Goditja nga energjia elektrike  
Sigurohuni që pajisja të jetë e lidhur në përcjellësin mbrojtës të tokëzimit.



**Dëmet materiale**  
Kini parasysh etiketën e tipeve. Tensioni i specifikuar duhet të përputhet me tensionin e rrjetit.

- Lidhni kabllon e lidhjes elektrike të kapëset e lidhjes së rrjetit (shihni kapitullin «Të dhënat teknike / Diagrami i qarkut elektrik»).

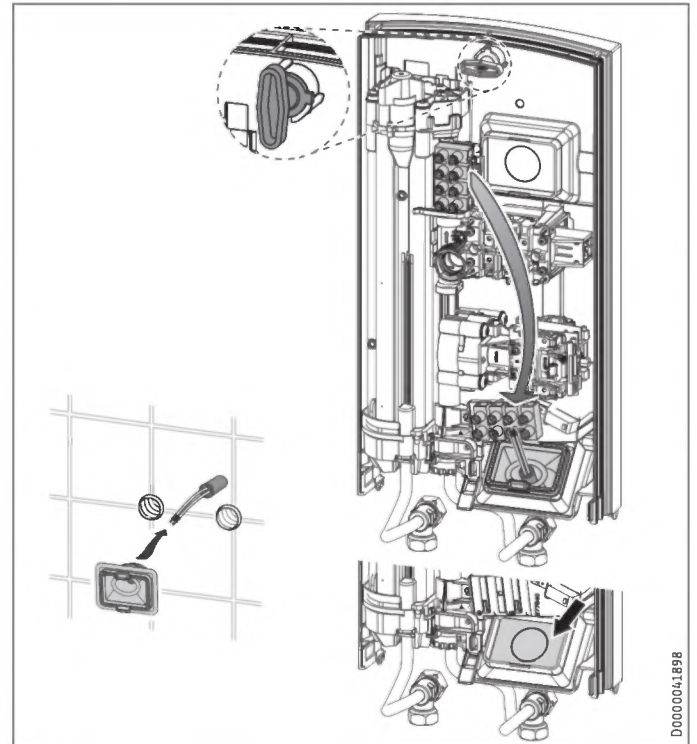
### Montoni pjesën e poshtme të murit të pasmë



- Montoni pjesën e poshtme të murit të pasmë në murin e pasmë dhe fiksojeni pjesën e poshtme të murit të pasmë.
- Rregulloni pajisjen e montuar duke e liruar me çelësin fiksues, duke përshtatur lidhjen elektrike dhe murin e pasmë dhe duke e vidhosur përsëri fort me çelësin e fiksimit. Nëse muri i pasmë i pajisjes nuk vendoset, atëherë mund ta fiksoni pajisjen poshtë me dy vida shtesë.

## 10.2 Alternativat e montimit

### 10.2.1 Lidhja elektrike inkaso poshtë



- Montoni lidhësin e kablllos.



**Dëmet materiale**  
Nëse hapni pa dashje një vrimë të gabuar në murin e pasmë, atëherë duhet të përdorni një mur të ri të pasmë.

- Pastroni vendin e hapur për lidhësin e kablllos në murin e pasmë. Nëse është e nevojshme pastroni cepat e mprehtë me një limë.
- Lëvizeni kapësen e lidhjes së rrjetit në pajisje nga lart poshtë.
- Vendosni murin e pasmë nëpërmjet bulonit me fileto dhe lidhësit të kablllos. Tërhiqni lidhësin e kablllos me ndihmën e një pince në grepat e fiksimit në murin e pasmë, derisa të dy grepat e fiksimit të fiksohen në mënyrë që të dëgjohen.
- Ngjeshni fort murin e pasmë dhe bllokojeni me çelësin e fiksimit duke e rrotulluar në të djathtë me 90°.

### 10.2.2 Lidhja elektrike jashtë murit



#### Udhëzim

Në rastin e kësaj lloj lidhjeje mbrojtja e pajisjes ndryshon.

- ▶ Ndryshoni etiketën e tipeve. Hiqini një vizë të dhënave IP 25 dhe shënoni me kryq kutizën IP 24. Për këtë përdorni një stilolaps.



#### Dëmet materiale

Nëse hapni pa dashje një vrimë të gabuar në murin e pasmë, atëherë duhet të përdorni një mur të ri të pasmë.

- ▶ Prisni ose shkëputni me kujdes kalimin që nevojitet në murin e pasmë (për pozicionet shihni kapitullin «Të dhënat teknike / Përmasat dhe lidhjet»). Nëse është e nevojshme pastroni cepat e mprehtë me një limë.
- ▶ Kaloni kabllon e lidhjes elektrike përmes lidhësit të kabllos dhe lidheni atë me kapësen e lidhjes së rrjetit.

### 10.2.3 Lidhja e një releje të shkarkimit të ngarkesës

Përdorni një rele të shkarkimit të ngarkesës në kombinim me pajisje të tjera elektrike, p.sh. pajisje elektrike që e ruajnë nxehtësinë, në shpërndarjen elektrike. Shkarkimi i ngarkesës bëhet në rastin e funksionimit të nxehtësisë të rrjedhjes.



#### Dëmet materiale

Lidhni fazën që stakon relenë e shkarkimit të ngarkesës, me kapësen e identifikuar të lidhjes së rrjetit në pajisje (shihni kapitullin «Të dhënat teknike / Diagrami i qarkut elektrik»).

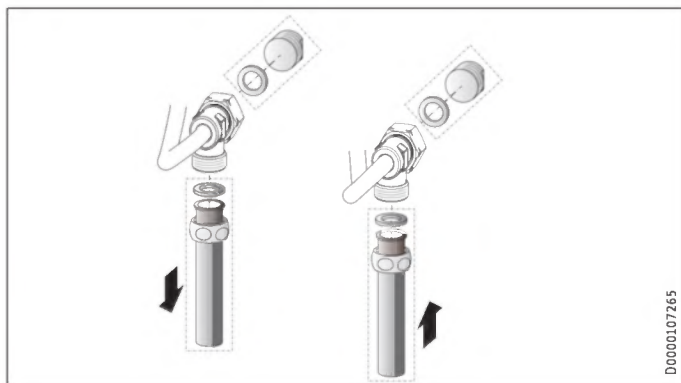
### 10.2.4 Instalimi i ujit jashtë murit



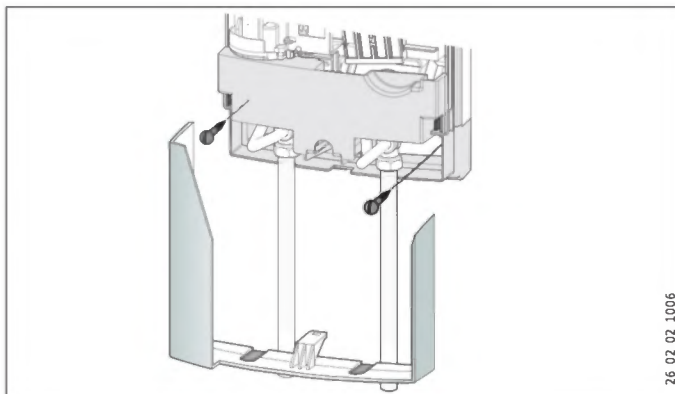
#### Udhëzim

Në rastin e kësaj lloj lidhjeje mbrojtja e pajisjes ndryshon.

- ▶ Ndryshoni etiketën e tipeve. Hiqini një vizë të dhënave IP 25 dhe shënoni me kryq kutizën IP 24. Për këtë përdorni një stilolaps.



- ▶ Montoni tapën e ujit me guarnicionet, për të mbyllur lidhjen inkaso.
- ▶ Montoni një rubinet të përshtatshëm të presionit.



- ▶ Fiksioni murin e pasmë me dy vida shtesë poshtë.
- ▶ Shtyni pjesën e poshtme të murit të pasmë poshtë tubave të lidhjes së rubinetit dhe fiksojeni pjesën e poshtme të murit të pasmë.
- ▶ Vidhosni tubat e lidhjes me pajisjen.



#### Dëmet materiale

Nëse hapni pa dashje një vrimë të gabuar në kapakun e pajisjes, atëherë duhet të përdorni një kapak të ri të pajisjes.

- ▶ Shkëputni me kujdes kalimet në kapakun e pajisjes. Nëse është e nevojshme pastroni cepat e mprehtë me një limë.

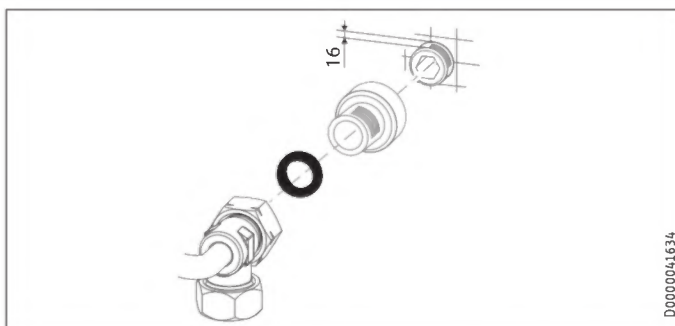
### 10.2.5 Instalimi i ujit inkaso në rastin e ndërrimit të pajisjes

Në rast se manikota e disponueshme dyshe e pajisjes së vjetër del nga muri vetëm rreth 16 mm, atëherë nuk mund ta përdorni më manikotën dyshe të lëvruar.



#### Udhëzim

Në rastin e kësaj lidhjeje, bllokimi i furnizimit me ujë të ftohtë është i mundur vetëm në instalimin e shtëpisë.



- ▶ Izoloni dhe vidhosni zgjatuesit e bashkëngjitur të rubinetit.
- ▶ Lidhni pajisjen.

### 10.3 Përfundoni montimin

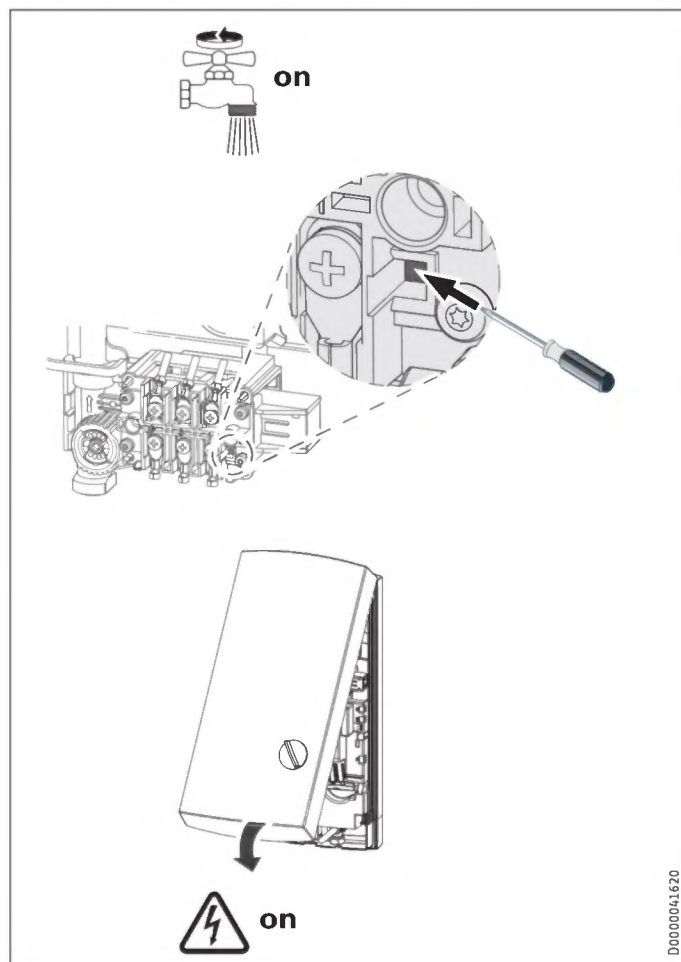
- ▶ Hapni valvulën e bllokimit në manikotën dyshe ose në furnizimin e ujit të ftohtë.

## 11. Vënia në punë



**PARALAJMËRIM** Goditja nga energjia elektrike Vënia në punë duhet të kryhet vetëm nga një specialist duke pasur parasysh rregulloret e sigurisë.

### 11.1 Vënia në punë për herë të parë



- ▶ Hapni dhe mbyllni disa herë të gjitha valvulat e lidhura të marrjes, derisa rrjeti i tubacionit dhe pajisja të jenë pa ajër.
- ▶ Kryeni një kontroll të dendësisë.
- ▶ Aktivizoni kufizuesin e presionit të sigurisë, duke shtypur fort butonin e rivendosjes (pajisja dorëzohet me kufizuesin e çaktivizuar të presionit të sigurisë).
- ▶ Montoni kapakun e pajisjes, derisa ajo të fiksohet në mënyrë që të dëgjohet. Kontrolloni ulësen e kapakut të pajisjes.
- ▶ Ndizni tensionin e rrjetit.
- ▶ Kontrolloni mënyrën e punës së pajisjes.

### Dorëzimi i pajisjes

- ▶ Shpjegojini përdoruesit funksionin e pajisjes dhe familjarizojeni atë me përdorimin e pajisjes.
- ▶ Udhëzoheni përdoruesin për rreziqet e mundshme, veçanërisht rrezikun e përvëlimit.
- ▶ Dorëzoni këtë manual.

### 11.2 Rivënia në punë

Ajrosni pajisjen dhe tubacionin e furnizimit me ujë të ftohtë (shihni kapitullin «Cilësimet»).

Shihni kapitullin «Vënia në punë për herë të parë».

## 12. Dalja jashtë përdorimit

- ▶ Shkëputni pajisjen në të gjitha polet nga lidhja e rrjetit.
- ▶ Zbrazni pajisjen (shihni kapitullin «Mirëmbajtja»).

## 13. Eliminimi i defektit

Defekti	Shkaku	Eliminimi
Rrjedhja është shumë e ulët.	Kullesa në pajisje është e ndotur.	Pastroni kullesën.
Rregullatori i sasisë së rrjedhjes nuk ndizet pavarësisht se rubineti është i hapur plotësisht.	Sasia e nevojshme e kalimit për ndezjen e kapacitetit ngrohës nuk arrihet.	Pastroni kullesën.
Pajisja, pavarësisht zhurmës së dëgjueshme të ndezjes së çelësit të presionit të diferencës nuk prodhon ujë të ngrohtë.	Kufizuesi i presionit të sigurisë (AP 3) e ka fikur pajisjen për arsye të sigurisë.	Eliminoni shkaku e gabimit (p.sh. një shpëlarës me presion me defekt).
		Mbronni sistemin e ngrohjes nga mbinxehja, duke hapur për një minutë një valvul të marrjes me stakim të mëvonshëm në pajisje. Si rrjedhojë, sistemi i ngrohjes lirohet nga presioni dhe ftohet.
		Aktivizoni kufizuesin e presionit të sigurisë në rastin e presionit të rrjedhjes, duke shtypur butonin e rivendosjes (shihni kapitullin «Vënia në punë për herë të parë»).
	Sistemi i ngrohjes ka defekt.	Matni rezistencën e sistemit të ngrohjes dhe nëse është e nevojshme ndërroni rezistencën.

### 14. Mirëmbajtja



**PARALAJMËRIM** Goditja nga energjia elektrike  
Në rastin e të gjitha punimeve shkëputni pajisjen në të gjitha polet nga lidhja e rrjetit.

#### Zbrazni pajisjen

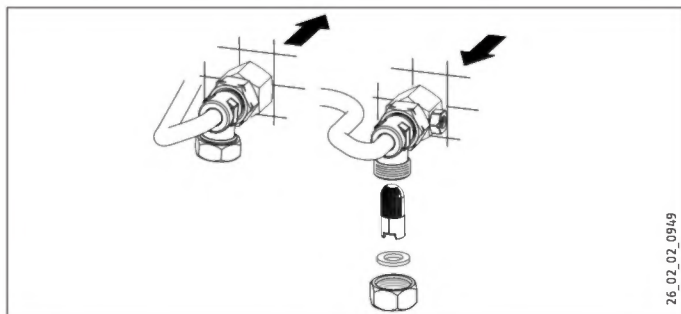
Ju mund ta zbrazni pajisjen për punimet e mirëmbajtjes.



**PARALAJMËRIMI** Djegia  
Gjatë zbrazjes së pajisjes mund të dalë ujë i nxehtë.

- ▶ Mbyllni valvulën e bllokimit në manikotën dyshe ose në furnizimin e ujit të ftohtë.
- ▶ Hapni të gjitha valvulat e marrjes.
- ▶ Lironi lidhjet e ujit nga pajisja.
- ▶ Ruani një pajisje të çmontuar pa ngrica, sepse ka ujë të mbetur në pajisje, i cili mund të shkaktojë ngrirje dhe dëme.

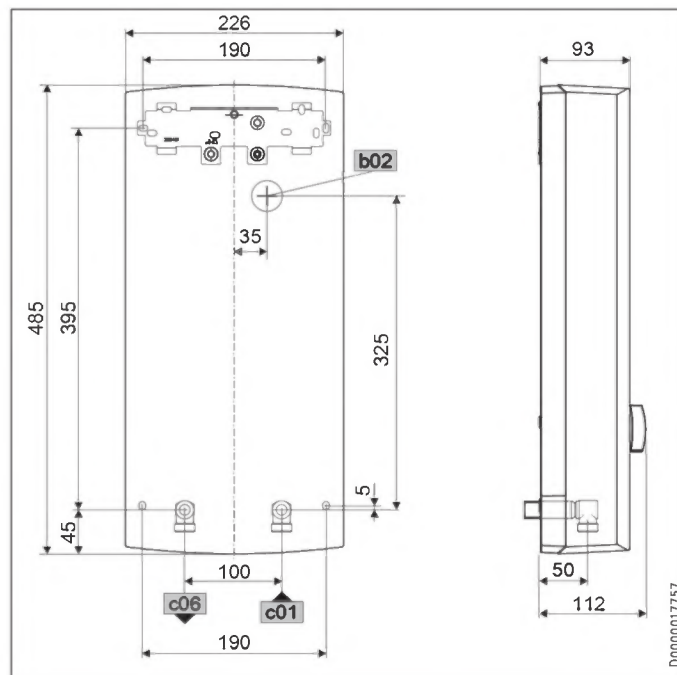
#### Pastroni kulesën



Në rastin e papastërtive pastroni kulesën në lidhjen e vidhosur të ujit të ftohtë. Mbyllni valvulën e bllokimit në tubacionin e furnizimit me ujë të ftohtë, përpara se ta çmontoni, ta pastroni dhe ta montoni përsëri kulesën.

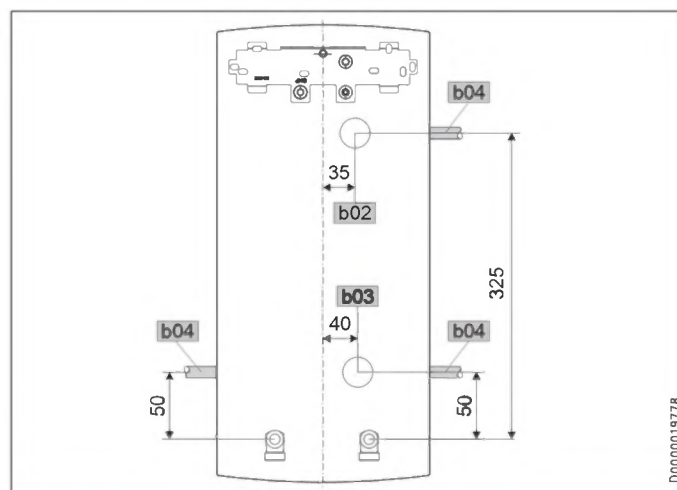
### 15. Të dhënat teknike

#### 15.1 Përmasat dhe lidhjet



b02	Kalimi i linjave elektrike I	Fileto e jashtme	G 1/2 A
c01	Furnizimi me ujë të ftohtë	Fileto e jashtme	G 1/2 A
c06	Rrjedhja e ujit të ngrohtë	Fileto e jashtme	G 1/2 A

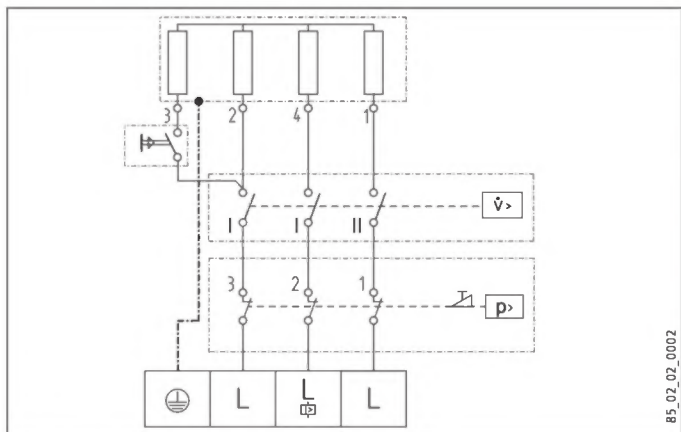
#### Mundësitë alternative të lidhjes



b02	Kalimi i linjave elektrike I		
b03	Kalimi i linjave elektrike II		
b04	Kalimi i linjave elektrike III		

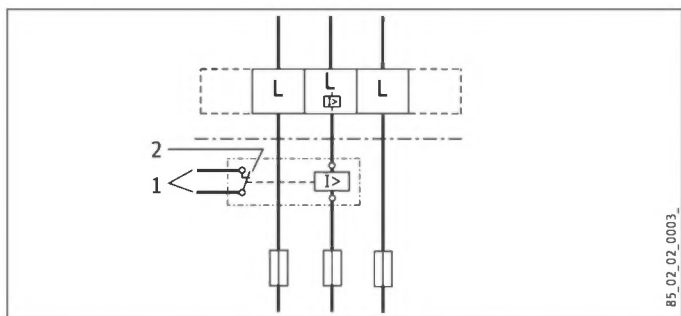
15.2 Diagrami i qarkut elektrik

3/PE ~ 400 V



- 1 Ngrohja
- 2 Kufizuesi i temperaturës së sigurisë
- 3 Kufizuesi i presionit të sigurisë

Ndezja me përparësi LR 1-A



- 1 Linja e sistemit të komandimit për mbrojtjen nga ndezja e pajisjes 2. (p.sh. pajisja elektrike që e ruan nxehtësinë).
- 2 Kontakti i sistemit të komandimit hapet gjatë ndezjes së nxehtësit të rrjedhjes.

15.3 Fuqia e ujit të ngrohtë

Fuqia e ujit të ngrohtë varet nga tensioni i lidhur i rrjetit, nga lidhja elektrike e pajisjes dhe nga temperatura e furnizimit me ujë të ftohtë. Tensionin nominal dhe fuqinë nominale e merrni nga etiketa e tipeve (shihni kapitullin «Eliminimi i problemit»).

Lidhja elektrike në kW	Fuqia e ujit të ngrohtë 38 °C në L/min.					
	Tensioni nominal		Temperatura e furnizimit me ujë të ftohtë			
	380 V	400 V	5 °C	10 °C	15 °C	20 °C
<b>PHB 13</b>						
I maks.	9,6		4,2	4,9	6,0	7,6
I maks.		10,6	4,6	5,4	6,6	8,4
II maks.	12,2		5,3	6,2	7,6	9,7
II maks.		13,5	5,8	6,9	8,4	10,7
<b>PHB 18</b>						
I maks.	12,9		5,6	6,6	8,0	10,2
I maks.		14,3	6,2	7,3	8,9	11,3
II maks.	16,3		7,1	8,3	10,1	12,9
II maks.		18	7,8	9,2	11,2	14,3
<b>PHB 21</b>						
I maks.	15,2		6,6	7,8	9,4	12,1
I maks.		16,8	7,3	8,6	10,4	13,3
II maks.	19		8,2	9,7	11,8	15,1
II maks.		21	9,1	10,7	13,0	16,7
<b>PHB 24</b>						
I maks.	17,1		7,4	8,7	10,6	13,6
I maks.		19	8,2	9,7	11,8	15,1
II maks.	21,7		9,4	11,1	13,5	17,2
II maks.		24	10,4	12,2	14,9	19,0

Lidhja elektrike në kW	Fuqia e ujit të ngrohtë 50 °C në L/min.					
	Tensioni nominal		Temperatura e furnizimit me ujë të ftohtë			
	380 V	400 V	5 °C	10 °C	15 °C	20 °C
<b>PHB 13</b>						
I maks.	9,6		3,0	3,4	3,9	4,6
I maks.		10,6	3,4	3,8	4,3	5,0
II maks.	12,2		3,9	4,4	5,0	5,8
II maks.		13,5	4,3	4,8	5,5	6,4
<b>PHB 18</b>						
I maks.	12,9		4,1	4,6	5,3	6,1
I maks.		14,3	4,5	5,1	5,8	6,8
II maks.	16,3		5,2	5,8	6,7	7,8
II maks.		18	5,7	6,4	7,3	8,6
<b>PHB 21</b>						
I maks.	15,2		4,8	5,4	6,2	7,2
I maks.		16,8	5,3	6,0	6,9	8,0
II maks.	19		6,0	6,8	7,8	9,0
II maks.		21	6,7	7,5	8,6	10,0
<b>PHB 24</b>						
I maks.	17,1		5,4	6,1	7,0	8,1
I maks.		19	6,0	6,8	7,8	9,0
II maks.	21,7		6,9	7,8	8,9	10,3
II maks.		24	7,6	8,6	9,8	11,4

### 15.4 Zonat e përdorimit / tabela e kthimit

Rezistenca elektrike specifike dhe përçueshmëria elektrike specifike (shihni kapitullin «Tabela e të dhënave»).

Të dhënat e standardit në 15 °C			20 °C			25 °C		
Rezistenca	Përçueshmëria		Rezistenca	Përçueshmëria		Rezistenca	Përçueshmëria	
$\rho \geq$	$\sigma \leq$		$\rho \geq$	$\sigma \leq$		$\rho \geq$	$\sigma \leq$	
$\Omega\text{cm}$	mS/m	$\mu\text{S/cm}$	$\Omega\text{cm}$	mS/m	$\mu\text{S/cm}$	$\Omega\text{cm}$	mS/m	$\mu\text{S/cm}$
900	111	1111	800	125	1250	735	136	1361

### 15.5 Humbjet e presionit

#### Rubinetët

Humbja e presionit të rubinetave kur rryma e vëllimit është 10 L/min			
Përzierës me një levë, rreth		MPa	0,04 - 0,08
Rubineti me termostat, rreth		MPa	0,03 - 0,05
Kullësia e dorës, rreth		MPa	0,03 - 0,15

#### Dimensionimet e rrjetit të tubave

Për llogaritjen e dimensionimeve të rrjetit të tubave për pajisjen rekomandohet një humbje e presionit prej 0,1 MPa.

### 15.6 Kushtet në rast defekti

Në rast defekti, në instalimin e ngarkesave me afat të shkurtër prej maksimumi 95 °C mund të shfaqet një presion prej 1,2 MPa.

### 15.7 Të dhënat për konsumin e energjisë

Fleta e të dhënave të produktit: Përgatitësi konvencional i ujit të ngrohtë sipas rregullores (BE) numër 812/2013 dhe 814/2013

		PHB 13	PHB 18	PHB 21	PHB 24
		233998	233999	234000	234001
Prodhuesi		STIEBEL ELTRON	STIEBEL ELTRON	STIEBEL ELTRON	STIEBEL ELTRON
Profili i ngarkesës		XS	S	S	S
Klasa e efikasitetit të energjisë		A	A	A	A
Shkalla energjetike e ndikimit	%	39	38	38	38
Konsumi vjetor i energjisë elektrike	kWh	469	483	483	483
Niveli i fuqisë së tingullit	dB(A)	15	15	15	15
Udhëzime të veçanta për matjen e efikasitetit		asnjë	asnjë	asnjë	asnjë
Konsumi ditor i energjisë elektrike	kWh	2,148	2,215	2,197	2,186

## Të dhënat teknike

### 15.8 Tabela e të dhënave

		PHB 13	PHB 18	PHB 21	PHB 24
		233998	233999	234000	234001
<b>Të dhënat elektrike</b>					
Tensioni nominal	V	380	400	380	400
Shkalla e fuqisë nominale I min.	kW	4,2	4,6	5,7	6,3
Shkalla e fuqisë nominale I maks.	kW	9,6	10,6	12,9	14,3
Shkalla e fuqisë nominale II min.	kW	6,1	6,8	8,3	9,2
Shkalla e fuqisë nominale II maks.	kW	12,2	13,5	16,3	18
Rryma nominale	A	18,5	19,5	24,7	26
Sigurimi	A	20	20	25	25
Fazat		3/PE	3/PE	3/PE	3/PE
Frekuenca	Hz	50/60	50/60	50/60	50/60
Rezistenca specifike $\rho_{15} \geq$	$\Omega$ cm	900	900	900	900
Përçueshmëria specifike $\sigma_{15} \leq$	$\mu S/cm$	1111	1111	1111	1111
<b>Versionet</b>					
Ngjyra		e bardhë	e bardhë	e bardhë	e bardhë
Mbrojtja (IP)		IP25	IP25	IP25	IP25
Sistemi i ngrohjes së gjeneruesit të ngrohtësisë		Tel i zhveshur	Tel i zhveshur	Tel i zhveshur	Tel i zhveshur
<b>Lidhjet</b>					
Lidhja e ujit		G 1/2 A	G 1/2 A	G 1/2 A	G 1/2 A
<b>Kufijtë e përdorimit</b>					
Presioni maks. i lejuar	MPa	1	1	1	1
<b>Vlerat</b>					
Temperatura maks. e lejuar e furnizimit	$^{\circ}C$	25	25	25	25
Humbja e presionit në rrymën e vëllimit	MPa	0,09	0,11	0,13	0,15
Rryma e vëllimit për humbjen e presionit	l/min	3,9	4,5	5,6	6,3
Kufizimi i rrymës së vëllimit në	l/min	4,7	5,9	7,0	7,8
Ofrimi i ujit të ngrohtë	l/min	7,0	9,4	11,1	12,5
$\Delta\theta$ gjatë dhënies	K	26	26	26	26
<b>Të dhënat e sistemit hidraulik</b>					
Përmbajtja nominale	l	0,4	0,4	0,4	0,4
<b>Dimensionet</b>					
Gjatësia	mm	485	485	485	485
Gjerësia	mm	226	226	226	226
Thellësia	mm	93	93	93	93
<b>Peshat</b>					
Pesha	kg	3,6	3,6	3,6	3,6



#### Udhëzim

Pajisja përputhet me IEC 61000-3-12.

## Garancia

Për pajisjet e blera jashtë Gjermanisë, kushtet e garancisë nuk vlejnë për kompanitë tona gjermane. Për më tepër, në vendet ku një nga filialet tona shet produktet tona, mund të jepet një garanci vetëm nga ai filial. Një garanci e tillë jepet vetëm nëse filiali ka dorëzuar kushtet individuale të garancisë. Përveç këtij rasti, nuk jepet garanci.

Për pajisjet që blihen në vende ku asnjë nga filialet tona nuk shet asnjë produkt tonin, ne nuk japim garanci. Garancitë e mundshme të siguruar nga importuesi mbeten këtu të pa-prekura.

## Mjedisi dhe riciklimi

Ju lutemi, ndihmoni për të mbrojtur mjedisin. Hidhni materiallet pas përdorimit sipas rregulloreve kombëtare.

## ПОСЕБНИ СОВЕТИ

## РАКУВАЊЕ

<b>1. Општи совети</b>	<b>59</b>
1.1 Безбедносни совети	59
1.2 Другите ознаки во оваа документација	59
1.3 Мерни единици	59
<b>2. Безбедност</b>	<b>59</b>
2.1 Прописна примена	59
2.2 Општи безбедносни совети	60
2.3 Ознака за испитување	60
<b>3. Опис на уредот</b>	<b>60</b>
<b>4. Поставки</b>	<b>60</b>
4.1 Препорачано поставување на арматурите	60
<b>5. Чистење, нега и одржување</b>	<b>61</b>
<b>6. Отстранување проблеми</b>	<b>61</b>

## ИНСТАЛАЦИЈА

<b>7. Безбедност</b>	<b>61</b>
7.1 Општи безбедносни совети	61
7.2 Прописи, стандарди и одредби	61
<b>8. Опис на уредот</b>	<b>61</b>
8.1 Опсег на испорака	61
<b>9. Подготовки</b>	<b>62</b>
9.1 Место на монтажа	62
9.2 Водоводна инсталација	62
<b>10. Монтажа</b>	<b>63</b>
10.1 Стандардна монтажа	63
10.2 Алтернативна монтажа	65
10.3 Завршување на монтажата	66
<b>11. Пуштање во работа</b>	<b>67</b>
11.1 Прво пуштање во работа	67
11.2 Повторно пуштање во работа	67
<b>12. Исклучување од работа</b>	<b>67</b>
<b>13. Отстранување пречки</b>	<b>67</b>
<b>14. Одржување</b>	<b>68</b>
<b>15. Технички податоци</b>	<b>68</b>
15.1 Димензии и приклучоци	68
15.2 Шематски дијаграм	69
15.3 Капацитет на топла вода	69
15.4 Подрачје на примена / Табела за конверзија	70
15.5 Загуби на притисок	70
15.6 Услови на пречки	70
15.7 Податоци за потрошувачката на енергија	70
15.8 Табела со податоци	71

## ГАРАНЦИЈА

## ЖИВОТНА СРЕДИНА И РЕЦИКЛИРАЊЕ

## ПОСЕБНИ СОВЕТИ

- Децата над 3 години, како и лицата со ограничени телесни, сетилни или ментални способности или без доволно искуство и знаење може да го користат уредот под надзор или доколку бидат упатени во безбедното ракување и ги разбираат опасностите коишто произлегуваат оттаму. Децата не смеат да си играат со апаратот. Децата не смеат да го чистат или да спроведуваат корисничко одржување без надзор.
- Во текот на работата, арматурата може да се загрее на преку 60 °C. При истечни температури поголеми од 43 °C постои опасност од попарување.
- Уредот не е наменет за снабдување туш (туширање).
- Уредот мора да може да се одвојува од мрежниот приклучок преку разделна патека од минимум 3 mm, во сите полови.
- Наведениот напон мора да одговара на напонот на мрежата.
- Уредот мора да се приклучи на заштитен вод.
- Уредот мора постојано да биде приклучен на фиксно ожичување.
- Прицврстете го уредот како што е опишано во поглавјето „Инсталација / Монтажа“.
- Придржувајте се кон максималниот дозволен притисок (види поглавја „Инсталација / Технички податоци / Табела со податоци“).
- Специфичниот отпор на водата на мрежата за водоснабдување не смее да биде под минималното ниво (види поглавја „Инсталација / Технички податоци / Табела со податоци“).

- Испразнете го уредот како што е опишано во поглавјето „Инсталација / Одржување / Празнење на уредот“.

# РАКУВАЊЕ

## 1. Општи совети

Поглавјата „Посебни совети“ и „Ракување“ се однесуваат на корисникот и на специјализираниот техничар.

Поглавјето „Инсталација“ се однесува на специјализираниот техничар.



### Напомена

Внимателно прочитајте го ова упатство пред ракувањето и чувајте го. Предадете го упатството ако е потребно на следниот корисник.

### 1.1 Безбедносни совети

#### 1.1.1 Состав на безбедносните совети



#### СИГНАЛЕН ЗБОР вид опасност

Тука стојат можните последици од непочитување на безбедносниот совет.

- Тука стојат мерките за одбрана од опасноста.

#### 1.1.2 Символи, вид опасност

Симбол	Вид опасност
	Повреда
	Струен удар
	Горење (горење, попарување)

#### 1.1.3 Сигнални зборови

СИГНАЛЕН ЗБОР	Значење
ОПАСНОСТ	Совети, чиешто непочитување ќе доведе до тешки повреди или смрт.
ПРЕДУПРЕДУВАЊЕ	Совети, чиешто непочитување може да доведе до тешки повреди или смрт.
ВНИМАНИЕ	Совети, чиешто непочитување може да доведе до средни или лесни повреди.

## 1.2 Другите ознаки во оваа документација



### Напомена

Општите совети се означени со симболот којшто стои отстрана.

- Внимателно прочитајте ги советите.

Симбол	Значење
	Материјална штета (Оштетување на уредите, консеквентна штета, загрозување на животната средина)
	Отстранување на уредите

- Овој симбол кажува дека треба нешто да направите. Потребните дејства ќе бидат опишани чекор по чекор.

## 1.3 Мерни единици



### Напомена

Ако не е поинаку наведено, сите мерки се во милиметри.

## 2. Безбедност

### 2.1 Прописна примена

Уредот е предвиден за домашна примена. Со него не можат безбедно да ракуваат лицата коишто не се упатени. Уредот може да се примени и надвор од домаќинството, на пр. во мали компании, доколку се користи на истиот начин.

Овој уред под притисок служи за загревање вода за пиење. Уредот може да снабдува едно или повеќе места за пуштање.

Поинаква примена или примена која го надминува наведеното важи за непрописна. Кон соодветна употреба припаѓа и придржувањето кон ова упатство како и упатствата за поставениот прибор.



### Напомена

Уредот не е одобрен за дополнително загревање претходно загреана вода.

## 2.2 Општи безбедносни совети



### ВНИМАНИЕ горење

Во текот на работата, арматурата може да се загрее на преку 60 °C. При истечни температури поголеми од 43 °C постои опасност од попарување.



### ПРЕДУПРЕДУВАЊЕ повреда

Децата над 3 години, како и лицата со ограничени телесни, сетилни или ментални способности или без доволно искуство и знаење може да го користат уредот под надзор или доколку бидат упатени во безбедното ракување и ги разбираат опасностите коишто произлегуваат оттаму. Децата не смеат да си играат со апаратот. Децата не смеат да го чистат или да спроведуваат корисничко одржување без надзор.



### Материјална штета

Корисникот треба да ги заштити уредот и арматурата од мраз.

## 2.3 Ознака за испитување

Види плочка со ознаки на уредот.

## 3. Опис на уредот

Хидраулично управуваниот проточен бојлер ја загрева водата додека таа струи низ него. Кога ќе се отвори некоја арматура и ќе се пречекори количината за вклучување (види поглавје „Технички податоци / Табела со податоци“), автоматски се вклучува греењето. Количината и температурата на топлата вода можат да се дотеруваат на арматурата.

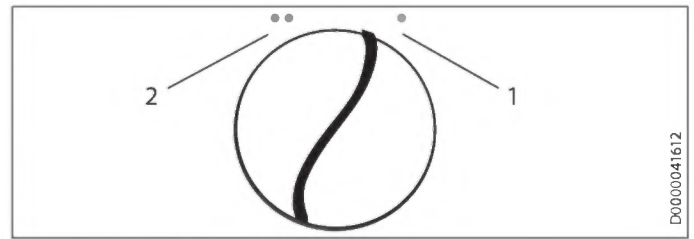
Имате на избор 2 степен на моќност. Во зависност од проточната количина, дополнително се врши хидраулично управување со 2 степен на моќност.

Регулирањето на проточната количина ги компензира колебањата на притисокот и се грижи за рамномерна температура. Регулацијата ја ограничува проточната количина, и на тој начин обезбедува доволно зголемување на температурата на водата за пиење.

### Греен систем

Системот за греење со гола жица има пластична обвивка, отпорна на притисок. Системот за греење е наменет за мека и тврда вода и во голема мера е нечувствителен на калцификација. Системот за греење се грижи за брзо и ефикасно снабдување со топла вода.

## 4. Поставки



### 1 Делумна моќност

При ниска проточна количина се вклучува 1/3 од грејната моќност, додека при поголема проточна количина се вклучуваат 2/3 од грејната моќност. Оваа поставка е погодна, на пр. за миеење раце.

### 2 Полна моќност

При ниска проточна количина се вклучува половина од грејната моќност, додека при поголема проточна количина се вклучува полната грејна моќност. Оваа поставка е погодна, на пр. за миеење садови.

► Вклопете го бирачот во саканата положба.

### Препорачано поставување при примена на термостатска арматура

► Поставете го бирачот на полна моќност.

### 4.1 Препорачано поставување на арматурите



#### Напомена

Доколку при целосно отворен вентил и максимална моќност не се постигнува доволна истечна температура, тоа значи дека низ уредот тече повеќе вода отколку што грејниот систем може да загрее (уредот е на границата на моќноста).

► Намалете ја количината на водата на вентилот за пуштање.

пуштање мала количина = висока истечна температура

пуштање голема количина = ниска истечна температура

### Дворачна арматура

Степен на моќност	Подрачје на примена
Делумна моќност	Мијалник
Полна моќност	Када, мијалник

► При превисока температура и целосно отворена арматура промешајте студена вода.

### Еднорачна батерија

Степен на моќност	Подрачје на примена
Полна моќност	Сите

► Завртете ја рачката на арматурата на највисока температура.

► Отворете ја арматурата докрај.

► Зголемете ја истечната температура, така што полека ќе ја затворате арматурата.

- ▶ Намалете ја истечната температура, така што ќе помешате студена вода или ќе ја отворите арматурата колку што е можно повеќе.

**По прекин во снабдувањето со вода**



**Материјална штета**

По прекин во снабдувањето со вода, уредот мора повторно да се пушти во работа со следните чекори за да не дојде до уништување на системот за греење со голи жици.

- ▶ Исклучете го напонот со исклучување на осигурувачите.
- ▶ Отворете го вентилот една минута, додека уредот и претходно вклучениот довод на студена вода не го испуштат воздухот.
- ▶ Повторно вклучете го мрежниот напон.

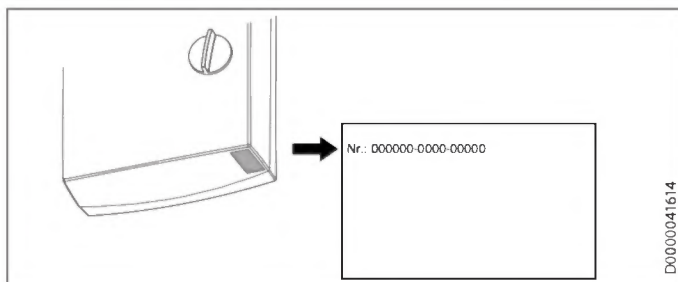
**5. Чистење, нега и одржување**

- ▶ Не користете абразивни средства за чистење или растворувачи. За нега и чистење на уредот доволна е влажна крпа.
- ▶ Редовно проверувајте ги арматурите. Бигорот на арматурните испусти можете да го отстраните со вообичаени средства за отстранување бигор.

**6. Отстранување проблеми**

Проблем	Причина	Отстранување
И покрај целосно отворениот вентил за топла вода уредот не се вклучува.	Нема напон.	Проверете ги осигурувачите во домашната инсталација.
	Проточната количина е премала за да се вклучи греењето. Регулаторот на млаз во арматурата.	Исчистете и / или отстранете го бигорот од регулаторот на млазот.

Доколку не можете да ја отстраните причината, повикајте стручен техничар. За подобра и побрза помош, соопштете му го бројот од плочката со ознаки (000000-0000-00000).



ИНСТАЛАЦИЈА

**7. Безбедност**

Инсталацијата, првото пуштање во работа на овој уред како и одржувањето и поправките смее да ги изведува само специјализиран техничар.

**7.1 Општи безбедносни совети**

Гарантираме беспрекорно функционирање и работна безбедност само ако за уредот се користат соодветниот оригинален прибор и оригиналните резервни делови.



**Материјална штета**

Придржувајте се кон максималната приливна температура. При повисоки температури може да се оштети уредот. Со вградување централна термостатска арматура можете да ја ограничите максималната приливна температура.

**7.2 Прописи, стандарди и одредби**



**Напомена**

Придржувајте се кон сите национални и регионални прописи и одредби.

- Видот заштита IP 25 (заштита од вода во млаз) е гарантирана само со прописно монтиран ракавец на кабелот.
- Специфичниот електричен отпор на водата не смее да биде помал од оној, наведен на плочката со ознаки. Кај поврзана водоводна мрежа треба да се запази минималниот електричен отпор на водата (види поглавја „Технички податоци / Подрачја на примена / Табела за конверзија“). Специфичниот електричен отпор на водата или електричната спроводливост на водата ќе ги дознаете во претпријатието за водоснабдување.

**8. Опис на уредот**

**8.1 Опсег на испорака**

Со уредот се испорачуваат:

- Додаток за закачување на сид
- навоен клин, за закачување на сид
- шаблон за монтажа
- 2 дупли нипли (студена вода со затворачки вентил)
- рамни дихтунзи
- кабелски ракавец (електричен довод горе / долу)
- завртки / типли за прицврстување на задниот сид, при приклучување на водата на завршен сид

За замена на уреди:

- 2 продолжетоци

### 9. Подготовки

#### 9.1 Место на монтажа



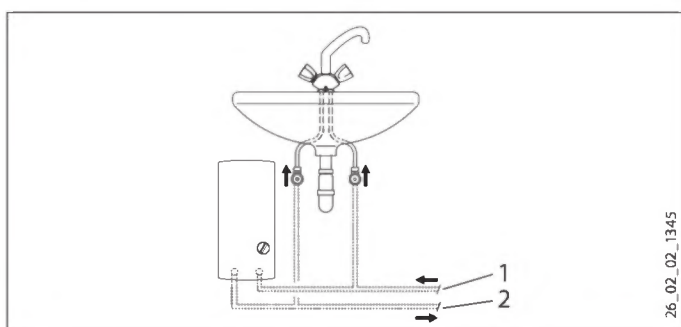
##### Материјална штета

Уредот смее да се инсталира само во просторија, во која нема опасност од мраз.

- ▶ Монтирајте го уредот вертикално и во близина на местото на пуштање.

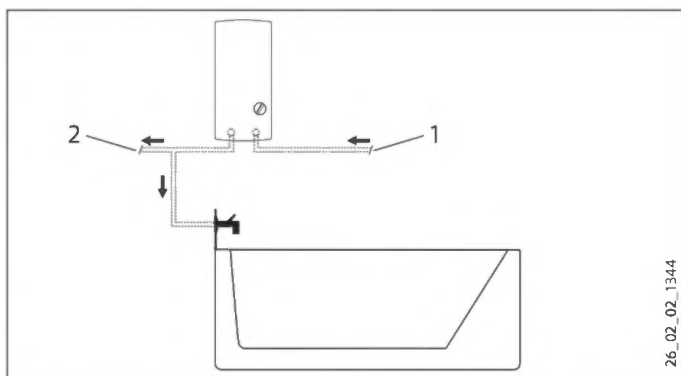
Уредот е погоден за висока и ниска монтажа.

##### Ниско-монтажно



- 1 Прилив на студена вода
- 2 Испуст на топла вода

##### Високо-монтажно



- 1 Прилив на студена вода
- 2 Испуст на топла вода



##### Напомена

- ▶ Монтирајте го уредот на сидот. Сидот мора да има доволна носивост.

#### 9.2 Водоводна инсталација

- Работата со претходно загреана вода не е дозволена.
- Не е потребен безбедносен вентил.
- Во цевките за топла вода не се дозволени безбедносни вентили.
- ▶ Добро исперете го водоводот.
- ▶ Проверете дали е постигнат протокот (види поглавја „Технички податоци / Табела со податоци“) за вклучување на уредот. Ако протокот не се постигне при целосно отворен вентил, зголемете го притисокот во водоводот.

##### Арматури

Користете соодветни притисочни арматури. Отворени арматури не се дозволени.

Термостатските притисочни арматури мора да бидат погодни за хидраулично управувани проточни бојлери.



##### Напомена

Затворачкиот вентил во доводот за студена вода не смеете да го користите за придушување на протокот. Служи за затворање на уредот.

##### Дозволени материјали на цевките за вода

- Довод на ладна вода:  
топлопоцинкувана челична цевка, цевка од облагороден челик, бакарна цевка или цевка од пластика
- Испуст на топла вода:  
цевка од облагороден челик, бакарна цевка или пластична цевка



##### Материјална штета

При примена на пластични цевни системи придржувајте се кон максималната приливна температура и максимално дозволениот притисок (види поглавја „Технички податоци / Табела со податоци“).

##### Флексибилни водови за приклучување на водата

- ▶ При инсталација со флексибилни водови за приклучување на водата спречете го извртувањето на колената на цевките со помош на бајонетни врски.
- ▶ Прицврстете го задниот сид долу со две дополнителни завртки.

### 10. Монтажа

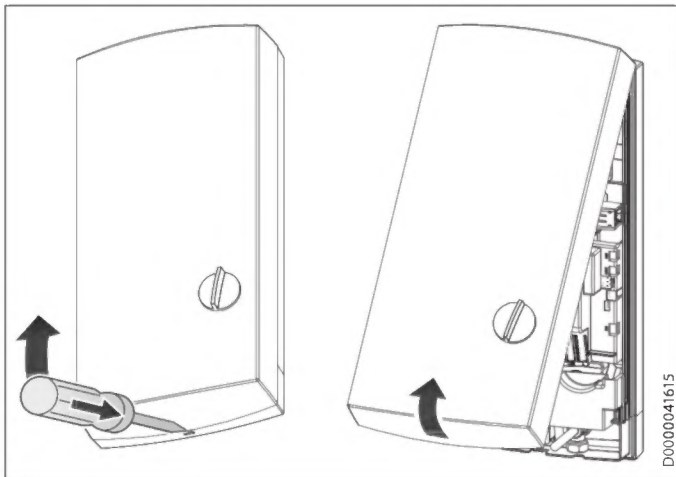
#### 10.1 Стандардна монтажа

- Приклучување на струја горе, монтажа во сид
- Приклучување на вода, монтажа во сид

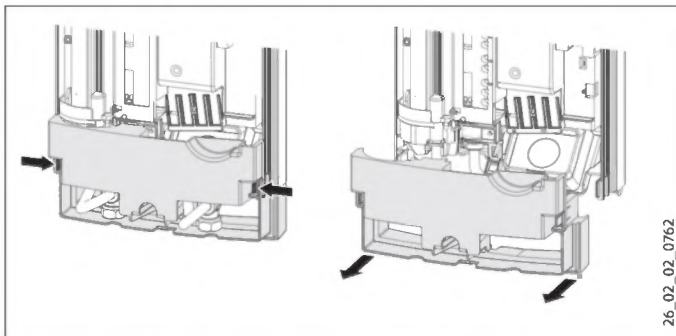
За други можности за монтажа види поглавје „Алтернативна монтажа“:

- Приклучување струја со монтажа во сид - долу
- Приклучување струја на завршен сид
- Приклучување релеј за отфрлање товар
- Водоводна инсталација на завршен сид
- Приклучување вода во сид, при замена на уред

#### Отворање на уредот

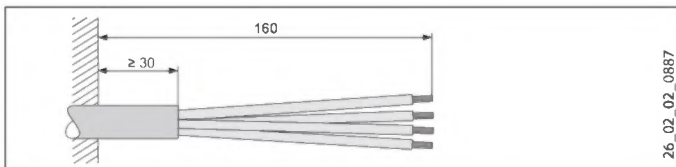


- ▶ Отворете го уредот, така што ќе го отклучите резето.

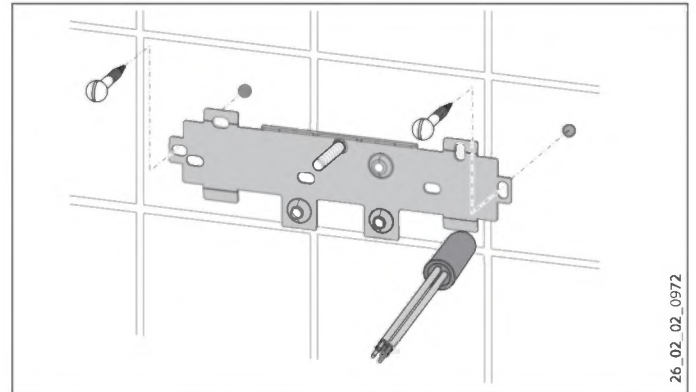


- ▶ Одвојте го задниот сид, така што ќе ги притиснете двете куки и ќе го повлечете долниот дел на задниот сид напред.

#### Подготовка на кабелот за приклучување на струја

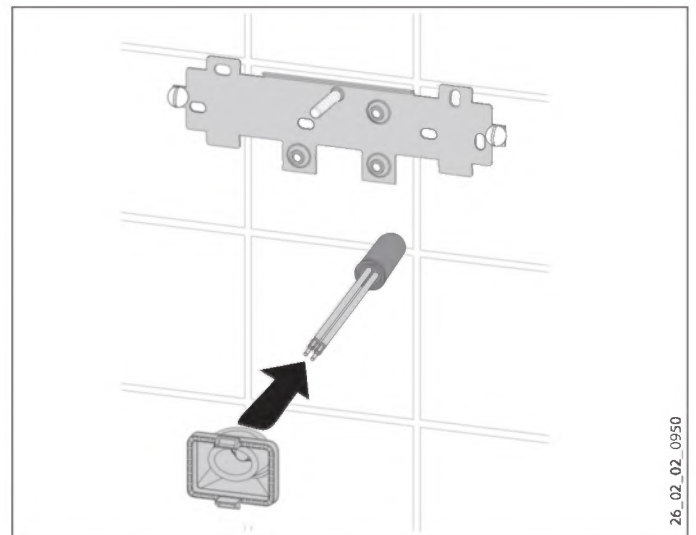


#### Монтажа на сидниот држач



- ▶ Исцртајте ги дупките со помош на монтажниот шаблон. При монтажа со приклучоци за вода на завршен сид, дополнително мора да ги исцртате и дупките за прицврстување во долниот дел од шаблонот.
- ▶ Направете ги дупките и прицврстете го сидниот држач со 2 завртки и 2 типли (завртките и типлите не се испорачани).
- ▶ Монтирајте го приложениот навоен клин.
- ▶ Монтирајте го сидниот држач.

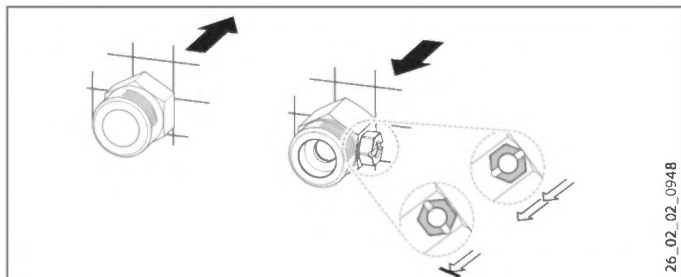
#### Монтажа на кабелскиот ракавец



- ▶ Монтирајте го кабелскиот ракавец. Ако приклучниот кабел е  $> 6 \text{ mm}^2$ , мора да ја зголемите дупката во ракавецот.

### Приклучување вода

- !** **Материјална штета**  
Изведете ги сите работи за приклучување вода и монтирање според прописот.



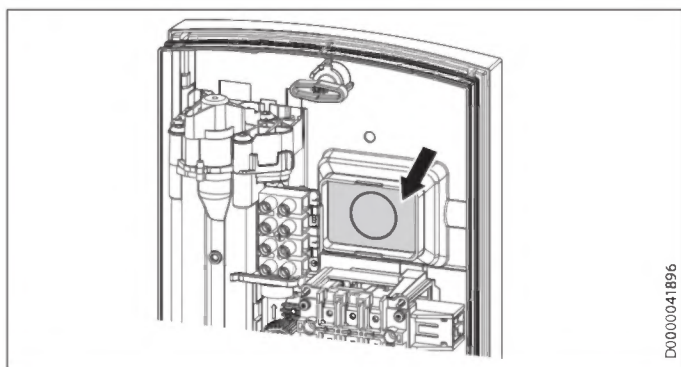
26\_02\_02\_0948

- Задихтувајте ја и зашрафете ја дуплата нипла.

- !** **Материјална штета**  
Затворачкиот вентил во доводот за студена вода не смеете да го користите за придушување на протокот.

### Подготвување на задниот сид

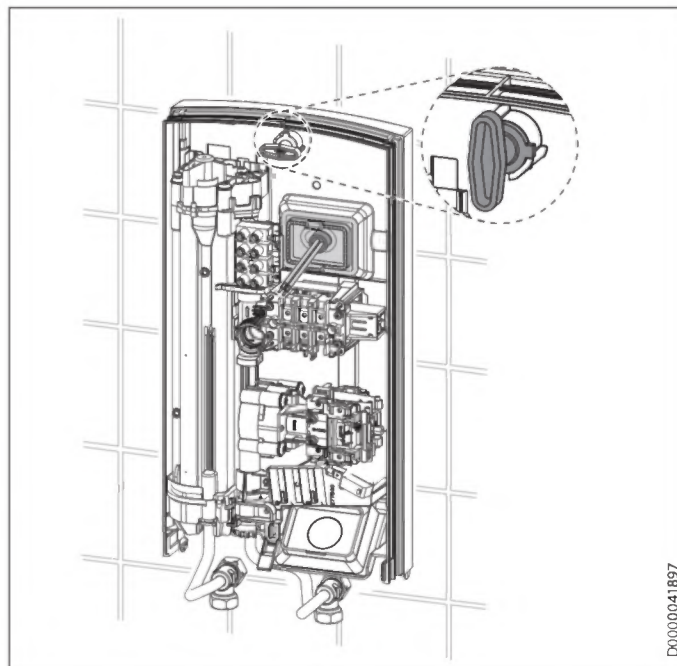
- !** **Материјална штета**  
Доколку по грешка сте пробиле погрешна дупка за кабелскиот ракавец, ќе мора да употребите нов заден сид.



D0000041896

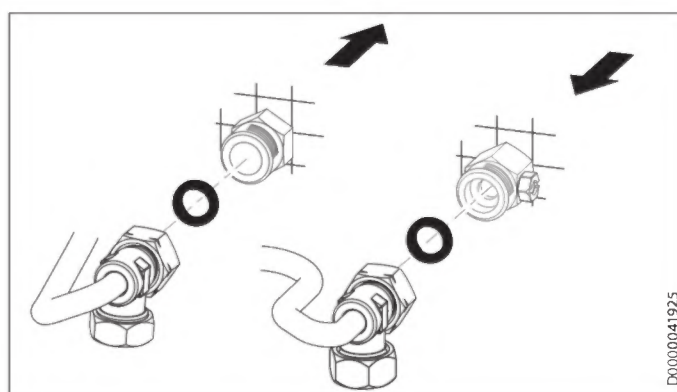
- Прецизно пробийте го местото за кабелскиот ракавец. Израмнете ги острите рабови со турпија.

### Монтажа на уредот



D0000041897

- Вклопете го задниот сид преку навојниот клин и кабелскиот ракавец. Повлечете го ракавецот со помош на клешти за куките за прицврстување во задниот сид, додека не слушнете вклопување на двете куки.
- Извадете ги заштитните транспортни затки од приклучоците за вода.
- Цврсто притиснете го задниот сид и заклучете ја полу-гата за прицврстување со вртење во десно за 90°.



D0000041925

- Зашрафете ги приклучните цевки за вода со рамни дихтунзи на дуплите нипли.

- !** **Материјална штета**  
За функционирање на уредот, ситото мора секогаш да е вградено.
- При замена на уредот проверете дали ситото е на место (види поглавје „Одржување“).

### Воспоставување на приклучување на струја



**ПРЕДУПРЕДУВАЊЕ** струен удар  
Изведете ги електриката и инсталацијата по пропис.



**ПРЕДУПРЕДУВАЊЕ** струен удар  
Приклучувањето на струја е дозволено само како фиксен приклучок во врска со кабелскиот ракавец што се вади. Уредот мора да може да се одвојува од мрежниот приклучок преку разделна патека од минимум 3 mm, во сите полови.



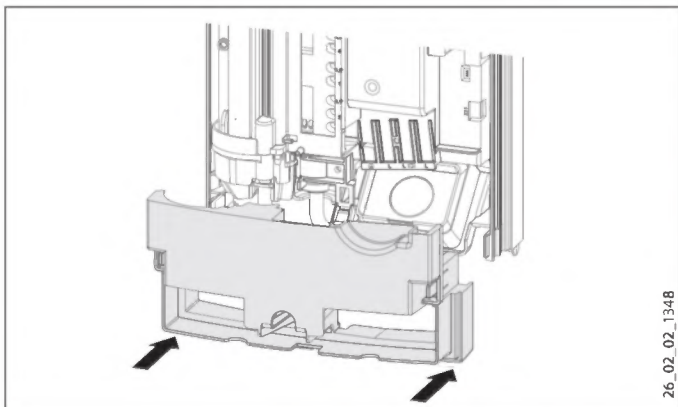
**ПРЕДУПРЕДУВАЊЕ** струен удар  
Внимавајте на тоа, уредот да биде приклучен на кабел за заземјување.



**Материјална штета**  
Придржувајте се кон податоците од плочката со ознаки. Наведениот напон мора да одговара на напонот на мрежата.

- ▶ Приклучете го кабелот на клемата за приклучување на струја (види поглавја „Технички податоци / Шематски дијаграм“).

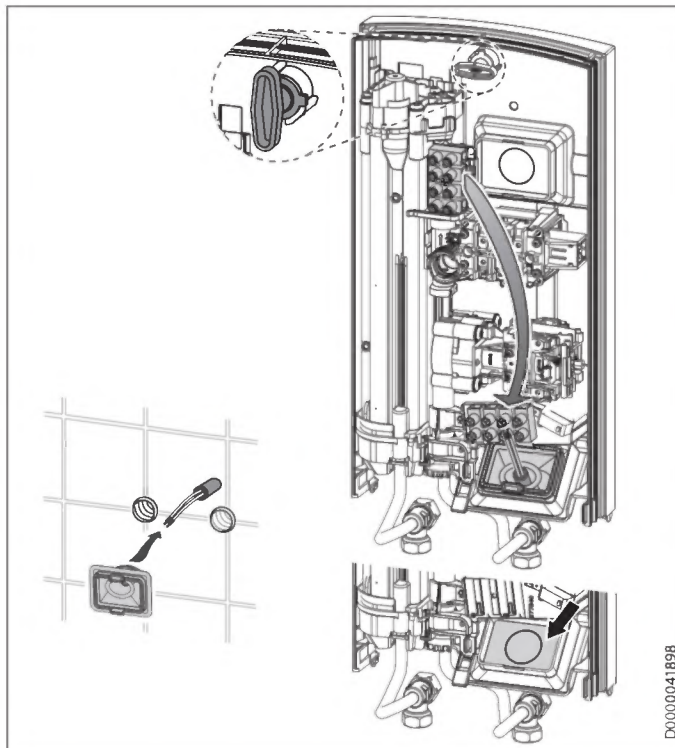
### Монтажа на долниот дел од задниот сид



- ▶ Монтирајте го долниот дел во задниот сид и прицврстете го.
- ▶ Наместете го монтираниот уред, така што ќе ја ослободите полугата за прицврстување, ќе ги порамните приклучувањето на струја и задниот сид и повторно ќе ја прицврстите полугата. Доколку задниот сид од уредот не лежи рамно, уредот треба да го прицврстите со две дополнителни завртки во долниот дел.

## 10.2 Алтернативна монтажа

### 10.2.1 Приклучување струја со монтажа во сид - долу



- ▶ Монтирајте го кабелскиот ракавец.



**Материјална штета**  
Доколку по грешка сте пробиле погрешна дупка за кабелскиот ракавец, ќе мора да употребите нов заден сид.

- ▶ Прецизно пробијте го местото за кабелскиот ракавец. Израмнете ги остриите рабови со турпија.
- ▶ Поместете ја клемата за приклучување на струја во уредот од горе надолу.
- ▶ Вклопете го задниот сид преку навојниот клин и кабелскиот ракавец. Повлечете го ракавецот со помош на клешти за куките за прицврстување во задниот сид, додека не слушнете вклопување на двете куки.
- ▶ Цврсто притиснете го задниот сид и заклучете ја полугата за прицврстување со вртење во десно за 90°.

### 10.2.2 Приклучување струја на завршен сид



#### Напомена

Со овој вид приклучување се менува видот на заштита на уредот.

- ▶ Променете ја плочката со ознаки. Пречкртајте ја ознаката IP 25 и означете го полето IP 24. Користете пенкало.



#### Материјална штета

Доколку по грешка сте пробиле погрешна дупка за кабелскиот ракавец, ќе мора да употребите нов заден сид.

- ▶ Исечете или пробийте чист отвор за спроведување во задниот сид (за позиции види поглавја „Технички податоци / Димензии и приклучоци“). Израмнете ги острите рабови со турпија.
- ▶ Спроведете го кабелот низ ракавецот и приклучете го на клемата за приклучување на мрежа.

### 10.2.3 Приклучување релеј за отфрлање товар

Во разводната табла вградете релеј за отфрлање товар во комбинација со други електрични уреди, на пр., со електрични уреди за греење со резервоар. Отфрлањето товар следува при активирање на проточниот бојлер.



#### Материјална штета

Приклучете ја фазата, која го вклучува релејот за отфрлање товар, на означената клемма од клемата за приклучување на струја во уредот (види поглавја „Технички податоци / Шематски дијаграм“).

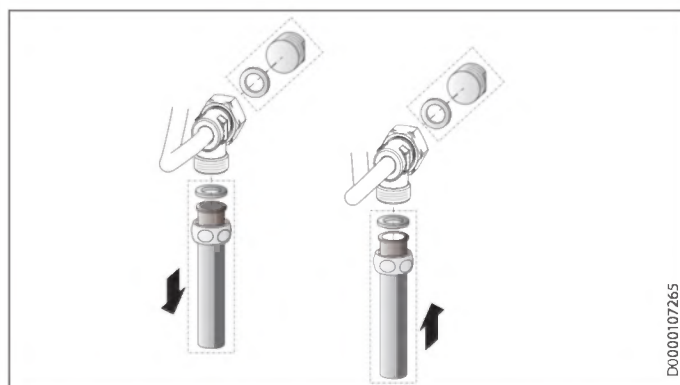
### 10.2.4 Водоводна инсталација на завршен сид



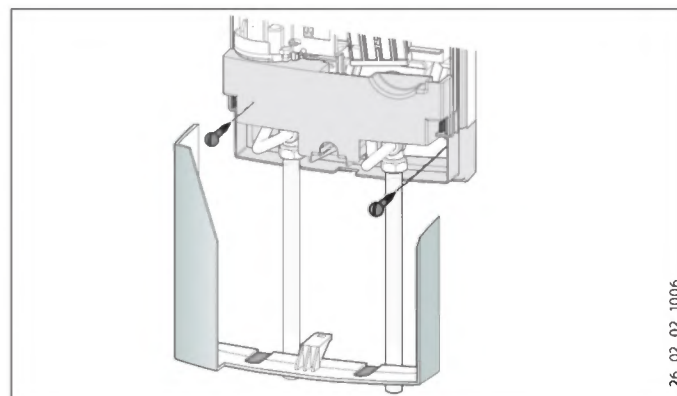
#### Напомена

Со овој вид приклучување се менува видот на заштита на уредот.

- ▶ Променете ја плочката со ознаки. Пречкртајте ја ознаката IP 25 и означете го полето IP 24. Користете пенкало.



- ▶ Монтирајте ги затките за вода со дихтунзи за да го затворите приклучокот во сидот.
- ▶ Монтирајте соодветна притисочна арматура.



26\_02\_02\_1006

- ▶ Прицврстете го задниот сид долу со две дополнителни завртки.
- ▶ Навлечете го долниот дел од задниот сид под приклучните цевки од арматурата и вклопете го.
- ▶ Зашрафете ги приклучните цевки со уредот.



#### Материјална штета

Доколку по грешка пробите погрешна дупка во капата на уредот, ќе мора да употребите нова капа на уредот.

- ▶ Прецизно искршете ги отворите за спроведување во капата на уредот. Израмнете ги острите рабови со турпија.

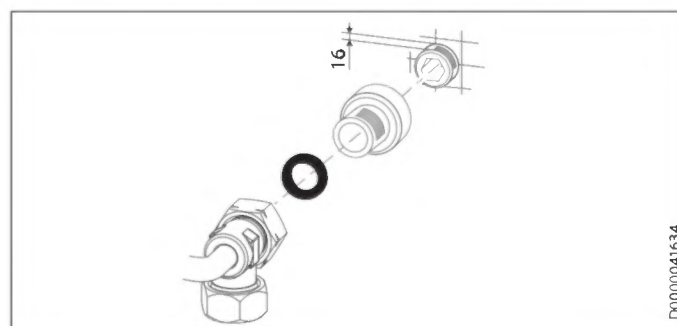
### 10.2.5 Водоводна инсталација во сид, при замена на уред

Ако постоечките дупли нипли на стариот уред стрчат само околу 16 mm од сидот, не можете да ги користите испорачаните дупли нипли.



#### Напомена

Кај ова приклучување затворањето на доводот за студена вода е можно само во домашната инсталација.



D0000041634

- ▶ Задихтувајте ги и зашрафете ги приложените продолжетоци.
- ▶ Приклучете го уредот.

### 10.3 Завршување на монтажата

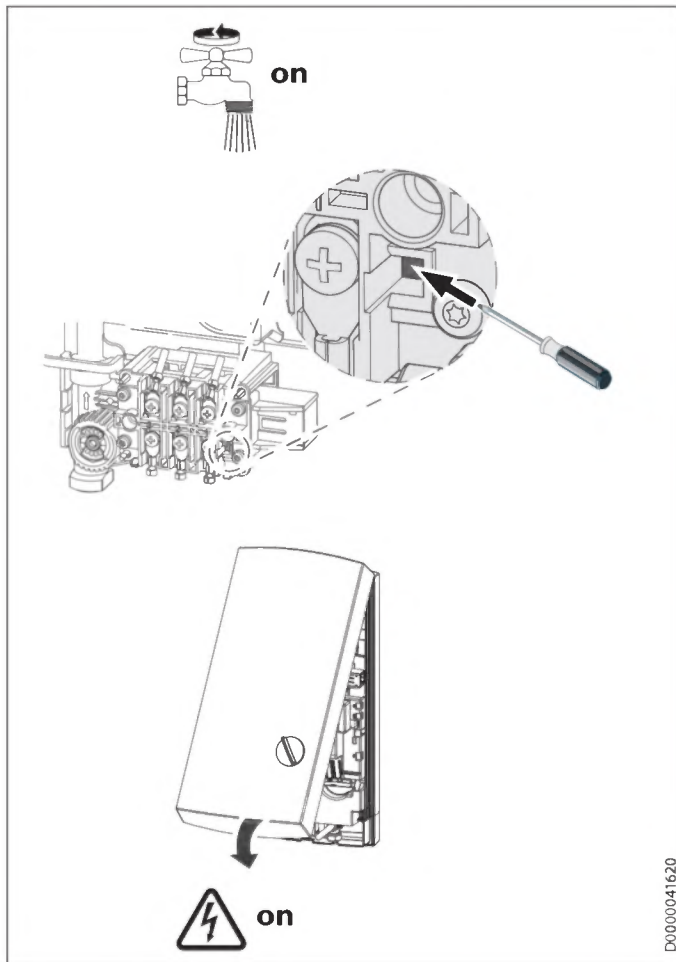
- ▶ Отворете го затворачкиот вентил во дуплата нипла или во доводот на студена вода.

### 11. Пуштање во работа



**ПРЕДУПРЕДУВАЊЕ** струен удар  
Пуштањето во работа смее да го изведува само специјализиран техничар, придржувајќи се кон безбедносните прописи.

#### 11.1 Прво пуштање во работа



- ▶ Отворајте и затворајте ги повеќепати сите приклучени вентили за пуштање вода, сè додека од доводната мрежа и уредот не се испушти сиот воздух.
- ▶ Проверете го дихтувањето.
- ▶ Активирајте го безбедносниот ограничувач на притисокот, така што силно ќе го притиснете тастерот за враќање во првобитна положба (уредот се испорачува со деактивиран безбедносен ограничувач на притисок).
- ▶ Монтирајте ја капата на уредот. Треба да слушнете дека се вклопила. Проверете дали капата на уредот лежи правилно.
- ▶ Вклучете го мрежното напојување.
- ▶ Проверете го режимот на работа на уредот.

#### Предавање на уредот

- ▶ Објаснете му ја на корисникот функцијата на уредот и запознајте го со користењето на уредот.
- ▶ Упатете го на можните опасности, посебно на опасноста од попарување.
- ▶ Предајте го ова упатство.

#### 11.2 Повторно пуштање во работа

Испуштете го воздухот од уредот и од доводот на студена вода (види поглавје „Поставки“).

Види поглавје „Прво пуштање во работа“.

### 12. Исклучување од работа

- ▶ Одвојте го уредот од мрежниот приклучок во сите полови.
- ▶ Испразнете го уредот (види поглавје „Одржување“).

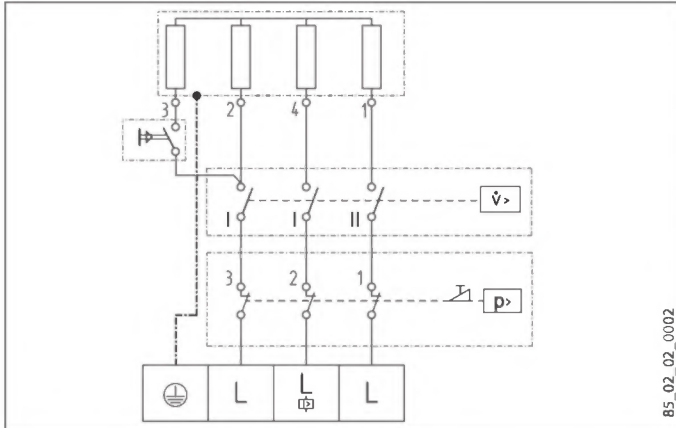
### 13. Отстранување пречки

Пречка	Причина	Отстранување
Премал проток.	Ситото во уредот е валкано.	Исчистете го ситото.
И покрај целосно отворената арматура, регулаторот на проточната количина не се вклучува.	Не се постигнува потребната количина за вклучување на греењето.	Исчистете го ситото.
И покрај тоа што се слуша вклучување на прекинувачот за диференцијален притисок, уредот не создава топла вода.	Безбедносниот ограничувач на притисокот (AP 3) го исклучил уредот од безбедносни причини.	Отстранете ја причината за грешката (на пр. дефектен вентил за испирање).
		Заштитете го грејниот систем од прегревање, така што една минута ќе го отворите вентилот, приклучен веднаш по уредот. Со тоа, грејниот систем се ослободува од притисокот и се лади.
		Активирајте го безбедносниот ограничувач на притисокот при проточен притисок, така што ќе го притиснете тастерот за враќање во првобитна положба (види поглавје „Прво пуштање во работа“).
	Дефект на грејниот систем.	Измерете го отпорот на грејниот систем и, по потреба, заменете го отпорникот.



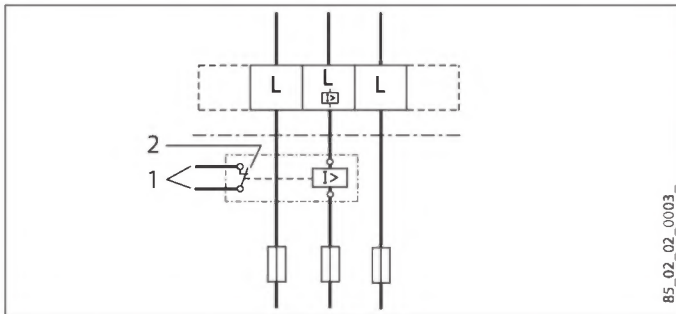
### 15.2 Шематски дијаграм

3/PE ~ 400 V



- 1 Греење
- 2 Безбедносен ограничувач на температура
- 3 Безбедносен ограничувач на притисок

### Приоритетна склопка со LR 1-A



- 1 Управувачки вод за контакторот од вториот уред (на пр. електрично греење со резервоар).
- 2 Управувачкиот контакт отвора при вклучување на проточниот бојлер.

### 15.3 Капацитет на топла вода

Капацитетот на топла вода зависи од постојниот мрежен напон, приклучната моќност на уредот и приливната температура на студената вода. Номиналниот напон и номиналната моќност ќе ги најдете на плочката со ознаки (види поглавје „Отстранување проблеми“).

	Приклучна моќност во kW		38 °C капацитет на топла вода во l/min.			
	Номинален напон		Приливна температура на студена вода			
	380 V	400 V	5 °C	10 °C	15 °C	20 °C
<b>PHV 13</b>						
I макс.	9,6		4,2	4,9	6,0	7,6
I макс.		10,6	4,6	5,4	6,6	8,4
II макс.	12,2		5,3	6,2	7,6	9,7
II макс.		13,5	5,8	6,9	8,4	10,7
<b>PHV 18</b>						
I макс.	12,9		5,6	6,6	8,0	10,2
I макс.		14,3	6,2	7,3	8,9	11,3
II макс.	16,3		7,1	8,3	10,1	12,9
II макс.		18	7,8	9,2	11,2	14,3
<b>PHV 21</b>						
I макс.	15,2		6,6	7,8	9,4	12,1
I макс.		16,8	7,3	8,6	10,4	13,3
II макс.	19		8,2	9,7	11,8	15,1
II макс.		21	9,1	10,7	13,0	16,7
<b>PHV 24</b>						
I макс.	17,1		7,4	8,7	10,6	13,6
I макс.		19	8,2	9,7	11,8	15,1
II макс.	21,7		9,4	11,1	13,5	17,2
II макс.		24	10,4	12,2	14,9	19,0

	Приклучна моќност во kW		50 °C капацитет на топла вода во l/min.			
	Номинален напон		Приливна температура на студена вода			
	380 V	400 V	5 °C	10 °C	15 °C	20 °C
<b>PHV 13</b>						
I макс.	9,6		3,0	3,4	3,9	4,6
I макс.		10,6	3,4	3,8	4,3	5,0
II макс.	12,2		3,9	4,4	5,0	5,8
II макс.		13,5	4,3	4,8	5,5	6,4
<b>PHV 18</b>						
I макс.	12,9		4,1	4,6	5,3	6,1
I макс.		14,3	4,5	5,1	5,8	6,8
II макс.	16,3		5,2	5,8	6,7	7,8
II макс.		18	5,7	6,4	7,3	8,6
<b>PHV 21</b>						
I макс.	15,2		4,8	5,4	6,2	7,2
I макс.		16,8	5,3	6,0	6,9	8,0
II макс.	19		6,0	6,8	7,8	9,0
II макс.		21	6,7	7,5	8,6	10,0
<b>PHV 24</b>						
I макс.	17,1		5,4	6,1	7,0	8,1
I макс.		19	6,0	6,8	7,8	9,0
II макс.	21,7		6,9	7,8	8,9	10,3
II макс.		24	7,6	8,6	9,8	11,4

### 15.4 Подрачје на примена / Табела за конверзија

Специфичен електричен отпор и специфична електрична спроводливост на водата (види поглавје „Технички податоци“).

Нормативен навод при 15 °C			20 °C			25 °C		
Отпор $\rho \geq$	Спроводливост $\sigma \leq$		Отпор $\rho \geq$	Спроводливост $\sigma \leq$		Отпор $\rho \geq$	Спроводливост $\sigma \leq$	
$\Omega \text{ cm}$	$\text{mS/m}$	$\mu\text{S/cm}$	$\Omega \text{ cm}$	$\text{mS/m}$	$\mu\text{S/cm}$	$\Omega \text{ cm}$	$\text{mS/m}$	$\mu\text{S/cm}$
900	111	1111	800	125	1250	735	136	1361

### 15.5 Загуби на притисок

#### Арматури

Паѓање на притисокот на арматурите при проток од 10 l/min		
Еднорачна батерија, околу	MPa	0,04 - 0,08
Термостатска арматура, околу	MPa	0,03 - 0,05
Рачка за туш, околу	MPa	0,03 - 0,15

#### Одредување на димензиите на цевководната мрежа

За пресметка на димензиите на цевководната мрежа за уредот се препорачува загуба на притисок од 0,1 MPa.

### 15.6 Услови на пречки

Во случај на пречка, може да дојде до краткотрајни оптоварувања на инсталацијата од максимум 95 °C при притисок од 1,2 MPa.

### 15.7 Податоци за потрошувачката на енергија

Податоци за производот: Конвенционални бојлери според одредбата (EУ) бр. 812/2013 и 814/2013

		PHV 13	PHV 18	PHV 21	PHV 24
		233998	233999	234000	234001
Производител		STIEBEL ELTRON	STIEBEL ELTRON	STIEBEL ELTRON	STIEBEL ELTRON
Профил на оптоварување		X5	S	S	S
Класа на енергетска ефикасност		A	A	A	A
Енергетска ефикасност	%	39	38	38	38
Годишна потрошувачка на струја	kWh	469	483	483	483
Ниво на звучна моќност	dB(A)	15	15	15	15
Посебни совети за мерење на ефикасноста		нема	нема	нема	нема
Дневна потрошувачка на струја	kWh	2,148	2,215	2,197	2,186

## Технички податоци

## 15.8 Табела со податоци

		PHV 13		PHV 18		PHV 21		PHV 24	
		233998		233999		234000		234001	
<b>Електрични податоци</b>									
Номинален напон	V	380	400	380	400	380	400	380	400
Номинален капацитет степен I мин.	kW	4,2	4,6	5,7	6,3	6,7	7,4	7,5	8,3
Номинален капацитет степен I макс.	kW	9,6	10,6	12,9	14,3	15,2	16,8	17,1	19
Номинален капацитет степен II мин.	kW	6,1	6,8	8,3	9,2	9,7	10,8	11	12,2
Номинален капацитет степен II макс.	kW	12,2	13,5	16,3	18	19	21	21,7	24
Номинална струја	A	18,5	19,5	24,7	26	29,5	31	33,3	35
Осигурување	A	20	20	25	25	32	32	35	35
Фази		3/PE		3/PE		3/PE		3/PE	
Фреквенција	Hz	50/60		50/60		50/60		50/60	
Специфичен отпор $\rho_{15} \geq$	$\Omega \text{ cm}$	900		900		900		900	
Специфична спроводливост $\sigma_{15} \leq$	$\mu\text{S/cm}$	1111		1111		1111		1111	
<b>Изведби</b>									
Боја		бело		бело		бело		бело	
Вид заштита (IP)		IP25		IP25		IP25		IP25	
Грeen систем генератор на топлина		Гола жица		Гола жица		Гола жица		Гола жица	
<b>Приклучоци</b>									
Приклучување на вода		G 1/2 A		G 1/2 A		G 1/2 A		G 1/2 A	
<b>Граници на примена</b>									
Макс. дозволен притисок	MPa	1		1		1		1	
<b>Вредности</b>									
Макс. дозволена приливна температура	$^{\circ}\text{C}$	25		25		25		25	
Опаѓање на притисокот при волуменска струја	MPa	0,09		0,11		0,13		0,15	
Волуменска струја за опаѓање на притисокот	l/min	3,9		4,5		5,6		6,3	
Ограничување волуменска струја при	l/min	4,7		5,9		7,0		7,8	
Предавање топла вода	l/min	7,0		9,4		11,1		12,5	
$\Delta\theta$ при предавање	K	26		26		26		26	
<b>Податоци за хидрауликата</b>									
Номинална содржина	l	0,4		0,4		0,4		0,4	
<b>Димензии</b>									
Висина	mm	485		485		485		485	
Ширина	mm	226		226		226		226	
Длабочина	mm	93		93		93		93	
<b>Тежини</b>									
Тежина	kg	3,6		3,6		3,6		3,6	

**Напомена**

Уредот е сообразен со IEC 61000-3-12.

**Гаранција**

За уредите набавени надвор од Германија не важат гарантните услови на нашите германски друштва. Понатаму, во земјите каде што нашите производи ги дистрибуира наша подружница, гаранцијата може да ја даде само подружницата. Таквата гаранција се дава само тогаш, кога подружницата има издадени сопствени услови за гаранција. Надвор од тоа не се дава никаква гаранција.

За уредите набавени во други земји, во коишто производителот не ги дистрибуира наша подружница, не даваме никаква гаранција. Ова не влијае на евентуалните гаранции дадени од увозникот.

**Животна средина и рециклирање**

Помогнете да ја заштитиме нашата животна средина. Отстранете ги материјалите по употребата во согласност со националните прописи.

## СПЕЦИАЛНИ УКАЗАНИЯ

### ОБСЛУЖВАНЕ

<b>1. Общи указания</b>	<b>73</b>
1.1 Указания за безопасност	73
1.2 Други маркировки в настоящата документация	73
1.3 Мерни единици	73
<b>2. Безопасност</b>	<b>73</b>
2.1 Използване съгласно предписанията	73
2.2 Общи указания за безопасност	74
2.3 Знак за качество	74
<b>3. Описание на уреда</b>	<b>74</b>
<b>4. Настройки</b>	<b>74</b>
4.1 Препоръка за настройка на арматури	74
<b>5. Почистване, поддържане и техническо обслужване</b>	<b>75</b>
<b>6. Отстраняване на проблеми</b>	<b>75</b>

### ИНСТАЛИРАНЕ

<b>7. Безопасност</b>	<b>75</b>
7.1 Общи указания за безопасност	75
7.2 Разпоредби, стандарти и предписания	75
<b>8. Описание на уреда</b>	<b>75</b>
8.1 Обем на доставката	75
<b>9. Подготовка</b>	<b>76</b>
9.1 Място за монтаж	76
9.2 Свързване към водопроводната инсталация	76
<b>10. Монтаж</b>	<b>77</b>
10.1 Стандартен монтаж	77
10.2 Алтернативи за монтаж	79
10.3 Завършване на монтажа	80
<b>11. Пускане в експлоатация</b>	<b>81</b>
11.1 Първоначално пускане в експлоатация	81
11.2 Повторно пускане в експлоатация	81
<b>12. Спиране от експлоатация</b>	<b>81</b>
<b>13. Отстраняване на неизправности</b>	<b>81</b>
<b>14. Техническо обслужване</b>	<b>82</b>
<b>15. Технически данни</b>	<b>82</b>
15.1 Размери и изводи за свързване	82
15.2 Електрическа схема	83
15.3 Възможност за подаване на топла вода	83
15.4 Работни диапазони / Таблица за преизчисляване	84
15.5 Загуби на налягане	84
15.6 Условия на аварии	84
15.7 Данни за енергопотреблението	84
15.8 Таблица с данни	85

### ГАРАНЦИЯ

### ОКОЛНА СРЕДА И РЕЦИКЛИРАНЕ

## СПЕЦИАЛНИ УКАЗАНИЯ

- Уредът може да се използва от деца над 3 години, както и от лица с намалени физически, сетивни и умствени способности или с недостатъчен опит и знания, ако бъдат наблюдавани или са инструктирани относно безопасната употреба на уреда и са разбрали произтичащите от това опасности. С уреда не бива да играят деца. Почистването и потребителското техническо обслужване не бива да се извършват от деца без наблюдение.
- По време на работа арматурата може да достигне температура над 60 °С. При температура на изхода над 43 °С съществува опасност от попарване.
- Уредът не е подходящ за захранване на душ.
- Уредът трябва да може да се отделя от електропреносната мрежа от всички полюси с разделителен участък от най-малко 3 mm.
- Посоченото напрежение трябва да съответства на мрежовото напрежение.
- Уредът трябва да се свърже със защитния проводник.
- Уредът трябва да се свърже за постоянно с твърда връзка към електрическата мрежа.
- Закрепете уреда, както е показано в глава „Инсталиране / Монтаж“.
- Спазвайте максимално допустимото налягане (виж глава „Инсталиране / Технически данни / Таблица с данни“).
- Хидравличното съпротивление не трябва да е по-ниско от специфичното хидравлично съпротивление на водоснабдителната мрежа (виж глава „Инсталиране / Технически данни / Таблица с данни“).

- Изпразнете уреда, както е описано в Глава „Инсталиране / Техническо обслужване / Изпразване на уреда“.

## ОБСЛУЖВАНЕ

### 1. Общи указания

Главите „Специални указания“ и „Обслужване“ са предназначени за потребителя и специалиста.

Главата „Инсталиране“ е предназначена за специалиста.



#### Указание

Преди да започнете да използвате уреда, прочетете внимателно това ръководство и го запазете. Предайте ръководството на евентуалния следващ потребител.

#### 1.1 Указания за безопасност

##### 1.1.1 Структура на указанията за безопасност



**СИГНАЛНА ДУМА** вид на опасността  
Тук са посочени евентуалните последици от неспазването на указанията за безопасност.  
▶ Тук са посочени мерките за избягване на опасността.

##### 1.1.2 Символи, вид на опасността

Символ	Вид на опасността
	Нараняване
	Токов удар
	Изгаряне (Изгаряне, попарване)

##### 1.1.3 Сигнални думи

СИГНАЛНА ДУМА	Значение
ОПАСНОСТ	Указания, чието неспазване води до тежки наранявания или смърт.
ПРЕДУПРЕЖДЕНИЕ	Указания, чието неспазване може да доведе до тежки наранявания или смърт.
ВНИМАНИЕ	Указания, чието неспазване може да доведе до средно тежки или леки наранявания.

### 1.2 Други маркировки в настоящата документация



#### Указание

Общите указания са обозначени с намиращия се в непосредствена близост символ.

- ▶ Прочетете внимателно текста на указанията.

Символ	Значение
	Материални щети (щети по уреда, косвени щети, увреждане на околната среда)
	Рециклиране на уредите

- ▶ Този символ Ви показва, че е необходимо да направите нещо. Необходимите действия се описват стъпка по стъпка.

### 1.3 Мерни единици



#### Указание

Ако не е указано друго, всички размери са в милиметри.

## 2. Безопасност

### 2.1 Използване съгласно предписанията

Уредът е предназначен за употреба в домашна обстановка. Той може да бъде обслужван сигурно от лица, които не са инструктирани за работа с него. Уредът също така може да бъде използван и в недомашна обстановка, например в малки предприятия, стига да бъде използван по същия начин.

Уредът е уред под налягане и служи за загряване на питейна вода. Уредът може да захранва няколко източника на вода.

Счита се, че друго или излизащо извън тези рамки използване не съответства на предписанията. Към употребата по предназначение спада също и спазването на това ръководство, както и ръководствата за използваните принадлежности.



#### Указание

Уредът не е разрешен за допълнително загряване на предварително загрята вода.

## 2.2 Общи указания за безопасност



### ВНИМАНИЕ изгаряне

По време на работа арматурата може да достигне температура над 60 °C. При температура на изхода над 43 °C съществува опасност от попарване.



### ПРЕДУПРЕЖДЕНИЕ нараняване

Уредът може да се използва от деца над 3 години, както и от лица с намалени физически, сетивни и умствени способности или с недостатъчен опит и знания, ако бъдат наблюдавани или са инструктирани относно безопасната употреба на уреда и са разбрали произтичащите от това опасности. С уреда не бива да играят деца. Почистването и потребителското техническо обслужване не бива да се извършват от деца без наблюдение.



### Материални щети

Потребителят трябва да предпазва уреда и арматурата от замръзване.

## 2.3 Знак за качество

Виж фирмената табелка на уреда.

## 3. Описание на уреда

Хидравлично контролираният проточен бойлер загрява протичащата през него вода. Ако при отворена арматура се превиши количеството, необходимо за включване (виж глава „Технически данни / Таблица с данни“), автоматично се включва нагревателната мощност. Количеството топла вода и температурата могат да се настроят с арматурата.

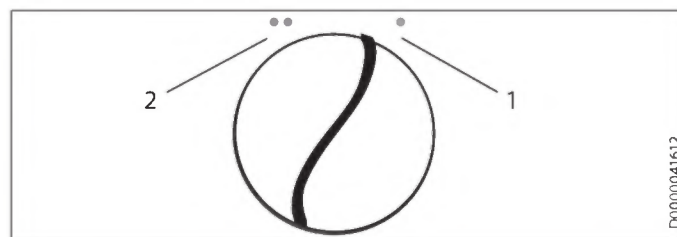
Можете да избирате между 2 степени на мощност. Допълнително – в зависимост от дебита – се управляват хидравлично 2 степени на мощност.

Регулирането на дебита компенсира колебанията в налягането и осигурява до значителна степен постоянна температура. Управлението ограничава дебита и осигурява винаги достатъчно повишение на температурата на питейната вода.

### Нагревателна система

Нагревателната система с открити нагреватели има устойчив на налягане пластмасов корпус. Нагревателната система е предназначена за меки и твърди води и до значителна степен е нечувствителна към отлагане на котлен камък. Нагревателната система осигурява бързо и ефективно снабдяване с топла вода.

## 4. Настройки



D0000041612

### 1 Частична мощност

При нисък дебит се включва 1/3 от нагревателната мощност, при по-голям дебит – 2/3 от нагревателната мощност. Тази настройка е подходяща, например, за миене на ръце.

### 2 Пълна мощност

При нисък дебит се включва половината от нагревателната мощност, при по-голям дебит – пълната нагревателна мощност. Тази настройка е подходяща например за миене на съдове.

- Фиксирайте превключвателя на мощността в желаната позиция.

### Препоръка за настройка при използване на термостатна арматура

- Поставете превключвателя на мощността на пълна мощност.

### 4.1 Препоръка за настройка на арматури



#### Указание

Ако при напълно отворен вентил за източване и настройка на пълна мощност не се достига достатъчна изходяща температура, това означава, че през уреда тече повече вода, отколкото може да загрее нагревателната система (уредът е на границата на мощността).

- Намалете количеството вода с вентила за източване.

малко източено количество = висока изходяща температура

голямо източено количество = ниска изходяща температура

### Двуръкохваткова арматура

Степен на мощност	Работен диапазон
Частична мощност	Мивка за баня
Пълна мощност	Вана, мивка

- При твърде висока температура и напълно отворена арматура смесвайте със студена вода.

### Едноръкохватков смесител

Степен на мощност	Работен диапазон
Пълна мощност	всички

- Завъртете ръкохватката на арматурата на най-високата температура.
- Отворете напълно арматурата.

- ▶ Повишете изходящата температура, като затворите бавно арматурата.
- ▶ Намалете изходящата температура, като смесите със студена вода или, ако е възможно, отворите още арматурата.

**След прекъсване на водоподаването**



**Материални щети**

За да не се разруши нагревателната система с открити нагреватели след прекъсване на водоснабдяването, за пускането на уреда отново в експлоатация трябва да се изпълнят следните стъпки.

- ▶ Спрете подаването на напрежение към уреда, като изключите предпазителите.
- ▶ Отворете арматурата в продължение на една минута, докато се обезвъздушат уредът и намиращият се пред него захранващ тръбопровод за студена вода.
- ▶ Включете отново мрежовото напрежение.

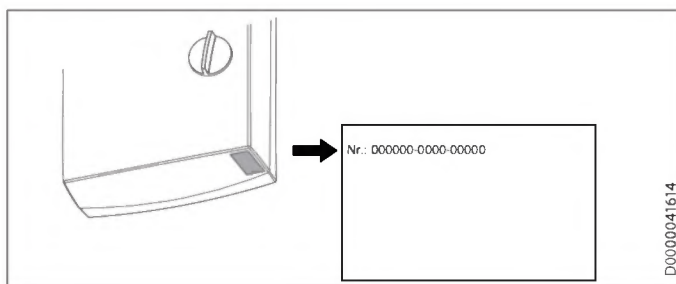
## 5. Почистване, поддържане и техническо обслужване

- ▶ Не използвайте абразивни или разтварящи почистващи средства. За поддържане и почистване на уреда е достатъчна влажна кърпа.
- ▶ Проверявайте редовно арматурите. Котления камък по изходите на арматурите можете да отстраните с обикновени средства за премахване на котлен камък.

## 6. Отстраняване на проблеми

Проблем	Причина	Отстраняване
Въпреки напълно отворения кран за топла вода, уредът не се включва.	Няма подадено напрежение.	Проверете предпазителите в сградната инсталация.
	Дебитът е твърде нисък, за да включи нагревателната мощност. Регулатор на струята в арматурата.	Почистете и/или отстранете котления камък от регулатора на струята.

Ако не можете да отстраните причината, повикайте специалист. За по-добра и по-бърза помощ му съобщете номера от фирмената табелка (000000-0000-00000):



# ИНСТАЛИРАНЕ

## 7. Безопасност

Инсталирането, пускането в експлоатация, както и техническото обслужване и ремонтът на уреда, трябва да се извършват само от специалист.

### 7.1 Общи указания за безопасност

Ние гарантираме правилно функциониране и експлоатационна безопасност, само ако се използват предназначените за уреда оригинални принадлежности и оригинални резервни части.



**Материални щети**

Съблюдавайте максималната входяща температура. При по-високи температури уредът може да се повреди. С монтиране на централна термостатна арматура можете да ограничите максималната входяща температура.

### 7.2 Разпоредби, стандарти и предписания



**Указание**

Съблюдавайте всички национални и регионални разпоредби и предписания.

- Степента на защита IP 25 (защита срещу водни струи) е гарантирана само с правилно монтирана кабелна муфа.
- Специфичното електрическо съпротивление на водата не бива да е по-малко от посоченото на фирмената табелка. При свързана водопроводна система трябва да се вземе под внимание най-ниското електрическо съпротивление на водата (виж глава „Технически данни / Работни диапазони / Таблица за преизчисляване“). Специфичното електрическо съпротивление или електропроводимостта на водата можете да научите от Вашето водоснабдително предприятие.

## 8. Описание на уреда

### 8.1 Обем на доставката

С уреда се доставят:

- Окачване за стена
- Шпилка за окачване на стена
- Монтажен шаблон
- 2 двойни нипела (студена вода със спирателен вентил)
- Плоски уплътнения
- Кабелна муфа (електрически захранващ проводник горе/долу)
- Винтове/Дюбели за закрепване на задната стена при свързване на водата при открита инсталация

За смяна на уреда:

- 2 удължителя за кран

## 9. Подготовка

### 9.1 Място за монтаж



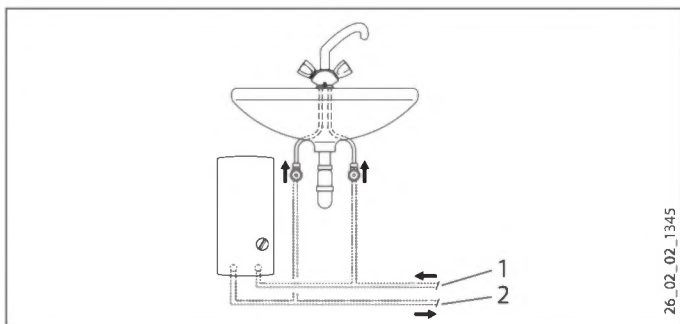
#### Материални щети

Инсталирането на уреда трябва да се извършва само в незамръзващо помещение.

- ▶ Монтирайте уреда вертикално и в близост до мястото на източване.

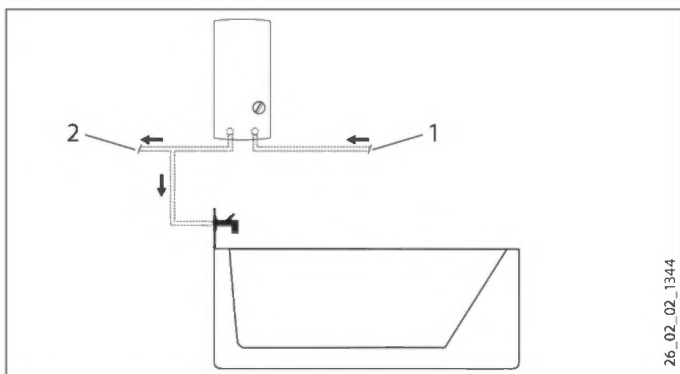
Уредът е подходящ за долен и горен монтаж.

#### Долен монтаж



- 1 Вход студена вода
- 2 Изход топла вода

#### Горен монтаж



- 1 Вход студена вода
- 2 Изход топла вода



#### Указание

▶ Монтирайте уреда на стената. Стената трябва да притежава достатъчна носимоспособност.

### 9.2 Свързване към водопроводната инсталация

- Експлоатацията с предварително загрята вода не е разрешена.
- Не е необходим предпазен клапан.
- Предпазни клапани в тръбопровода за топла вода не са разрешени.
  - ▶ Промийте основно водопровода.
  - ▶ Уверете се, че обемният поток (виж глава „Технически данни / таблица с данните“, Включено) за включване на уреда е достигнат. Увеличете налягането на водопровода, ако необходимият обемен поток при напълно отворен източващ вентил не се достига.

#### Арматури

Използвайте подходящи арматури под налягане. Открити арматури не са допустими.

Термостатните арматури под налягане трябва да са подходящи за хидравлично контролирани проточни бойлери.



#### Указание

Не трябва да използвате спирателния вентил във входа за студена вода, за да дроселирате дебита. Той служи за спиране на уреда.

#### Разрешени материали на водопроводите

- Захранващ тръбопровод за студена вода: горещоцинкована стоманена тръба, неръждаема тръба, медна тръба или пластмасова тръба
- Изходящ тръбопровод за топла вода: неръждаема тръба, медна тръба или пластмасова тръба



#### Материални щети

При използване на тръбни системи от пластмаса обръщайте внимание на максималната входяща температура и максимално допустимото налягане (виж глава „Технически данни / таблица с данните“).

#### Гъвкави свързващи водопроводи

- ▶ При инсталиране с гъвкави свързващи водопроводи предотвратете завъртане на тръбните колена с байонетни връзки в уреда.
- ▶ Закрепете задната стена в долната част с два допълнителни винта.

### 10. Монтаж

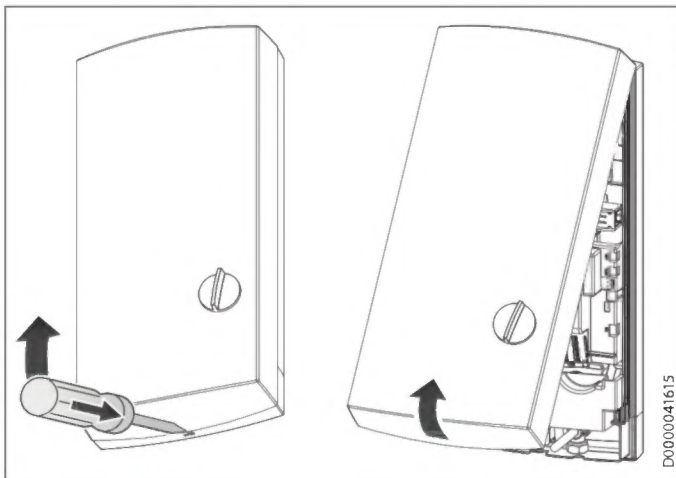
#### 10.1 Стандартен монтаж

- Електрическо свързване горен монтаж, скрита инсталация
- Свързване на водата, скрита инсталация

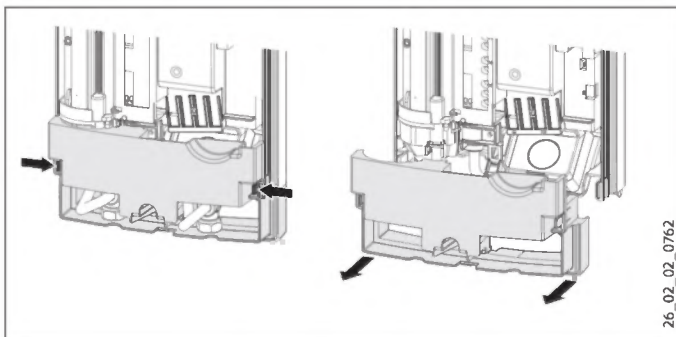
Други възможности за монтаж, виж глава „Алтернативи за монтаж“:

- Електрическо свързване, скрита инсталация, долен монтаж
- Електрическо свързване, открита инсталация
- Свързване на разтоварващо реле
- Свързване на водата, открита инсталация
- Свързване на водата, скрита инсталация, при смяна на уреда

#### Отваряне на уреда

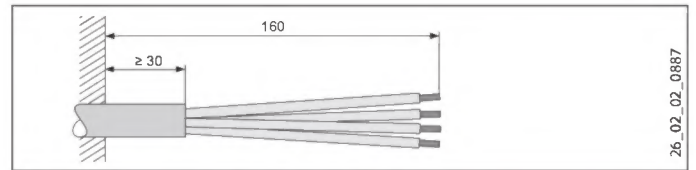


- ▶ Отворете уреда, като деблокирате фиксиращата ключалка.

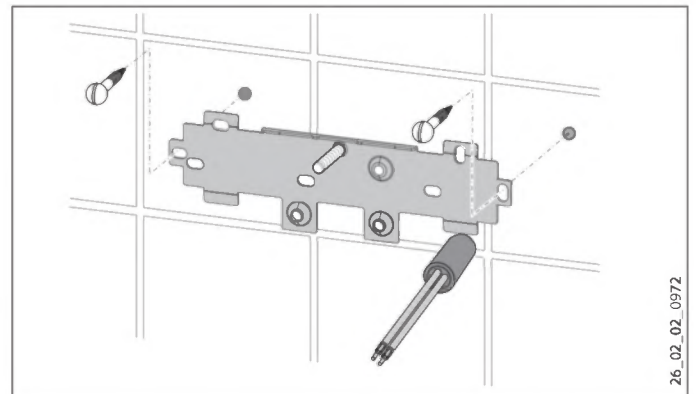


- ▶ Отделете задната стена, като натиснете двата фиксиращи палеца и свалите долната част на задната стена напред.

#### Подготовка на кабела за свързване към мрежата

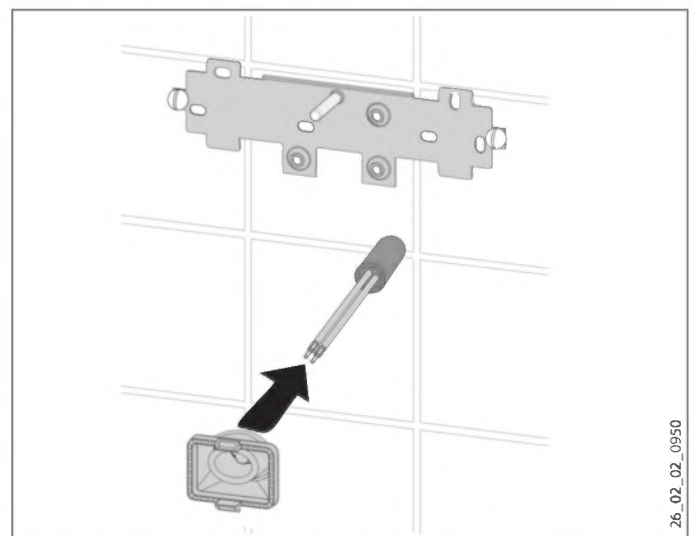


#### Монтиране на планката за окачване на стена



- ▶ Отбележете отворите за пробиване с монтажния шаблон. При монтаж с открита инсталация на връзките за водата трябва допълнително да отбележите отворите за закрепване в долната част на шаблона.
- ▶ Пробийте отворите и закрепете планката за окачване на стената с 2 винта и 2 дюбела (винтовете и дюбелите не са включени в комплекта на доставката).
- ▶ Монтирайте приложената шпилка.
- ▶ Монтирайте планката за окачване на стената.

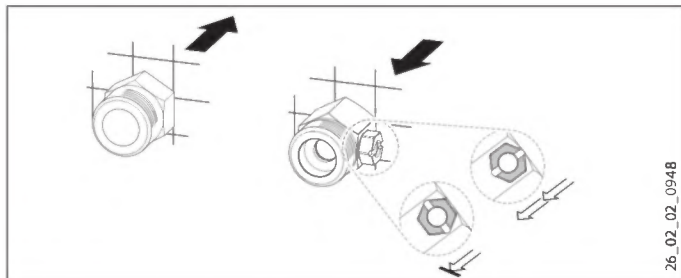
#### Монтаж на кабелната муфа



- ▶ Монтирайте кабелната муфа. При свързващ кабел > 6 mm<sup>2</sup> трябва да увеличите отвора в кабелната муфа.

### Свързване на водопровода

- !** **Материални щети**  
Извършете всички работи по свързването към водопроводната инсталация и монтажа съгласно предписанията.



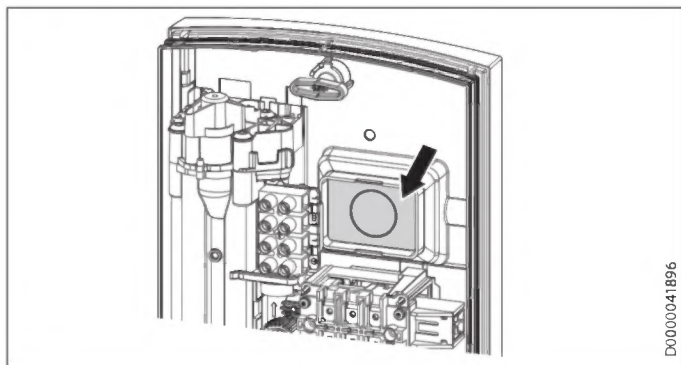
26\_02\_02\_0948

- Уплътнете и навийте двойния нипел.

- !** **Материални щети**  
Не трябва да използвате спирателния вентил във входа за студена вода, за да дроселирате дебита.

### Подготовка на задната стена

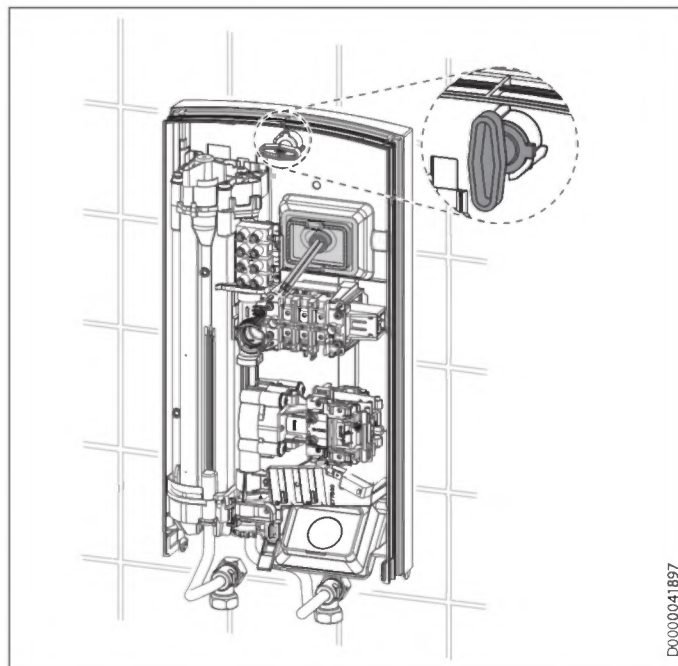
- !** **Материални щети**  
В случай че по невнимание отчупите неправилен отвор в задната стена, трябва да използвате нова задна стена.



D0000041896

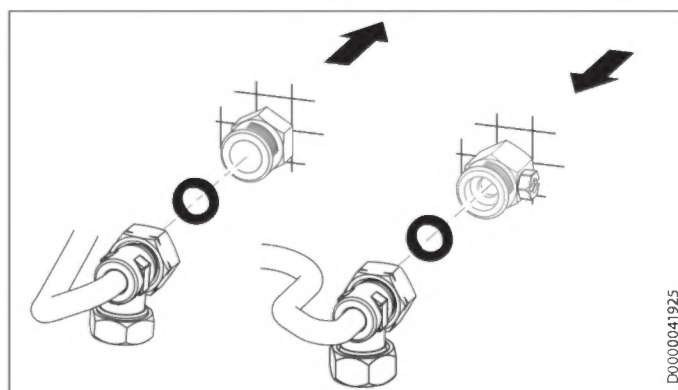
- Отчупете зададеното място за отвор за кабелната муфа в задната стена. При необходимост загладете острият ръбове с пила.

### Монтиране на уреда



D0000041897

- Поставете задната стена през шпилката и кабелната муфа. С помощта на клещи издърпайте фиксиращите куки на кабелната муфа в задната стена, така че двете фиксиращи куки да се фиксират с щракване.
- Отстранете транспортните защитни тапи от водните връзки.
- Притиснете задната стена неподвижно и фиксирайте закрепващия лост със завъртане надясно на 90°.



D0000041925

- Завийте свързващите водата тръби с плоските уплътнения към двойните нипели.

- !** **Материални щети**  
За функционирането на уреда трябва да е монтирана цедката.
- При смяна на уреда проверете дали филтърът е налице (виж глава „Техническо обслужване“).

### Извършване на електрическото свързване



**ПРЕДУПРЕЖДЕНИЕ** токов удар  
Извършете всички работи по електрическото свързване и инсталиране съгласно предписанията.



**ПРЕДУПРЕЖДЕНИЕ** токов удар  
Свързването към захранващата мрежа е разрешено само като твърда връзка с подвижна кабелна муфа. Уредът трябва да може да се отдели от електропреносната мрежа от всички полюси с разделителен участък от най-малко 3 mm.



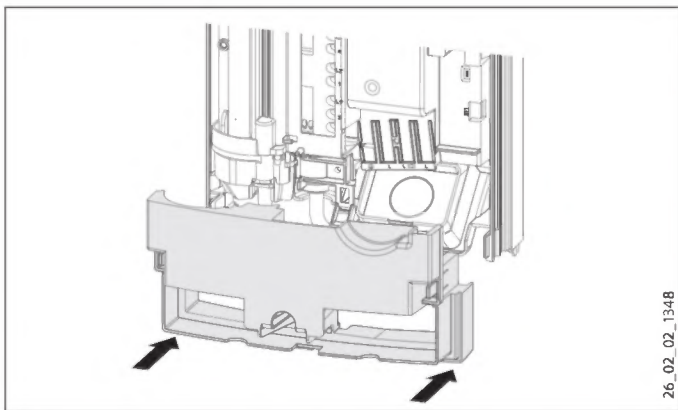
**ПРЕДУПРЕЖДЕНИЕ** токов удар  
Внимавайте уредът да е свързан към защитния проводник.



**Материални щети**  
Съблюдавайте фабричната табелка. Посоченото напрежение трябва да съответства на мрежовото напрежение.

- ▶ Присъединете свързващия кабел в клемата за свързване към мрежата (виж глава „Технически данни / Електрическа схема“).

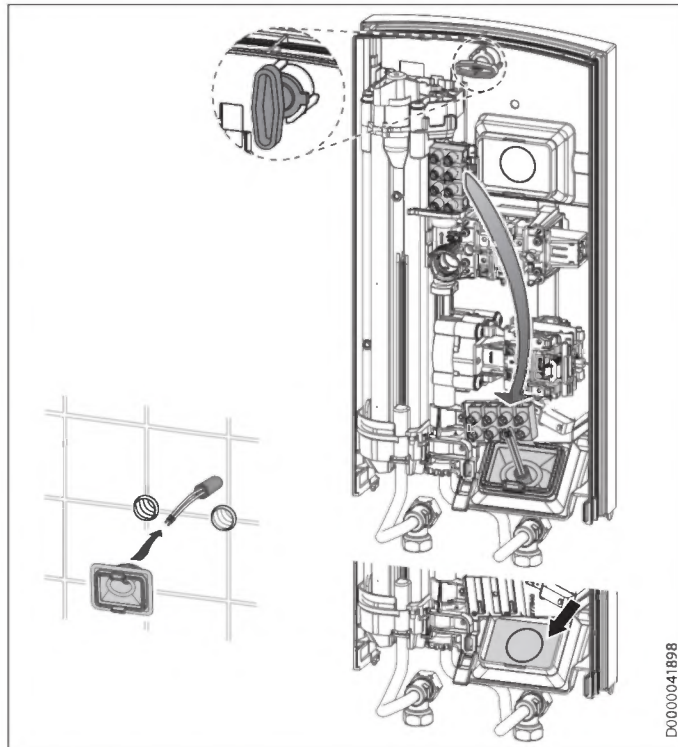
### Монтаж на долната част на задната стена



- ▶ Монтирайте долната част на задната стена в задната стена и я фиксирайте.
- ▶ Нивелирайте монтирания уред, като освободите закрепващия лост, центровайте електрическата връзка и задната стена и затегнете отново закрепващия лост. Ако задната стена на уреда не приляга добре, можете да закрепите уреда в долната част с два допълнителни винта.

## 10.2 Алтернативи за монтаж

### 10.2.1 Електрическо свързване, скрита инсталация, долен монтаж



- ▶ Монтирайте кабелната муфа.



**Материални щети**  
В случай че по невнимание отчупите неправилен отвор в задната стена, трябва да използвате нова задна стена.

- ▶ Отчупете зададеното място за отвор за кабелната муфа в задната стена. При необходимост загладете острият ръбове с пила.
- ▶ Преместете клемата за свързване към мрежата в уреда от горе долу.
- ▶ Поставете задната стена през шпилката и кабелната муфа. С помощта на клещи издърпайте фиксиращите куки на кабелната муфа в задната стена, така че двете фиксиращи куки да се фиксират с щракване.
- ▶ Притиснете задната стена неподвижно и фиксирайте закрепващия лост със завъртане надясно на 90°.

### 10.2.2 Електрическо свързване, открита инсталация



#### Указание

При този вид на свързване се променя степента на защита на уреда.

- ▶ Променете фирмената табелка. Зачеркнете „IP 25“ и отбележете с кръстче квадратчето „IP 24“. За тази цел използвайте химикал.



#### Материални щети

В случай че по невнимание отчупите неправилен отвор в задната стена, трябва да използвате нова задна стена.

- ▶ Изрежете или отчупете внимателно необходимия отвор в задната стена (за позициите виж глава „Технически данни / Размери и изводи за свързване“). При необходимост загладете острият ръбове с пила.
- ▶ Прекарайте свързващия кабел през кабелната муфа и го свържете към захранващата клема.

### 10.2.3 Свързване на разтоварващо реле

При комбинация с други електроуреди, напр. електроакмулиращи нагревателни уреди, поставете разтоварващо реле в електроразпределителното табло. Разтоварването се извършва при експлоатация на проточния водонагревател.



#### Материални щети

Свържете фазата, която включва разтоварващото реле, към обозначената клема за свързване към мрежата в уреда (виж глава „Технически данни / Електрическа схема“).

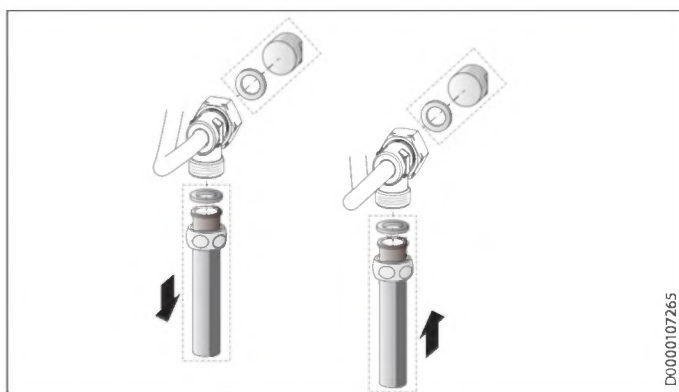
### 10.2.4 Свързване на водата, открита инсталация



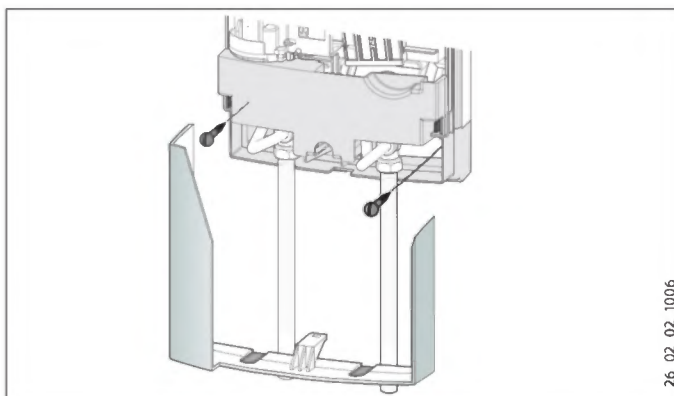
#### Указание

При този вид на свързване се променя степента на защита на уреда.

- ▶ Променете фирмената табелка. Зачеркнете „IP 25“ и отбележете с кръстче квадратчето „IP 24“. За тази цел използвайте химикал.



- ▶ Монтирайте водопроводните тапи с уплътнения, за да затворите връзката за скрита инсталация.
- ▶ Монтирайте подходяща арматура под налягане.



26\_02\_02\_1006

- ▶ Закрепете задната стена в долната част с два допълнителни винта.
- ▶ Поставете долната част на задната стена под свързващите тръби на арматурата и я фиксирайте.
- ▶ Завинтете свързващите тръби към уреда.



#### Материални щети

В случай че по невнимание отчупите неправилен отвор в капака на уреда, трябва да използвате нов капак на уреда.

- ▶ Отчупете чисто отворите за преминаване в капака на уреда. При необходимост загладете острият ръбове с пила.

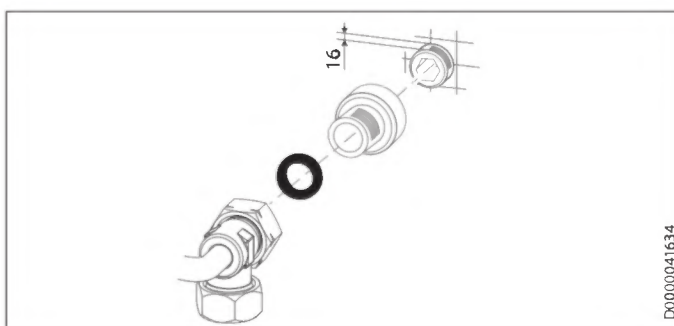
### 10.2.5 Свързване на водата, скрита инсталация при смяна на уреда

В случай че наличните двойни нипели на стария уред се показват само около 16 mm от стената, не можете да използвате доставените двойни нипели.



#### Указание

При това свързване спирането на захранването със студена вода е възможно само в сградната инсталация.



D0000041634

- ▶ Уплътнете и завийте приложените удължители за кран.
- ▶ Свържете уреда.

### 10.3 Завършване на монтажа

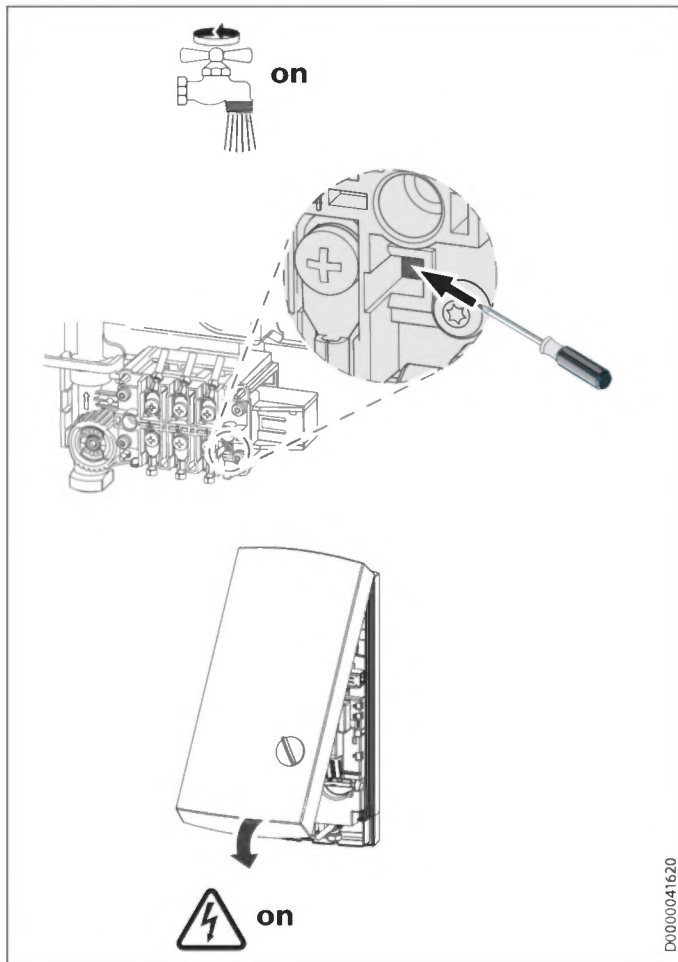
- ▶ Отворете спирателния вентил в двойния нипел или захранващия тръбопровод за студена вода.

### 11. Пускане в експлоатация



**ПРЕДУПРЕЖДЕНИЕ** токов удар  
Пускането в експлоатация трябва да се извърши само от специалист при спазване на правилата за безопасност.

#### 11.1 Първоначално пускане в експлоатация



- ▶ Неколкократно отворете и затворете всички точни кранове, докато тръбопроводът и уредът се обезвъздушат.
- ▶ Извършете проверка на уплътняването.
- ▶ Активирайте предпазния ограничител на налягането, като натиснете силно бутон за нулиране (уредът се доставя с деактивиран предпазен ограничител на налягането).
- ▶ Монтирайте капака на уреда така, че да се фиксира с щракване. Проверете положението на капака на уреда.
- ▶ Включете мрежовото захранване.
- ▶ Проверете начина на работа на уреда.

#### Предаване на уреда

- ▶ Обяснете на потребителя функционирането на уреда и го запознайте с употребата му.
- ▶ Обърнете внимание на потребителя за възможните опасности, особено за опасността от попарване.
- ▶ Предайте настоящото ръководство.

#### 11.2 Повторно пускане в експлоатация

Обезвъздушете уреда и захранващия тръбопровод за студена вода (виж глава „Настройки“).

Виж глава „Първоначално пускане в експлоатация“.

### 12. Спиране от експлоатация

- ▶ Изключете уреда от мрежовото напрежение за всички полюси.
- ▶ Изпразнете уреда (виж глава „Техническо обслужване“).

### 13. Отстраняване на неизправности

Повреда	Причина	Отстраняване
Дебитът е много малък.	Филтърът в уреда е замърсен.	Почистете филтъра.
Въпреки напълно отворена арматура регулаторът на дебита не се включва.	Количеството, необходимо за включване на нагревателната мощност не се достига.	Почистете филтъра.
Въпреки че се долавя шум от включването на диференциалното реле за налягане, уредът не произвежда топла вода.	С оглед на безопасността предпазният ограничител на налягането (AP 3) е изключил уреда.	Отстранете причината за повреда (напр. дефектен промивен апарат, работещ под налягане).
		Предпазете нагревателната система от прегряване, като отворите за една минута крана, монтиран след уреда. По този начин се изпуска налягането в нагревателната система и тя се охлажда.
		Активирайте предпазния ограничител на налягането при работно налягане, като натиснете бутона за нулиране (виж глава „Първо пускане в експлоатация“).
	Нагревателната система е повредена.	Измерете съпротивлението на нагревателната система и при необходимост го сменете.

### 14. Техническо обслужване



**ПРЕДУПРЕЖДЕНИЕ** токов удар  
При всички работи изключвайте всички полюси на уреда от захранващата мрежа.

#### Изпразване на уреда

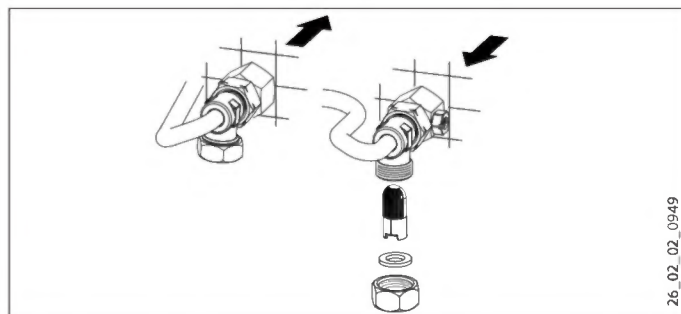
За работи по техническото обслужване можете да изпразните уреда.



**ПРЕДУПРЕЖДЕНИЕ** изгаряне  
При изпразването на уреда може да изтече гореща вода.

- ▶ Затворете спирателния вентил в двойния нипел или захранващия тръбопровод за студена вода.
- ▶ Отворете всички отточни кранове.
- ▶ Разединете водните съединения от уреда.
- ▶ Съхранявайте демонтирания уред на незамръзващо място, защото в уреда има остатъчна вода, която може да замръзне и да причини повреди.

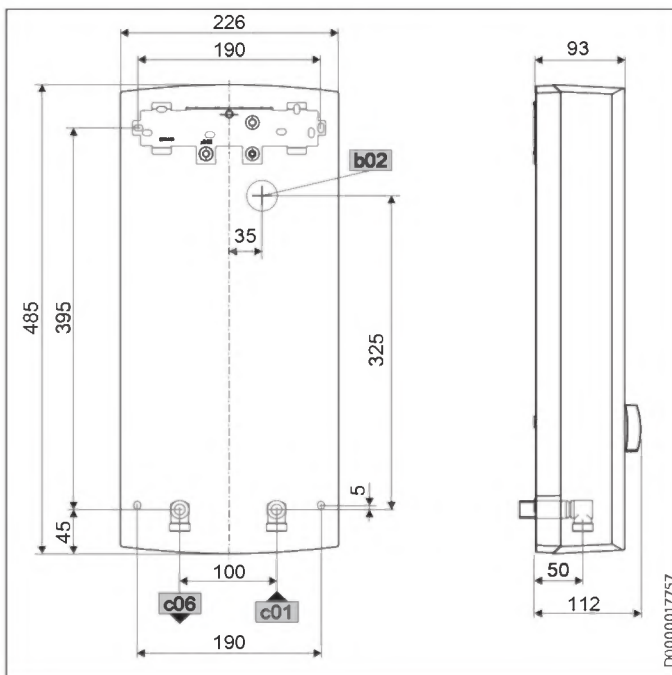
#### Почистване на филтъра



При замърсяване почистете филтъра в резбовата връзка за студена вода. Затворете спирателния вентил в захранващия тръбопровод за студена вода, преди да демонтирате, почистите и монтирате отново филтъра.

### 15. Технически данни

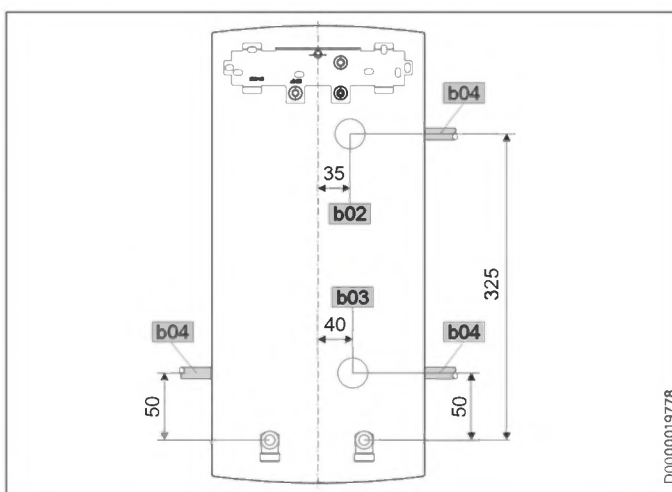
#### 15.1 Размери и изводи за свързване



b02 Прекарване на електрически проводници I

c01	Вход студена вода	Външна резба	G 1/2 A
c06	Изход топла вода	Външна резба	G 1/2 A

#### Алтернативни възможности за свързване



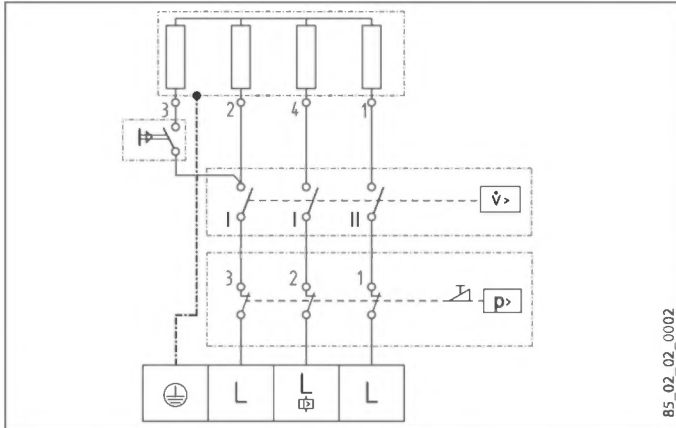
b02 Прекарване на електрически проводници I

b03 Прекарване на електрически проводници II

b04 Прекарване на електрически проводници III

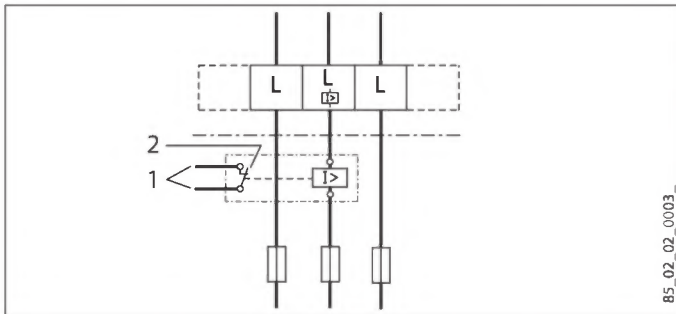
### 15.2 Електрическа схема

3/PE ~ 380 - 400 V



- 1 Нагревател
- 2 Предпазен температурен ограничител
- 3 Предпазен ограничител на налягането

### Изходна схема с LR 1-A



- 1 Управляващ проводник към защитния контактор на 2-ия уред (например електрически акумулиращ нагревателен уред).
- 2 Управляващ контакт, отваря при включване на проточния водонагревател.

### 15.3 Възможност за подаване на топла вода

Възможността за подаване на топла вода зависи от подаденото мрежово напрежение, инсталираната мощност на уреда и входящата температура на студената вода. Номиналното напрежение и номиналната мощност са посочени на фабричната табелка (виж глава „Отстраняване на проблеми“).

	Инсталирана мощност в kW		Възможност за подаване на топла вода 38 °C в l/min.			
	Номинално напрежение		Входяща температура на студената вода			
	380 V	400 V	5 °C	10 °C	15 °C	20 °C
<b>PHV 13</b>						
I макс.	9,6		4,2	4,9	6,0	7,6
II макс.		10,6	4,6	5,4	6,6	8,4
I макс.	12,2		5,3	6,2	7,6	9,7
II макс.		13,5	5,8	6,9	8,4	10,7
<b>PHV 18</b>						
I макс.	12,9		5,6	6,6	8,0	10,2
II макс.		14,3	6,2	7,3	8,9	11,3
I макс.	16,3		7,1	8,3	10,1	12,9
II макс.		18	7,8	9,2	11,2	14,3
<b>PHV 21</b>						
I макс.	15,2		6,6	7,8	9,4	12,1
II макс.		16,8	7,3	8,6	10,4	13,3
I макс.	19		8,2	9,7	11,8	15,1
II макс.		21	9,1	10,7	13,0	16,7
<b>PHV 24</b>						
I макс.	17,1		7,4	8,7	10,6	13,6
II макс.		19	8,2	9,7	11,8	15,1
I макс.	21,7		9,4	11,1	13,5	17,2
II макс.		24	10,4	12,2	14,9	19,0

	Инсталирана мощност в kW		Възможност за подаване на топла вода 50 °C в l/min.			
	Номинално напрежение		Входяща температура на студената вода			
	380 V	400 V	5 °C	10 °C	15 °C	20 °C
<b>PHV 13</b>						
I макс.	9,6		3,0	3,4	3,9	4,6
II макс.		10,6	3,4	3,8	4,3	5,0
I макс.	12,2		3,9	4,4	5,0	5,8
II макс.		13,5	4,3	4,8	5,5	6,4
<b>PHV 18</b>						
I макс.	12,9		4,1	4,6	5,3	6,1
II макс.		14,3	4,5	5,1	5,8	6,8
I макс.	16,3		5,2	5,8	6,7	7,8
II макс.		18	5,7	6,4	7,3	8,6
<b>PHV 21</b>						
I макс.	15,2		4,8	5,4	6,2	7,2
II макс.		16,8	5,3	6,0	6,9	8,0
I макс.	19		6,0	6,8	7,8	9,0
II макс.		21	6,7	7,5	8,6	10,0
<b>PHV 24</b>						
I макс.	17,1		5,4	6,1	7,0	8,1
II макс.		19	6,0	6,8	7,8	9,0
I макс.	21,7		6,9	7,8	8,9	10,3
II макс.		24	7,6	8,6	9,8	11,4

### 15.4 Работни диапазони / Таблица за преизчисляване

Специфично електрическо съпротивление и специфична електропроводимост (виж глава „Таблица с данни“).

Норма при 15 °C			20 °C			25 °C		
Съпротивление $\rho \geq$	Електропроводимост $\sigma \leq$	Единица	Съпротивление $\rho \geq$	Електропроводимост $\sigma \leq$	Единица	Съпротивление $\rho \geq$	Електропроводимост $\sigma \leq$	Единица
$\Omega \text{ cm}$	$\text{mS/m}$	$\mu\text{S/cm}$	$\Omega \text{ cm}$	$\text{mS/m}$	$\mu\text{S/cm}$	$\Omega \text{ cm}$	$\text{mS/m}$	$\mu\text{S/cm}$
900	111	1111	800	125	1250	735	136	1361

### 15.5 Загуби на налягане

#### Арматури

Загуби на налягане на арматурите при обемен поток 10 l/min		
Смесител за обслужване с една ръка, около	MPa	0,04 - 0,08
Термостатна арматура, ок.	MPa	0,03 - 0,05
Ръчен душ, ок.	MPa	0,03 - 0,15

#### Оразмеряване на тръбната мрежа

За изчисляване на оразмеряването на тръбната мрежа за уреда се препоръчва загуба на налягане от 0,1 MPa.

### 15.6 Условия на аварии

В случай на авария в инсталацията могат кратковременно да възникнат натоварвания от максимум 95 °C при налягане от 1,2 MPa.

### 15.7 Данни за енергопотреблението

Продуктова спецификация: Конвенционални водоподгреватели съгласно Регламент (ЕС) № 812/2013 и 814/2013

		PHV 13	PHV 18	PHV 21	PHV 24
		233998	233999	234000	234001
Производител		STIEBEL ELTRON	STIEBEL ELTRON	STIEBEL ELTRON	STIEBEL ELTRON
Профил на натоварването		XS	S	S	S
Клас на енергийна ефективност		A	A	A	A
Енергийна ефективност	%	39	38	38	38
Годишен разход на електроенергия	kWh	469	483	483	483
Ниво на шума	dB(A)	15	15	15	15
Специални указания за измерване на ефективността		няма	няма	няма	няма
Дневен разход на електроенергия	kWh	2,148	2,215	2,197	2,186

## Технически данни

## 15.8 Таблица с данни

		PHV 13		PHV 18		PHV 21		PHV 24	
		233998		233999		234000		234001	
<b>Електрически данни</b>									
Номинално напрежение	V	380	400	380	400	380	400	380	400
Номинална мощност степен I мин.	kW	4,2	4,6	5,7	6,3	6,7	7,4	7,5	8,3
Номинална мощност степен I макс.	kW	9,6	10,6	12,9	14,3	15,2	16,8	17,1	19
Номинална мощност степен II мин.	kW	6,1	6,8	8,3	9,2	9,7	10,8	11	12,2
Номинална мощност степен II макс.	kW	12,2	13,5	16,3	18	19	21	21,7	24
Номинален ток	A	18,5	19,5	24,7	26	29,5	31	33,3	35
Защита с предпазители	A	20	20	25	25	32	32	35	35
Фази		3/PE		3/PE		3/PE		3/PE	
Честота	Hz	50/60		50/60		50/60		50/60	
Специфично съпротивление $\rho_{15} \geq$	$\Omega \text{ cm}$	900		900		900		900	
Специфична електропроводимост $\sigma_{15} \leq$	$\mu\text{S/cm}$	1111		1111		1111		1111	
<b>Изпълнения</b>									
Цвят		бял		бял		бял		бял	
Степен на защита (IP)		IP25		IP25		IP25		IP25	
Нагревателна система отоплителен уред		Открит нагревател		Открит нагревател		Открит нагревател		Открит нагревател	
<b>Връзки</b>									
Свързване към водопроводната инсталация		G 1/2 A		G 1/2 A		G 1/2 A		G 1/2 A	
<b>Граници на работния диапазон</b>									
Макс. допустимо налягане	MPa	1		1		1		1	
<b>Стойности</b>									
Макс. допустима входяща температура	$^{\circ}\text{C}$	25		25		25		25	
Загуба на налягане при обменен поток	MPa	0,09		0,11		0,13		0,15	
Обменен поток за загуба на налягане	l/min	3,9		4,5		5,6		6,3	
Обменен ток - Ограничение при	l/min	4,7		5,9		7,0		7,8	
Подаване на топла вода	l/min	7,0		9,4		11,1		12,5	
$\Delta\theta$ при подаване	K	26		26		26		26	
<b>Хидравлични данни</b>									
Номинален обем	l	0,4		0,4		0,4		0,4	
<b>Размери</b>									
Височина	mm	485		485		485		485	
Широчина	mm	226		226		226		226	
Дълбочина	mm	93		93		93		93	
<b>Тегла</b>									
Тегло	kg	3,6		3,6		3,6		3,6	

**Указание**

Уредът съответства на IEC 61000-3-12.

**Гаранция**

За закупените извън Германия уреди не важат гаранционните условия на нашите немски дружества. По-конкретно, в страни, в които нашите продукти се продават от наше дъщерно дружество, ще бъде предоставена гаранция само от това дъщерно дружество. Такава гаранция се предоставя само ако дъщерното дружество е съставило свои собствени гаранционни условия. В допълнение към това не се предоставят друга гаранция.

За уреди, които са закупени в държави, в които няма наши дъщерни дружества продаващи нашите продукти, ние не предоставяме гаранция. Настоящото не касае евентуалните предоставяни от вносителя гаранции.

**Околна среда и рециклиране**

Подкрепете усилията за опазване на околната среда. След употреба, изхвърляйте материалите в съответствие с националните предписания.

## СПЕЦИАЛЬНЫЕ УКАЗАНИЯ

## ЭКСПЛУАТАЦИЯ

<b>1. Общие указания</b>	<b>87</b>
1.1 Указания по технике безопасности	87
1.2 Другие обозначения в данной документации	88
1.3 Единицы измерения	88
<b>2. Техника безопасности</b>	<b>88</b>
2.1 Использование по назначению	88
2.2 Общие указания по технике безопасности	88
2.3 Знак технического контроля	88
<b>3. Описание устройства</b>	<b>88</b>
<b>4. Настройки</b>	<b>89</b>
4.1 Рекомендация по настройке смесителя	89
<b>5. Чистка, уход и техническое обслуживание</b>	<b>89</b>
<b>6. Поиск и устранение проблем</b>	<b>89</b>

## УСТАНОВКА

<b>7. Техника безопасности</b>	<b>90</b>
7.1 Общие указания по технике безопасности	90
7.2 Предписания, стандарты и положения	90
<b>8. Описание устройства</b>	<b>90</b>
8.1 Комплект поставки	90
<b>9. Подготовительные мероприятия</b>	<b>90</b>
9.1 Место монтажа	90
9.2 Водопроводные работы	91
<b>10. Монтаж</b>	<b>91</b>
10.1 Стандартный	91
10.2 Варианты а	94
10.3 Завершение монтажа	95
<b>11. Ввод в эксплуатацию</b>	<b>95</b>
11.1 Первый ввод в эксплуатацию	95
11.2 Повторный ввод в эксплуатацию	96
<b>12. Вывод из эксплуатации</b>	<b>96</b>
<b>13. Поиск и устранение неисправностей</b>	<b>96</b>
<b>14. Техническое обслуживание</b>	<b>96</b>
<b>15. Технические характеристики</b>	<b>97</b>
15.1 Размеры и подключения	97
15.2 Электрическая схема	97
15.3 Производительность по горячей воде	98
15.4 Рабочие диапазоны / Таблица пересчета данных	98
15.5 Потери давления	98
15.6 Возможные неисправности	98
15.7 Характеристики энергопотребления	99
15.8 Таблица параметров	99

## ГАРАНТИЯ

## ЗАЩИТА ОКРУЖАЮЩЕЙ СРЕДЫ И УТИЛИЗАЦИЯ

СПЕЦИАЛЬНЫЕ  
УКАЗАНИЯ

- Детям старше 3 лет, а также лицам с ограниченными физическими, сенсорными и умственными способностями, не имеющим опыта и не владеющим информацией о приборе, разрешено использовать прибор только под присмотром других лиц или после соответствующего инструктажа о правилах безопасного пользования и потенциальной опасности в случае несоблюдения этих правил. Не допускать шалостей детей с прибором. Дети могут выполнять чистку прибора и те виды технического обслуживания, которые обычно производятся пользователем, только под присмотром взрослых.
- Во время работы смеситель может нагреваться до температуры более 60 °С. При температуре воды на выходе выше 43 °С существует опасность обваривания.
- Прибор не предназначен для подачи воды в душ (режим душа).
- Прибор должен отключаться от сети с размыканием всех контактов на всех полюсах и изолированием на расстоянии не менее 3 мм.
- Напряжение сети должно совпадать с указанным на табличке.
- Прибор необходимо подключить к проводу заземления.
- Прибор должен быть подключен к стационарной электрической проводке.
- Закрепить прибор, как описано в главе «Установка / Монтаж».

- Убедиться, что давление соответствует максимально допустимому (см. главу «Установка / Технические характеристики / Таблица параметров»).
- Удельное электрическое сопротивление воды не должно быть ниже указанного на заводской табличке (см. главу «Установка / Технические характеристики / Таблица параметров»).
- При опорожнении прибора следовать указаниям главы «Установка / Техническое обслуживание / Опорожнение прибора».

# ЭКСПЛУАТАЦИЯ

## 1. Общие указания

Главы «Специальные указания» и «Эксплуатация» предназначены для пользователя и специалиста.

Глава «Установка» предназначена для специалиста.



### Указание

Перед началом эксплуатации следует внимательно прочитать данное руководство и сохранить его. При необходимости передать настоящее руководство следующему пользователю.

### 1.1 Указания по технике безопасности

#### 1.1.1 Структура указаний по технике безопасности



#### СИГНАЛЬНОЕ СЛОВО Вид опасности

Здесь приведены возможные последствия несоблюдения указания по технике безопасности.

► Здесь приведены мероприятия по предотвращению опасности.

#### 1.1.2 Символы, вид опасности

Символ	Вид опасности
	Травма
	Поражение электрическим током
	Ожог (ожог, обваривание)

#### 1.1.3 Сигнальные слова

СИГНАЛЬНОЕ СЛОВО	Значение
ОПАСНОСТЬ	Указания, несоблюдение которых приводит к серьезным травмам или к смертельному исходу.
ПРЕДУПРЕЖДЕНИЕ	Указания, несоблюдение которых может привести к серьезным травмам или к смертельному исходу.
ОСТОРОЖНО	Указания, несоблюдение которых может привести к травмам средней тяжести или к легким травмам.

### 1.2 Другие обозначения в данной документации



#### Указание

Общие указания обозначены приведенным рядом с ними символом.

- ▶ Следует внимательно прочитать тексты указаний.

Символ	Значение
	Материальный ущерб (повреждение оборудования, косвенный ущерб и ущерб окружающей среде)
	Утилизация устройства

- ▶ Этот символ указывает на необходимость выполнения определенных действий. Описание необходимых действий приведено шаг за шагом.

### 1.3 Единицы измерения



#### Указание

Если не указано иное, все размеры приведены в миллиметрах.

## 2. Техника безопасности

### 2.1 Использование по назначению

Прибор предназначен для бытового использования. Для его безопасного обслуживания пользователю не требуется проходить инструктаж. Возможно использование прибора не только в быту, но и, например, на предприятиях малого бизнеса при условии соблюдения тех же условий эксплуатации.

Прибор работает под давлением и предназначен для нагрева водопроводной воды. Прибор может обеспечивать одну или несколько точек отбора.

Любое иное или не указанное в настоящем руководстве использование данного устройства считается использованием не по назначению. Использование по назначению подразумевает соблюдение требований настоящего руководства, а также руководств к используемым принадлежностям.



#### Указание

Запрещено использовать прибор для дополнительного подогрева уже нагретой воды.

### 2.2 Общие указания по технике безопасности



#### ОСТОРОЖНО ожог

Во время работы смеситель может нагреваться до температуры более 60 °С. При температуре воды на выходе выше 43 °С существует опасность обваривания.



#### ПРЕДУПРЕЖДЕНИЕ травма

Детям старше 3 лет, а также лицам с ограниченными физическими, сенсорными и умственными способностями, не имеющим опыта и не владеющим информацией о приборе, разрешено использовать прибор только под присмотром других лиц или после соответствующего инструктажа о правилах безопасного пользования и потенциальной опасности в случае несоблюдения этих правил. Не допускать шалостей детей с прибором. Дети могут выполнять чистку прибора и те виды технического обслуживания, которые обычно производятся пользователем, только под присмотром взрослых.



#### Материальный ущерб

Пользователь должен обеспечить защиту прибора и смесителя от замерзания.

### 2.3 Знак технического контроля

См. заводскую табличку на приборе.

#### Евразийское соответствие



Данный прибор соответствует требованиям безопасности технических регламентов Евразийского Экономического Союза ТР ТС 004/2011, ТР ТС 020/2011 и прошел соответствующие процедуры подтверждения соответствия. Сертификат соответствия № ЕАЭС RU С-DE.АЯ46.В.18483/21, срок действия с 12.03.2021 г. по 11.03.2026 г. Орган по сертификации «РОСТЕСТ-Москва» АО «Региональный орган по сертификации и тестированию».

## 3. Описание устройства

Проточный нагреватель с гидравлическим управлением нагревает воду, проходящую через прибор. При открытии смесителя и превышении расхода, необходимого для включения (см. главу «Технические характеристики / Таблица параметров»), прибор автоматически начинает нагрев. Расход и температуру горячей воды можно регулировать с помощью смесителя.

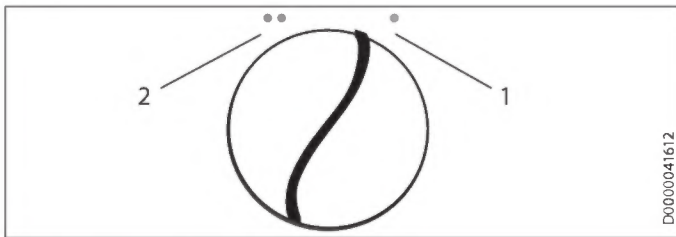
Можно выбрать один из 2 уровней мощности. Кроме того, предусмотрено гидравлическое управление 2 уровнями мощности в зависимости от расхода.

Регулирование расхода компенсирует колебания давления, тем самым обеспечивая практически неизменную температуру. Регулирование ограничивает расход, благодаря чему водопроводная вода всегда нагревается до достаточной температуры.

#### Нагревательная система

Нагревательная система с открытым нагревательным элементом защищена герметичным пластиковым корпусом. Нагревательная система пригодна для мягкой и жесткой воды, так как она практически невосприимчива к образованию накипи. Нагревательная система обеспечивает быстрое и эффективное снабжение горячей водой.

## 4. Настройки



- 1 Частичная мощность  
При малом расходе используется 1/3 мощности нагрева, при большем – 2/3. Эта настройка подходит, например, для мытья рук.
  - 2 Полная мощность  
При малом расходе включается половинная мощность нагрева, при большем – полная мощность. Эта настройка подходит, например, для мытья посуды.
- ▶ Зафиксируйте регулятор мощности в нужном положении.

### Рекомендация по настройке при использовании термостатического смесителя

- ▶ Регулятор мощности нужно установить в положение полной мощности.

### 4.1 Рекомендация по настройке смесителя



#### Указание

Если раздаточный кран горячей воды полностью открыт, и установлена полная мощность нагрева, но при этом вода на выходе имеет недостаточную температуру, это значит, что через прибор проходит больше воды, чем может нагреть нагревательный элемент (достигнута предельная мощность прибора).

- ▶ В таком случае необходимо снизить расход воды на раздаточном кране.

небольшой расход = высокая температура на выходе

большой расход = низкая температура на выходе

### Смеситель с двумя ручками

Уровень мощности	Область применения
Частичная мощность	Умывальник
Полная мощность	Ванна, мойка

- ▶ При высокой температуре и полностью открытой арматуре нужно добавлять холодную воду.

### Смеситель однорычажный

Уровень мощности	Область применения
Полная мощность	Все

- ▶ Рычаг смесителя установить в крайнее положение горячей воды.
- ▶ Полностью открыть смеситель.
- ▶ Повысить температуру на выходе, медленно закрывая смеситель.

- ▶ Снизить температуру на выходе, добавляя холодную воду или, если это возможно, снова открывая смеситель.

### После отключения подачи воды



#### Материальный ущерб

После отключения водоснабжения при повторном включении прибора следует выполнить указанные далее шаги. Это поможет избежать повреждения нагревательной системы с открытым нагревательным элементом.

- ▶ Обесточить прибор, отключив предохранители.
- ▶ Открыть вентиль смесителя на одну минуту, пока из прибора и линии подачи холодной воды не будет удален весь воздух.
- ▶ Возобновить подачу сетевого напряжения.

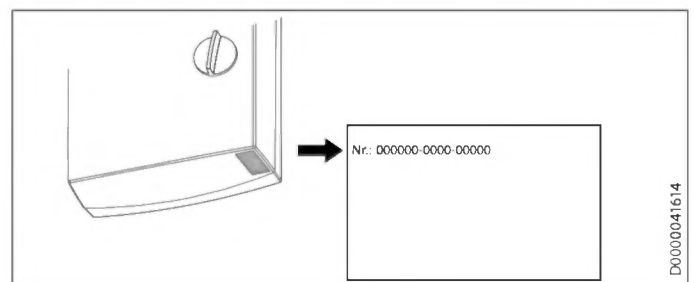
## 5. Чистка, уход и техническое обслуживание

- ▶ Не использовать абразивные или едкие чистящие средства. Для ухода за прибором и очистки корпуса достаточно влажной тканевой салфетки.
- ▶ Необходимо регулярно проверять смесители. Известковые отложения на изливе смесителя можно удалить с помощью имеющихся в продаже средств для удаления накипи.

## 6. Поиск и устранение проблем

Проблема	Причина	Способ устранения
Прибор не включается, несмотря на полностью открытый кран горячей воды.	Отсутствует напряжение.	Проверить предохранители домашней электросети.
	Расхода недостаточно для включения нагрева. Регулятор струи на смесителе засорился.	Прочистить и/или удалить известковый налет из отверстий в регуляторе струи.

Если невозможно устранить эту неисправность самостоятельно, нужно пригласить специалиста. Чтобы специалист смог оперативно помочь, необходимо сообщить ему номер прибора с заводской таблички (000000-0000-00000):



# УСТАНОВКА

## 7. Техника безопасности

Установка, ввод в эксплуатацию, а также техническое обслуживание и ремонт прибора должны производиться только квалифицированным специалистом.

### 7.1 Общие указания по технике безопасности

Безупречная работа прибора и безопасность эксплуатации гарантируются только при использовании соответствующих оригинальных принадлежностей и оригинальных запчастей.



#### Материальный ущерб

Необходимо учитывать максимально допустимое значение температуры подачи. При более высоких температурах подачи возможно повреждение прибора. При установке центрального термостатического смесителя максимальную температуру подаваемой воды можно ограничить.

### 7.2 Предписания, стандарты и положения



#### Указание

Необходимо соблюдать все национальные и региональные предписания и положения.

- Степень защиты IP 25 (защита от струй воды) обеспечивается только при надлежащей установке защитной втулки для кабеля.
- Удельное электрическое сопротивление воды не должно быть ниже указанного на заводской табличке! При наличии объединенной водопроводной сети следует учитывать минимальное электрическое сопротивление воды (см. главу «Технические характеристики / Рабочие диапазоны / Таблица пересчета данных»). Выяснить удельное электрическое сопротивление или электропроводность воды на предприятии водоснабжения.

## 8. Описание устройства

### 8.1 Комплект поставки

В комплект поставки прибора входят:

- Настенная монтажная планка
- Резьбовая шпилька для настенной монтажной планки
- Шаблон для монтажа
- 2 двойных ниппеля (для холодной воды, с запорным клапаном)
- Плоские уплотнения
- Кабельная втулка (подключение электропитания сверху / внизу)

- Шурупы / дюбели для настенного крепежа при открытом монтаже водопровода

Для замены прибора:

- 2 резьбовых удлинителя

## 9. Подготовительные мероприятия

### 9.1 Место монтажа



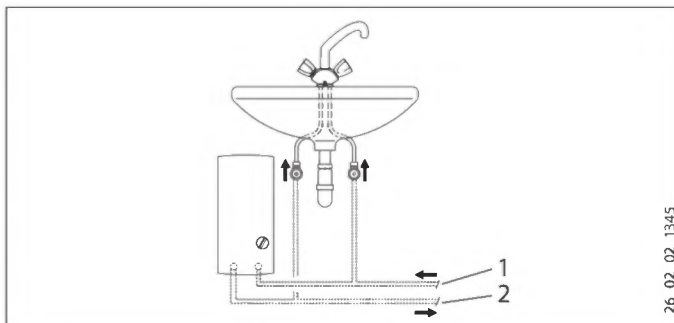
#### Материальный ущерб

Прибор разрешается устанавливать только в отапливаемом помещении.

- Устанавливать прибор следует вертикально, в непосредственной близости от точки отбора воды.

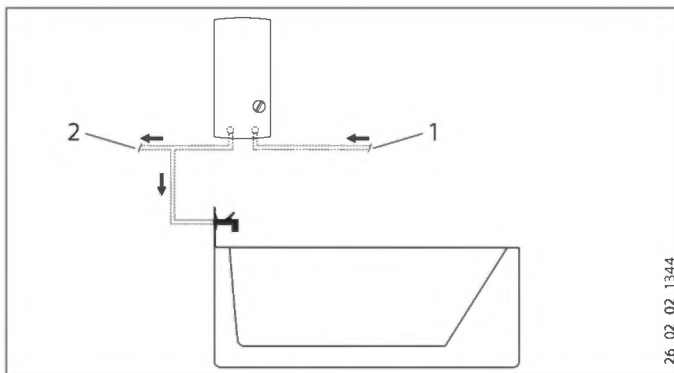
Прибор можно устанавливать под раковиной или над ней.

#### Монтаж под раковиной



- 1 Подвод холодной воды
- 2 Выпуск горячей воды

#### Монтаж над раковиной



- 1 Подвод холодной воды
- 2 Выпуск горячей воды



#### Указание

► Смонтировать прибор на стене. Стена должна обладать достаточной несущей способностью.

### 9.2 Водопроводные работы

- Эксплуатация с предварительно подогретой водой недопустима.
- Установка предохранительного клапана не требуется.
- Установка предохранительных клапанов в трубопровод горячей воды недопустима.
- ▶ Тщательно промыть водопроводную систему.
- ▶ Необходимо убедиться, что объемный расход (см. главу «Технические характеристики / Таблица параметров») достаточен для включения прибора. Если раздаточный вентиль полностью открыт, но объемный расход остается ниже необходимого для включения прибора, следует повысить давление в водопроводной системе.

#### Смесители

Использовать подходящие напорные смесители. Запрещено использовать безнапорные смесители.

Термостатические напорные смесители должны подходить для проточных водонагревателей с гидравлическим управлением.



#### Указание

Для уменьшения потока запрещено использовать запорный клапан на линии подачи холодной воды! Это приводит к блокированию прибора.

#### Разрешенные материалы для водопроводных труб

- Линия подачи холодной воды: труба из горячеоцинкованной стали, нержавеющей стали, меди или пластика
- Трубопровод горячей воды: труба из нержавеющей стали, меди или пластика



#### Материальный ущерб

При использовании пластмассовых труб нужно учитывать максимальную температуру и максимально допустимое давление (см. главу «Технические характеристики / таблица параметров»).

#### Гибкие шланги для подвода воды

- ▶ При подключении прибора с помощью гибких шлангов необходимо предусмотреть защиту от проворачивания трубных колен с байонетным соединением.
- ▶ Закрепить заднюю стенку, зафиксировав ее снизу двумя дополнительными винтами.

## 10. Монтаж

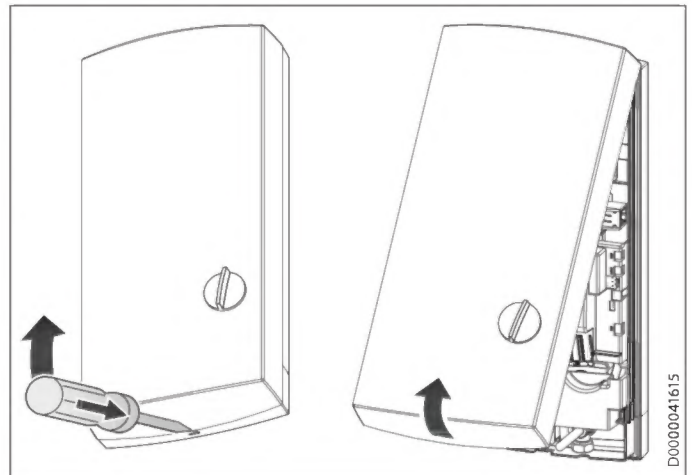
### 10.1 Стандартный

- Электроподключение сверху при скрытой проводке
- Подключение к водопроводу скрытой установки

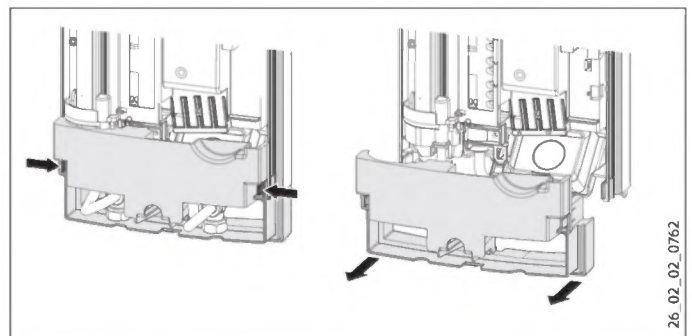
Другие способы монтажа см. главу «Варианты монтажа».

- Электроподключение снизу при скрытой проводке
- Электроподключение при открытой проводке
- Подключение реле сброса нагрузки
- Подключение к водопроводу открытого монтажа
- Подключение к водопроводу скрытого монтажа при замене прибора

#### Открывание прибора

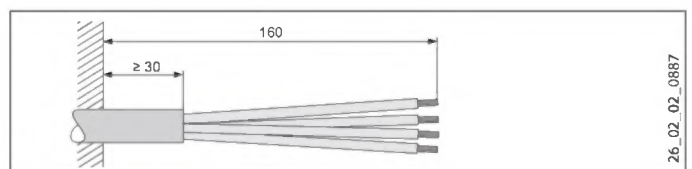


- ▶ Открыть прибор, отжав защелку фиксатора.

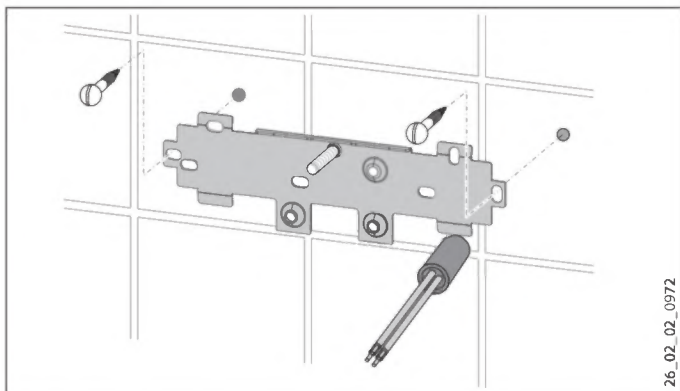


- ▶ Снять заднюю панель, для этого нажать на оба крючка-фиксатора и потянуть нижнюю часть задней панели вперед.

#### Подготовка кабеля питания



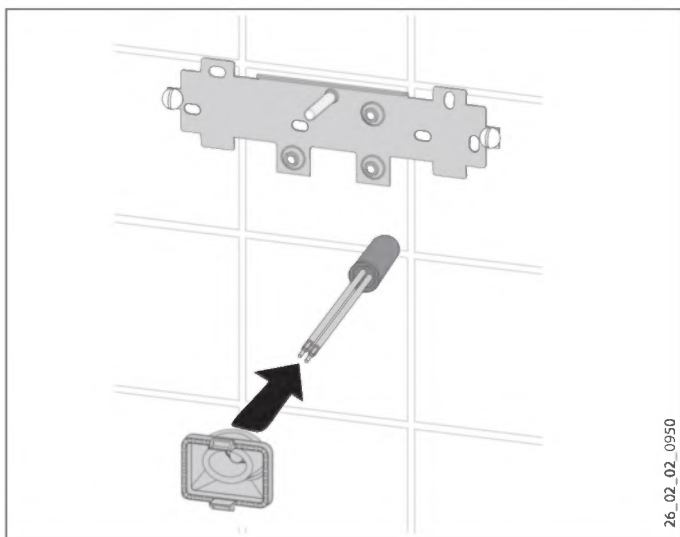
### Установка настенной монтажной планки



26\_02\_02\_0972

- ▶ Разметить места сверления отверстий при помощи шаблона для монтажа. При подключении прибора к водопроводу открытого монтажа нужно дополнительно отметить крепежные отверстия в нижней части шаблона.
- ▶ Просверлить отверстия и закрепить настенную монтажную планку с помощью 2 винтов и 2 дюбелей (винты и дюбели не входят в комплект поставки).
- ▶ Установить прилагаемую резьбовую шпильку.
- ▶ Установить настенную монтажную планку.

### Монтаж кабельной втулки

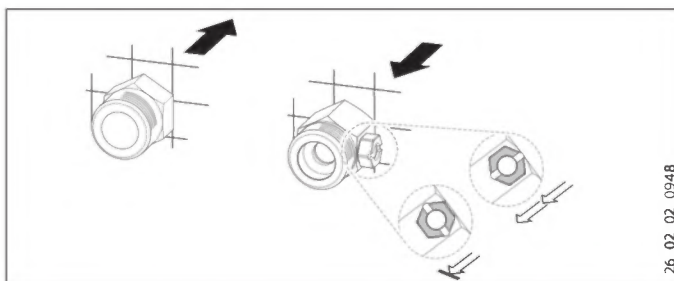


26\_02\_02\_0950

- ▶ Смонтировать кабельную втулку. Если поперечное сечение кабеля превышает 6 мм<sup>2</sup>, отверстие в кабельной втулке необходимо расширить.

### Подключение прибора к системе водоснабжения

- ! **Материальный ущерб**  
Все работы по подключению воды и установке прибора необходимо производить в соответствии с инструкцией.



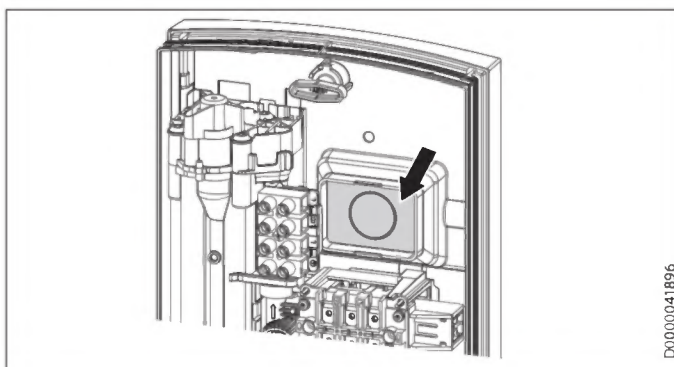
26\_02\_02\_0948

- ▶ Поставить прокладку и ввинтить двойной ниппель.

- ! **Материальный ущерб**  
Для уменьшения потока запрещено использовать запорный клапан на линии подачи холодной воды!

### Подготовка задней стенки

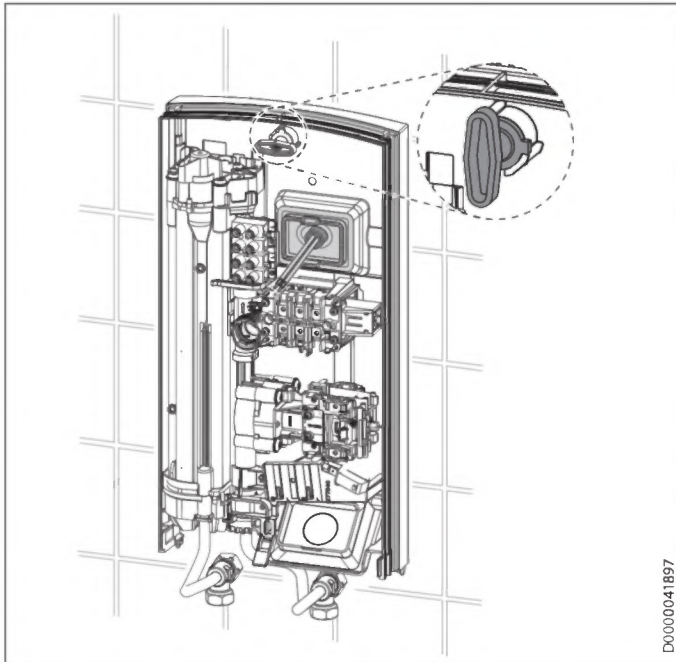
- ! **Материальный ущерб**  
Если по ошибке было выломано не то отверстие для кабельной втулки, необходимо использовать новую заднюю стенку.



D0000041896

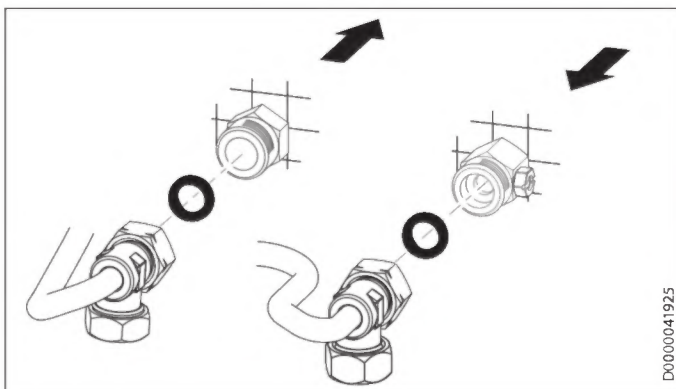
- ▶ Выломать в заданной точке на задней стенке отверстие для кабельной втулки. При наличии острых кромок их необходимо чисто обработать напильником.

### Монтаж прибора



D0000041897

- ▶ Надеть заднюю стенку на шпильку и кабельную втулку. Подтянуть плоскогубцами кабельную втулку к фиксатору на задней стенке так, чтобы оба фиксатора защелкнулись со слышимым щелчком.
- ▶ Удалить защитные заглушки из патрубков для подключения воды.
- ▶ Плотно прижать заднюю панель к стене, зафиксировать панель с помощью крепежного воротка путем правого вращения на 90°.



D0000041925

- ▶ Прикрутить трубы с плоскими уплотнителями к двойным ниппелям.



#### Материальный ущерб

Для работы прибора необходима установка сетчатого фильтра.

- ▶ При замене прибора проверить наличие сетчатого фильтра (см. главу «Техническое обслуживание»).

### Подключение к сети электропитания



**ПРЕДУПРЕЖДЕНИЕ** поражение электрическим током

Все работы по электрическому подключению и установке необходимо производить в соответствии с инструкцией.



**ПРЕДУПРЕЖДЕНИЕ** поражение электрическим током

Подключение к электросети допустимо только в неразъемном исполнении и при наличии съемной кабельной втулки. Прибор должен отключаться от сети с размыканием всех контактов на всех полюсах и изолированием на расстоянии не менее 3 мм.



**ПРЕДУПРЕЖДЕНИЕ** поражение электрическим током

Проверить подключение прибора к защитному проводу.

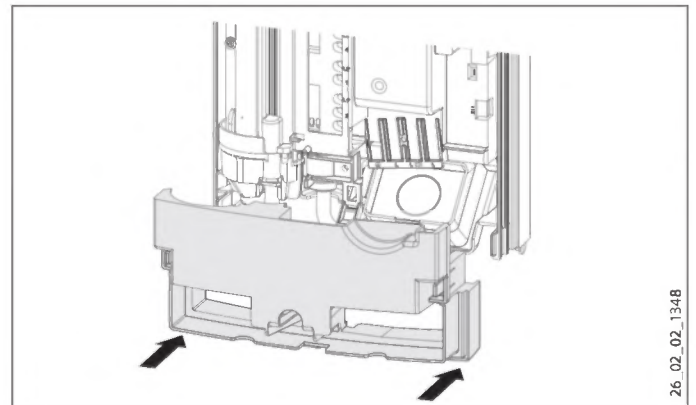


#### Материальный ущерб

Следует соблюдать данные на заводской табличке. Напряжение сети должно совпадать с указанным на табличке.

- ▶ Подключить кабель питания к соединительной клемме сети (см. главу «Технические характеристики / Электрическая схема»).

### Монтаж нижней части задней стенки

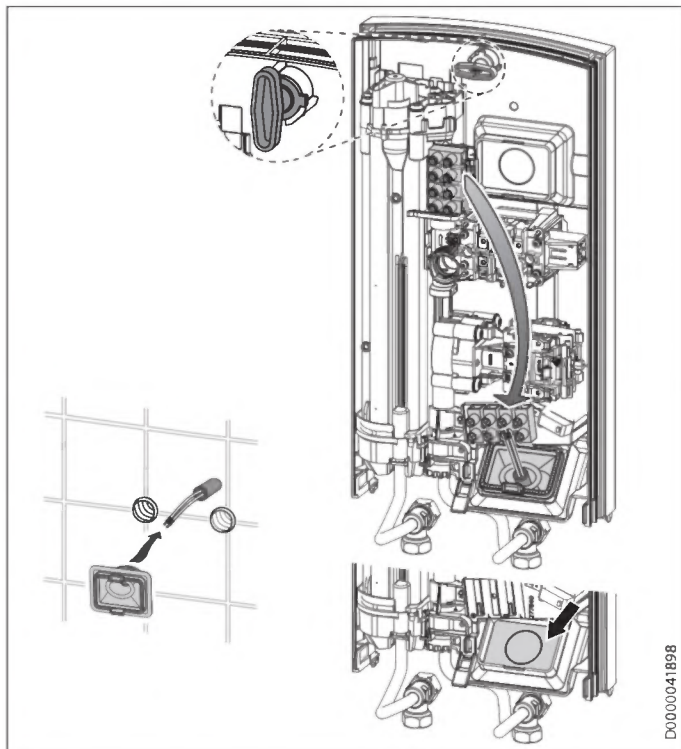


26\_02\_02\_1348

- ▶ Установить нижнюю часть задней панели и защелкнуть ее в задней панели.
- ▶ Выровнять установленный прибор, ослабив крепежный вороток, поправить электрический кабель и заднюю стенку, после чего вновь затянуть крепежный вороток. Если задняя панель не прилегает к стене, то нижнюю часть прибора можно закрепить двумя дополнительными шурупами.

### 10.2 Варианты а

#### 10.2.1 Электроподключение снизу при скрытой проводке



- ▶ Смонтировать кабельную втулку.



#### Материальный ущерб

Если по ошибке было выломано не то отверстие для кабельной втулки, необходимо использовать новую заднюю стенку.

- ▶ Выломать в заданной точке на задней стенке отверстие для кабельной втулки. При наличии острых кромок их необходимо чисто обработать напильником.
- ▶ Переместить клемму подключения к электросети с верхней части прибора вниз.
- ▶ Надеть заднюю стенку на шпильку и кабельную втулку. Подтянуть плоскогубцами кабельную втулку к фиксатору на задней стенке так, чтобы оба фиксатора защелкнулись со слышимым щелчком.
- ▶ Плотнo прижать заднюю панель к стене, зафиксировать панель с помощью крепежного воротка путем правого вращения на 90°.

#### 10.2.2 Электроподключение при открытой проводке



#### Указание

При таком способе подключения изменится степень защиты прибора.

- ▶ Изменить данные на заводской табличке. Зачеркнуть маркировку «IP 25» и пометить крестиком ячейку «IP 24». Для этого использовать шариковую ручку.



#### Материальный ущерб

Если по ошибке было выломано не то отверстие для кабельной втулки, необходимо использовать новую заднюю стенку.

- ▶ На задней стенке прибора чисто выполнить необходимые проходные отверстия (их расположение см. главу «Технические характеристики / Размеры и соединения»). При наличии острых кромок их необходимо чисто обработать напильником.
- ▶ Пропустить кабель электропитания через кабельную втулку и подключить его к соединительной клемме сети.

#### 10.2.3 Подключение реле сброса нагрузки

Реле сброса нагрузки в электrorаспределительном устройстве следует использовать совместно с другими электроприборами, например, с электрическими накопительными водонагревателями. Сброс нагрузки осуществляется при работе проточного водонагревателя.



#### Материальный ущерб

Подключить фазу, на которую установлено реле сброса нагрузки, к помеченной соединительной клемме сети в приборе (см. главу «Технические характеристики / Электрические схемы и соединения»).

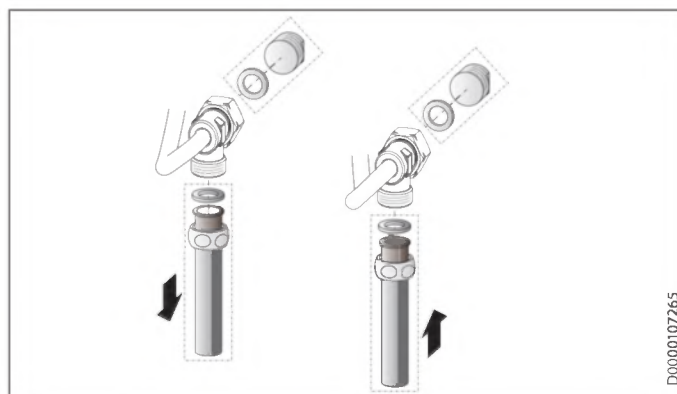
#### 10.2.4 Подключение к водопроводу открытого монтажа



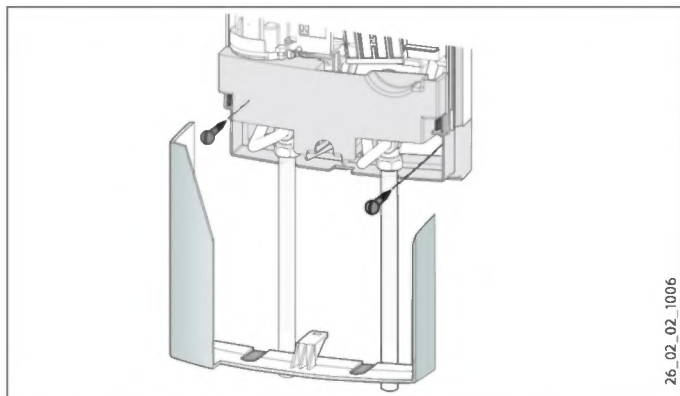
#### Указание

При таком способе подключения изменится степень защиты прибора.

- ▶ Изменить данные на заводской табличке. Зачеркнуть маркировку «IP 25» и пометить крестиком ячейку «IP 24». Для этого использовать шариковую ручку.



- ▶ На трубопровод скрытого монтажа установить заглушки с уплотнениями.
- ▶ Выполнить монтаж соответствующего напорного смесителя.



26\_02\_02\_1006

- ▶ Закрепить заднюю стенку, зафиксировав ее снизу двумя дополнительными винтами.
- ▶ Установить нижнюю часть задней панели под трубы арматуры и зафиксировать ее в задней панели.
- ▶ Соединить трубы с прибором.



### Материальный ущерб

Если по ошибке было сделано не то отверстие в крышке прибора, необходимо использовать новую крышку прибора.

- ▶ Аккуратно выломать проходные отверстия в крышке прибора. При наличии острых кромок их необходимо чисто обработать напильником.

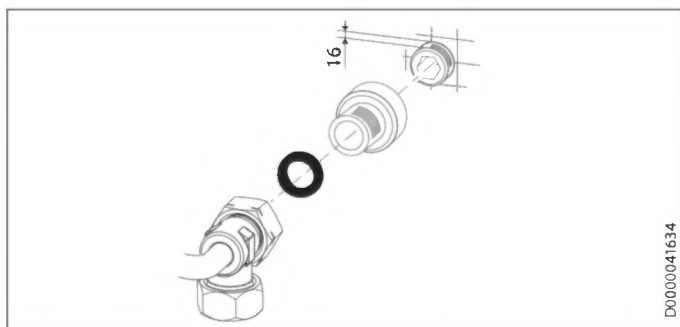
### 10.2.5 Подключение к водопроводу скрытого монтажа при замене прибора

Если имеющиеся двойные ниппели старого прибора выступают из стены всего примерно на 16 мм, использовать входящие в комплект поставки двойные ниппели нельзя.



### Указание

При таком подключении перекрыть подачу холодной воды можно только на уровне домовой водопроводной сети.



D0000041634

- ▶ Обеспечить уплотнение и ввернуть входящие в комплект поставки резьбовые удлинители.
- ▶ Подключить прибор.

### 10.3 Завершение монтажа

- ▶ Открыть запорный вентиль в двойном ниппеле или в трубопроводе подачи холодной воды.

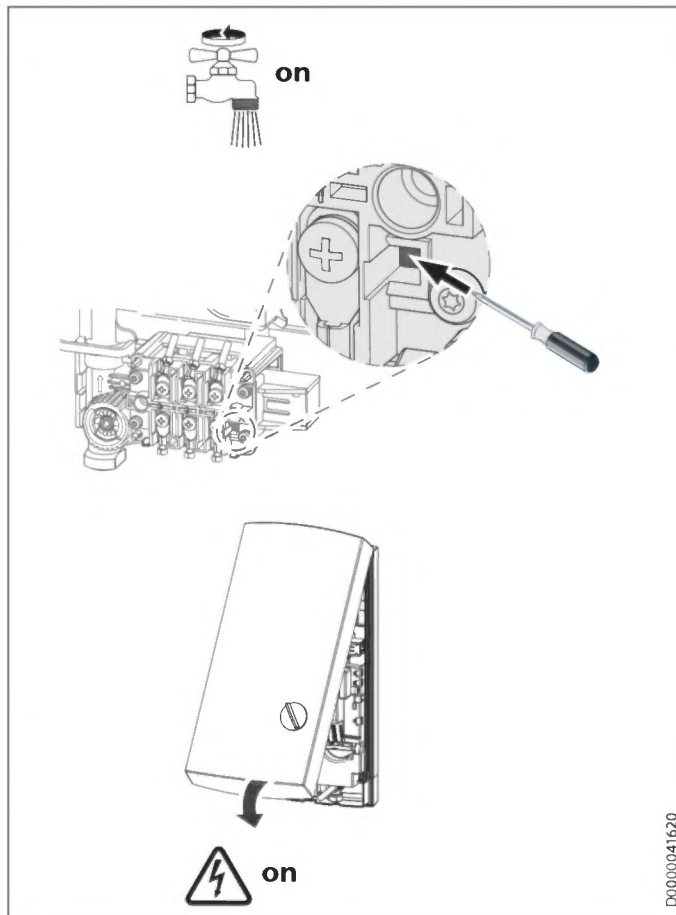
## 11. Ввод в эксплуатацию



**ПРЕДУПРЕЖДЕНИЕ** поражение электрическим током

Ввод прибора в эксплуатацию может осуществляться только специалистом при условии соблюдения правил техники безопасности.

### 11.1 Первый ввод в эксплуатацию



D0000041620

- ▶ Многократно открывать и закрывать все подключенные раздаточные краны до тех пор, пока из водопроводной сети и прибора не выйдет весь воздух.
- ▶ Выполнить проверку герметичности.
- ▶ Активировать предохранительный ограничитель давления, сильно нажав кнопку сброса (на момент поставки прибора функция предохранительного ограничителя давления деактивирована).
- ▶ Установить крышку прибора и зафиксировать до слышимого щелчка. Проверить положение крышки прибора.
- ▶ Подать сетевое напряжение.
- ▶ Проверить работу прибора.

### Передача устройства

- ▶ Объяснить пользователю принцип работы устройства и ознакомить его с правилами использования устройства.
- ▶ Указать пользователю на возможные опасности, особенно на опасность обваривания.
- ▶ Передать данное руководство.

### 11.2 Повторный ввод в эксплуатацию

Удалить воздух из прибора и трубопровода подачи холодной воды (см. главу «Настройки»).

См. главу «Первый ввод в эксплуатацию».

## 12. Вывод из эксплуатации

- ▶ Полностью обесточить прибор с размыканием контактов на всех полюсах.
- ▶ Опорожнить прибор, см. главу «Техническое обслуживание».

## 13. Поиск и устранение неисправностей

Неисправность	Причина	Способ устранения
Очень слабый поток воды.	Загрязнен сетчатый фильтр в приборе.	Очистить сетчатый фильтр.
Регулятор расхода не включается, несмотря на полностью открытый смеситель.	Не достигается расход, необходимый для включения нагрева.	Очистить сетчатый фильтр.
Из прибора, несмотря на слышимый щелчок включения дифференциального реле давления, не поступает горячая вода.	Предохранительный ограничитель давления (AP 3) отключил прибор из соображений безопасности.	Устранить причину неисправности (например, неисправный сливной кран).  Открыть кран отбора горячей воды на одну минуту для защиты нагревательной системы от перегрева. Это позволит снять нагрузку с нагревательной системы и обеспечит ее охлаждение. Активировать предохранительный ограничитель давления при наличии гидравлического давления, для этого следует нажать кнопку сброса (см. главу «Первый ввод в эксплуатацию»).
	Неисправна нагревательная система.	Измерить сопротивление в нагревательной системе, при необходимости заменить сопротивление.

## 14. Техническое обслуживание



**ПРЕДУПРЕЖДЕНИЕ** поражение электрическим током

При любых работах необходимо полное отключение прибора от сети.

### Опорожнение прибора

Для проведения работ по техническому обслуживанию воду из прибора можно слить.

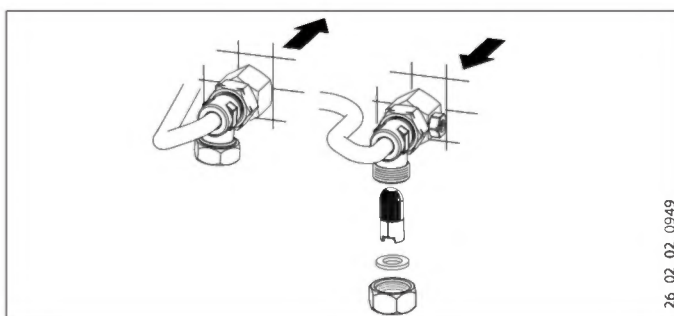


**ПРЕДУПРЕЖДЕНИЕ** ожог

При опорожнении прибора может вытекать горячая вода.

- ▶ Закрыть запорный вентиль в двойном ниппеле или в трубопроводе подачи холодной воды.
- ▶ Открыть все раздаточные вентили.
- ▶ Отсоединить трубопроводы подачи воды от прибора.
- ▶ Хранить демонтированный прибор в отапливаемом помещении, поскольку в приборе всегда находятся остатки воды, которые могут замерзнуть и повредить его.

### Чистка сетчатого фильтра

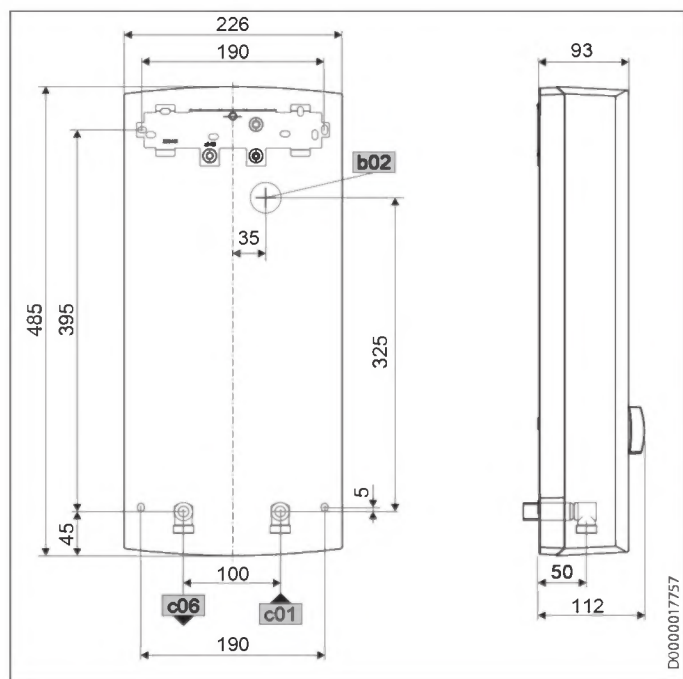


26\_02\_02\_0949

Очистить сетчатый фильтр в резьбовом соединении трубопровода холодной воды. Закрыть запорный вентиль в трубопроводе подачи холодной воды, демонтировать сетчатый фильтр, очистить его и установить снова.

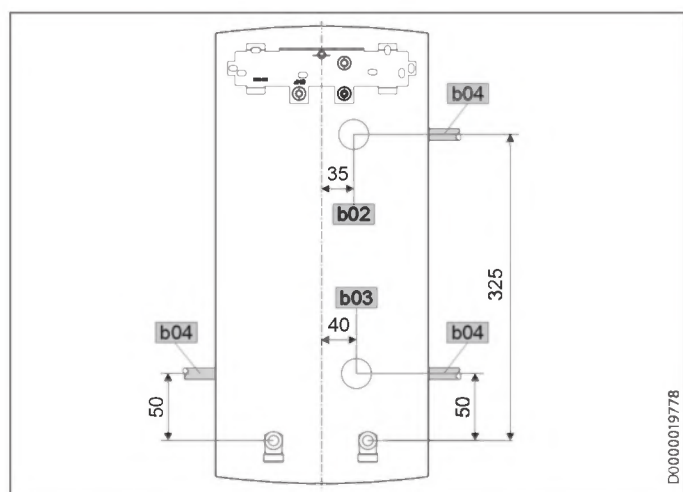
## 15. Технические характеристики

### 15.1 Размеры и подключения



b02	Ввод кабеля электропитания I		
c01	Подвод холодной воды	Наружная резьба	G 1/2 A
c06	Выпуск горячей воды	Наружная резьба	G 1/2 A

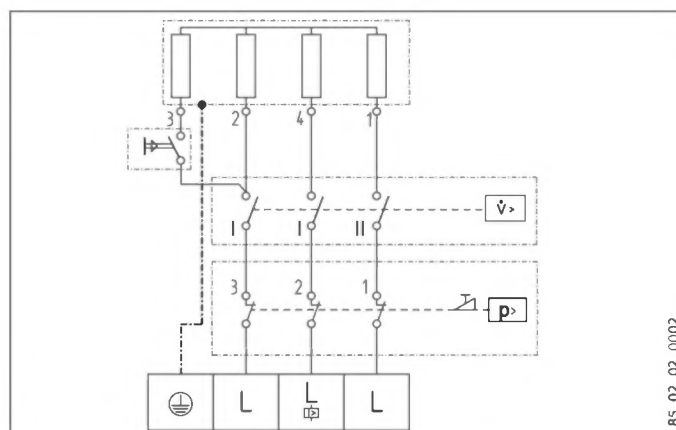
### Варианты подключения



b02	Ввод кабеля электропитания I
b03	Ввод кабеля электропитания II
b04	Ввод кабеля электропитания III

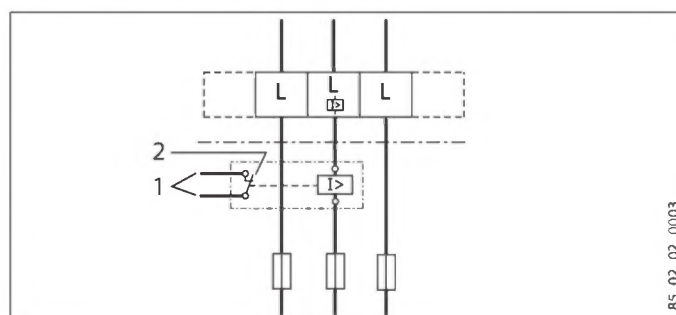
### 15.2 Электрическая схема

3/PE ~ 380 - 400 В



- 1 Нагрев
- 2 Предохранительный ограничитель температуры
- 3 Предохранительный ограничитель давления

### Приоритетная схема с LR 1-A



- 1 Линия цепи управления к контактору 2-го прибора (например, электрическому накопительному водонагревателю).
- 2 Управляющий контакт размыкается при включении проточного водонагревателя.

### 15.3 Производительность по горячей воде

Производительность по горячей воде зависит от напряжения в сети, потребляемой мощности прибора и температуры холодной воды. Сведения о номинальном напряжении и номинальной мощности указаны на заводской табличке (см. главу «Устранение неисправностей»).

	Потребляемая мощность, кВт		Производительность по горячей воде (38 °С), л/мин.			
	Номинальное напряжение		Температура холодной воды на подаче			
	380 В	400 В	5 °С	10 °С	15 °С	20 °С
<b>РНВ 13</b>						
I макс.	9,6		4,2	4,9	6,0	7,6
I макс.		10,6	4,6	5,4	6,6	8,4
II макс.	12,2		5,3	6,2	7,6	9,7
II макс.		13,5	5,8	6,9	8,4	10,7
<b>РНВ 18</b>						
I макс.	12,9		5,6	6,6	8,0	10,2
I макс.		14,3	6,2	7,3	8,9	11,3
II макс.	16,3		7,1	8,3	10,1	12,9
II макс.		18	7,8	9,2	11,2	14,3
<b>РНВ 21</b>						
I макс.	15,2		6,6	7,8	9,4	12,1
I макс.		16,8	7,3	8,6	10,4	13,3
II макс.	19		8,2	9,7	11,8	15,1
II макс.		21	9,1	10,7	13,0	16,7
<b>РНВ 24</b>						
I макс.	17,1		7,4	8,7	10,6	13,6
I макс.		19	8,2	9,7	11,8	15,1
II макс.	21,7		9,4	11,1	13,5	17,2
II макс.		24	10,4	12,2	14,9	19,0

	Потребляемая мощность, кВт		Производительность по горячей воде (50 °С), л/мин.			
	Номинальное напряжение		Температура холодной воды на подаче			
	380 В	400 В	5 °С	10 °С	15 °С	20 °С
<b>РНВ 13</b>						
I макс.	9,6		3,0	3,4	3,9	4,6
I макс.		10,6	3,4	3,8	4,3	5,0
II макс.	12,2		3,9	4,4	5,0	5,8
II макс.		13,5	4,3	4,8	5,5	6,4
<b>РНВ 18</b>						
I макс.	12,9		4,1	4,6	5,3	6,1
I макс.		14,3	4,5	5,1	5,8	6,8
II макс.	16,3		5,2	5,8	6,7	7,8
II макс.		18	5,7	6,4	7,3	8,6
<b>РНВ 21</b>						
I макс.	15,2		4,8	5,4	6,2	7,2
I макс.		16,8	5,3	6,0	6,9	8,0
II макс.	19		6,0	6,8	7,8	9,0
II макс.		21	6,7	7,5	8,6	10,0
<b>РНВ 24</b>						
I макс.	17,1		5,4	6,1	7,0	8,1
I макс.		19	6,0	6,8	7,8	9,0
II макс.	21,7		6,9	7,8	8,9	10,3
II макс.		24	7,6	8,6	9,8	11,4

### 15.4 Рабочие диапазоны / Таблица пересчета данных

Удельное электрическое сопротивление и удельная электропроводность (см. главу «Таблица параметров»).

Стандартные данные при 15 °С			20 °С			25 °С		
Сопротивление $\rho \geq$	Электропроводность $\sigma \leq$		Сопротивление $\rho \geq$	Электропроводность $\sigma \leq$		Сопротивление $\rho \geq$	Электропроводность $\sigma \leq$	
	Ом·см	мСм/м		Ом·см	мСм/м		Ом·см	мСм/м
900	111	1111	800	125	1250	735	136	1361

### 15.5 Потери давления

#### Смесители

Потеря давления на смесителях при объемном расходе 10 л/мин		
Однорычажный смеситель, пригл.	МПа	0,04 - 0,08
Термостатический смеситель, пригл.	МПа	0,03 - 0,05
Ручной душ, пригл.	МПа	0,03 - 0,15

#### Расчет параметров трубопроводной сети

При расчете параметров трубопроводной сети для прибора рекомендуется задать потерю давления 0,1 МПа.

### 15.6 Возможные неисправности

При неисправности в трубопроводной системе могут возникнуть кратковременные пиковые нагрузки с повышением температуры до 95 °С и давления до 1,2 МПа.

## 15.7 Характеристики энергопотребления

Технические характеристики изделия: Стандартный водонагреватель (в соответствии с регламентом ЕС № 812/2013 и 814/2013)

		PHB 13	PHB 18	PHB 21	PHB 24
		233998	233999	234000	234001
Производитель		STIEBEL ELTRON	STIEBEL ELTRON	STIEBEL ELTRON	STIEBEL ELTRON
Профиль нагрузки		X5	S	S	S
Класс энергоэффективности		A	A	A	A
Энергетический КПД	%	39	38	38	38
Годовое потребление электроэнергии	кВт*ч	469	483	483	483
Уровень звуковой мощности	дБ(A)	15	15	15	15
Особые указания по измерению эффективности		Нет	Нет	Нет	Нет
Суточное потребление электроэнергии	кВт*ч	2,148	2,215	2,197	2,186

## 15.8 Таблица параметров

		PHB 13	PHB 18	PHB 21	PHB 24				
		233998	233999	234000	234001				
<b>Электрические характеристики</b>									
Номинальное напряжение	В	380	400	380	400	380	400	380	400
Номинальная мощность, ступень I мин.	кВт	4,2	4,6	5,7	6,3	6,7	7,4	7,5	8,3
Номинальная мощность, ступень I макс.	кВт	9,6	10,6	12,9	14,3	15,2	16,8	17,1	19
Номинальная мощность, ступень II мин.	кВт	6,1	6,8	8,3	9,2	9,7	10,8	11	12,2
Номинальная мощность, ступень II макс.	кВт	12,2	13,5	16,3	18	19	21	21,7	24
Номинальный ток	А	18,5	19,5	24,7	26	29,5	31	33,3	35
Предохранитель	А	20	20	25	25	32	32	35	35
Фазы		3/PE	3/PE	3/PE	3/PE	3/PE	3/PE	3/PE	3/PE
Частота	Гц	50/60	50/60	50/60	50/60	50/60	50/60	50/60	50/60
Удельное сопротивление $\rho_{15} \geq$	Ом·см	900	900	900	900	900	900	900	900
Удельная электропроводность $\sigma_{15} \leq$	мкСм/см	1111	1111	1111	1111	1111	1111	1111	1111
<b>Модификации</b>									
Цвет		белый	белый	белый	белый	белый	белый	белый	белый
Степень защиты (IP)		IP25	IP25	IP25	IP25	IP25	IP25	IP25	IP25
Генератор тепла системы отопления		Открытый нагревательный элемент	Открытый нагревательный элемент	Открытый нагревательный элемент	Открытый нагревательный элемент	Открытый нагревательный элемент	Открытый нагревательный элемент	Открытый нагревательный элемент	Открытый нагревательный элемент
<b>Соединения</b>									
Подключение к водопроводу		G 1/2 A	G 1/2 A	G 1/2 A	G 1/2 A	G 1/2 A	G 1/2 A	G 1/2 A	G 1/2 A
<b>Пределы рабочего диапазона</b>									
Макс. допустимое давление	МПа	1	1	1	1	1	1	1	1
<b>Параметры</b>									
Макс. допустимая температура подачи	°C	25	25	25	25	25	25	25	25
Потеря давления при объемном расходе	МПа	0,09	0,11	0,11	0,11	0,13	0,13	0,15	0,15
Объемный расход при потере давления	л/мин	3,9	4,5	4,5	4,5	5,6	5,6	6,3	6,3
Ограничение объемного расхода при	л/мин	4,7	5,9	5,9	5,9	7,0	7,0	7,8	7,8
Мощность по горячей воде	л/мин	7,0	9,4	9,4	9,4	11,1	11,1	12,5	12,5
Δθ при подаче	К	26	26	26	26	26	26	26	26
<b>Гидравлические характеристики</b>									
Номинальная емкость	л	0,4	0,4	0,4	0,4	0,4	0,4	0,4	0,4
<b>Размеры</b>									
Высота	мм	485	485	485	485	485	485	485	485
Ширина	мм	226	226	226	226	226	226	226	226
Глубина	мм	93	93	93	93	93	93	93	93
<b>Вес</b>									
Вес	кг	3,6	3,6	3,6	3,6	3,6	3,6	3,6	3,6



## Указание

Прибор соответствует требованиям стандарта IEC 61000-3-12.

Серийный номер на шильдике прибора содержит дату изготовления прибора.

Серийный номер имеет следующую структуру: 6-значный артикул прибора - 4-значная дата производства- 6-значный порядковый номер.

4-значная дата производства расшифровывается так:

- Первые две цифры плюс 25 - это год изготовления прибора (2 цифры), то есть 94+25 -> для 2019, 93+25 -> для 2018 и так далее;
- Последние две цифры минус 25 -это календарная неделя изготовления прибора.

Например, 4-значная дата производства 9440 соответствует 15 неделе в 2019 году.

## **Изготовитель:**

«Штибель Эльтрон ГмбХ & Ко. КГ»  
Адрес: Др. -Штибель-Штрассе 33,  
37603, Хольцминден, Германия  
Тел. 05531 702-0 | Факс 05531 702-480  
info@stiebel-eltron.de  
www.stiebel-eltron.de

Сделано в Германии

## **Импортер в РФ:**

ООО «Штибель Эльтрон»  
Адрес: ул. Уржумская, д.4, стр. 2  
129343, г. Москва, Россия  
Тел. +7 495 125 0 125 | Факс: +7 495 775 38 87  
info@stiebel-eltron.ru  
www.stiebel-eltron.ru

## **Гарантия**

Приборы, приобретенные за пределами Германии, не подпадают под условия гарантии немецких компаний. К тому же в странах, где продажу нашей продукции осуществляет одна из наших дочерних компаний, гарантия предоставляется исключительно этой дочерней компанией. Такая гарантия предоставляется только в случае, если дочерней компанией изданы собственные условия гарантии. За пределами этих условий никакая гарантия не предоставляется.

На приборы, приобретенные в странах, где ни одна из наших дочерних компаний не осуществляет продажу нашей продукции, никакие гарантии не распространяются. Это не затрагивает гарантий, которые могут предоставляться импортером.

## **Защита окружающей среды и утилизация**

Внесите свой вклад в охрану окружающей среды. Утилизацию использованных материалов следует производить в соответствии с национальными нормами.

## الضمان

لا تسري شروط الضمان الخاصة بشركائنا داخل ألمانيا على الأجهزة المصدرة إلى خارج ألمانيا. في الدول التي تباع فيها منتجاتنا من قبل فروعنا، يكون الضمان الساري على الأجهزة هو الضمان الذي توفره هذه الفروع. وهذا الضمان لا يعتد به إلا إذا وضع فرع الشركة شروط الضمان الخاصة به. لا يتم الحصول على أية ضمانات أخرى.

نحن لا نوفر أية ضمانات على الأجهزة المصدرة إلى دول لا نمتلك بها فروعاً للشركة. هذا الأمر لا يمس الضمان الذي يوفره المستورد على الإطلاق.

## البيئة وإعادة التدوير

نرجو منك المساعدة في الحفاظ على البيئة. بعد الاستخدام، يرجى التخلص من المواد المختلفة وفقاً للوائح المحلية المتبعة.

## 15.7 بيانات استهلاك الطاقة

صحيفة بيانات المنتج: سخانات مياه تقليدية وفقاً لتوجيه الاتحاد الأوروبي رقم 812/2013 و 814/2013

PHB 24	PHB 21	PHB 18	PHB 13		
234001	234000	233999	233998		
STIEBEL ELTRON	STIEBEL ELTRON	STIEBEL ELTRON	STIEBEL ELTRON		المصنّع
S	S	S	XS		منحنى تغير الحمل
A	A	A	A		فئة كفاءة الطاقة
38	38	38	39	%	درجة فعالية الطاقة
483	483	483	469	كيلوات/ساعة	الاستهلاك السنوي للطاقة
15	15	15	15	ديسيبل (A)	مستوى شدة الصوت
لا يوجد	لا يوجد	لا يوجد	لا يوجد		إرشادات خاصة لقياس الفعالية
2.186	2.197	2.215	2.148	كيلوات/ساعة	الاستهلاك اليومي للتيار الكهربائي

## 15.8 جدول البيانات

PHB 24	PHB 21	PHB 18	PHB 13		
234001	234000	233999	233998		
400	380	400	380	400	380
8.3	7.5	7.4	6.7	6.3	5.7
19	17.1	16.8	15.2	14.3	12.9
12.2	11	10.8	9.7	9.2	8.3
24	21.7	21	19	18	16.3
35	33.3	31	29.5	26	24.7
35	35	32	32	25	25
60/50	60/50	60/50	60/50	60/50	60/50
900	900	900	900	900	900
1111	1111	1111	1111	1111	1111
أبيض	أبيض	أبيض	أبيض	أبيض	أبيض
IP 25	IP 25	IP 25	IP 25	IP 25	IP 25
سلك عاز	سلك عاز	سلك عاز	سلك عاز	سلك عاز	سلك عاز
A 2/G 1	A 2/G 1	A 2/G 1	A 2/G 1	A 2/G 1	A 2/G 1
1	1	1	1	1	1
25	25	25	25	25	25
0.15	0.13	0.11	0.09	0.09	0.09
6.3	5.6	4.5	3.9	3.9	3.9
7.8	7.0	5.9	4.7	4.7	4.7
12.5	11.1	9.4	7.0	7.0	7.0
26	26	26	26	26	26
0.4	0.4	0.4	0.4	0.4	0.4
485	485	485	485	485	485
226	226	226	226	226	226
93	93	93	93	93	93
3.6	3.6	3.6	3.6	3.6	3.6

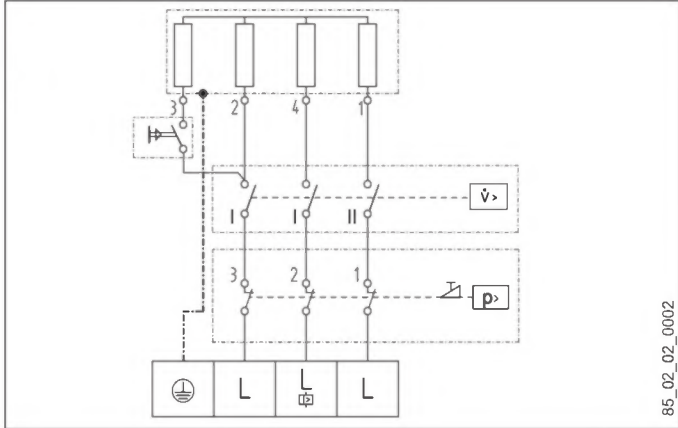


ملحوظة: الجهاز يتوافق مع معايير DIN 61000-3-12.



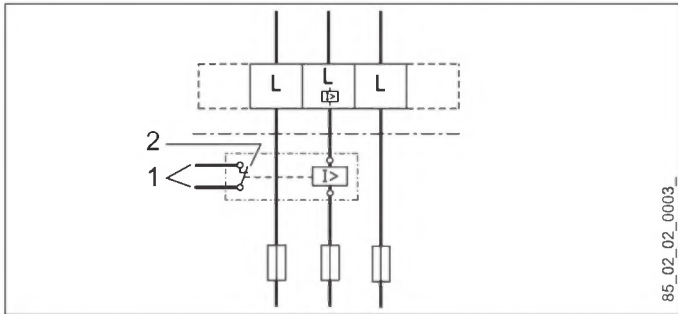
## 15.2 مخطط التوصيل الكهربائي

3/ طاقة الجهد ~ 400 فولت



- 1 التدفئة
- 2 محدد أمان درجة الحرارة
- 3 محدد ضغط الأمان

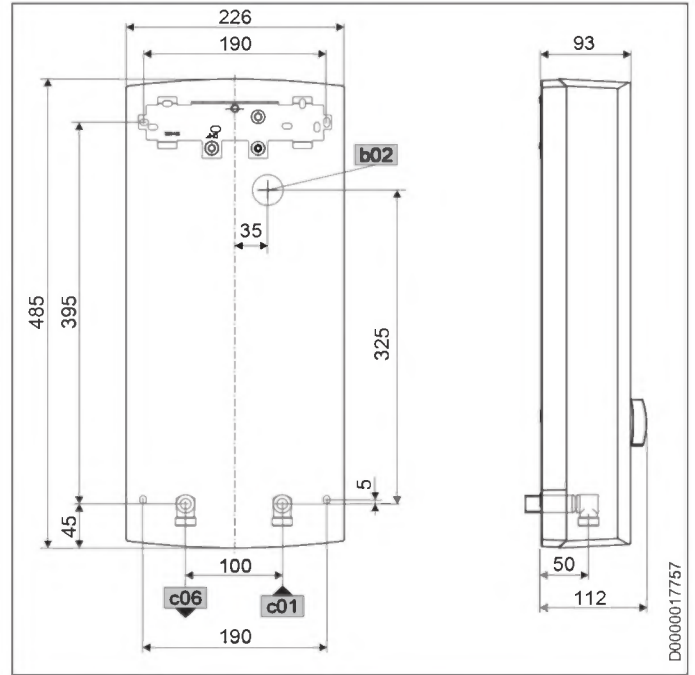
أولوية التشغيل مع LR 1-A



- 1 وصلة التحكم لحماية التشغيل للجهاز الثاني (مثلاً سخان كهربائي بخزان).
- 2 يفتح ملامس التحكم عند تشغيل السخان الفوري.

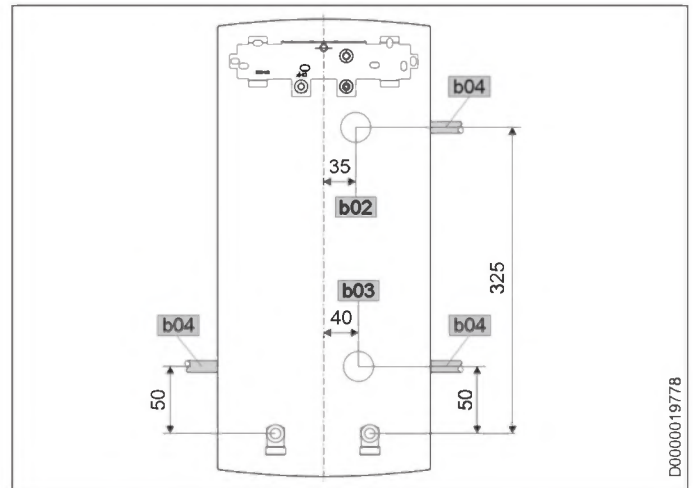
## 15. المواصفات الفنية

### 15.1 المقاييس والتوصيلات



b02	تمديد الأسلاك الكهربائية I
c01	مدخل الماء البارد
c06	مخرج الماء الساخن
G 1/2 A	القلاووظ الخارجي
G 1/2 A	القلاووظ الخارجي

### إمكانات التوصيل البديلة



b02	تمديد الأسلاك الكهربائية I
b03	تمديد الأسلاك الكهربائية II
b04	تمديد الأسلاك الكهربائية III

## 14. الصيانة

تحذير الصعق بالكهرباء  
عند إجراء أي أعمال إفضل جميع أقطاب الجهاز من الشبكة الكهربائية.



### تفريغ الجهاز

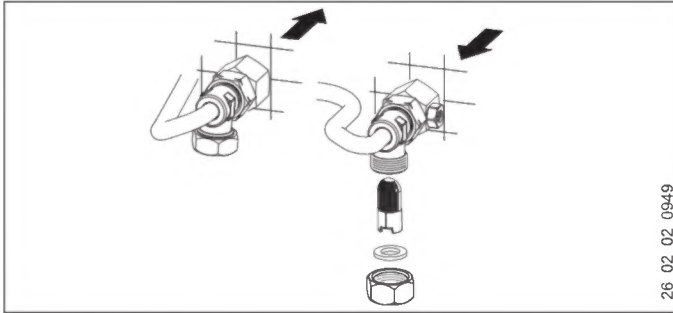
يمكن تفريغ الجهاز لإجراء أعمال الصيانة.

تحذير الحروق  
أثناء تفريغ الجهاز قد يتسرب ماء ساخن.



- ◀ أغلق صمام الإيقاف في الحلمة المزدوجة أو في وصلة الماء البارد.
- ◀ افتح جميع صمامات المأخذ.
- ◀ قم بحل وصلات الماء من الجهاز.
- ◀ احرص على تخزين الجهاز المخلوع بدون صقيع نظرًا لتبقى بعض الماء في الجهاز والذي يمكن أن يتجمد ويتسبب في حدوث أضرار.

### نظف المصفاة



في حالة الاتساخ نظف المصفاة الموجودة في وصلة الربط للماء البارد. أغلق صمام الإيقاف في وصلة الإمداد بالماء البارد، قبل أن تفك المصفاة، وتنظيفها وتعيد تركيبها.

## 11.2 إعادة التشغيل

قم بتفريغ الهواء من الجهاز ومن وصلة الماء البارد (انظر موضوع "إعدادات الضبط").  
انظر فصل "التشغيل الأولي".

## 12. التعطيل

- ◀ إفضل الجهاز بجميع الأقطاب من وصلة الشبكة.
- ◀ قم بتفريغ الجهاز (انظر موضوع "الصيانة").

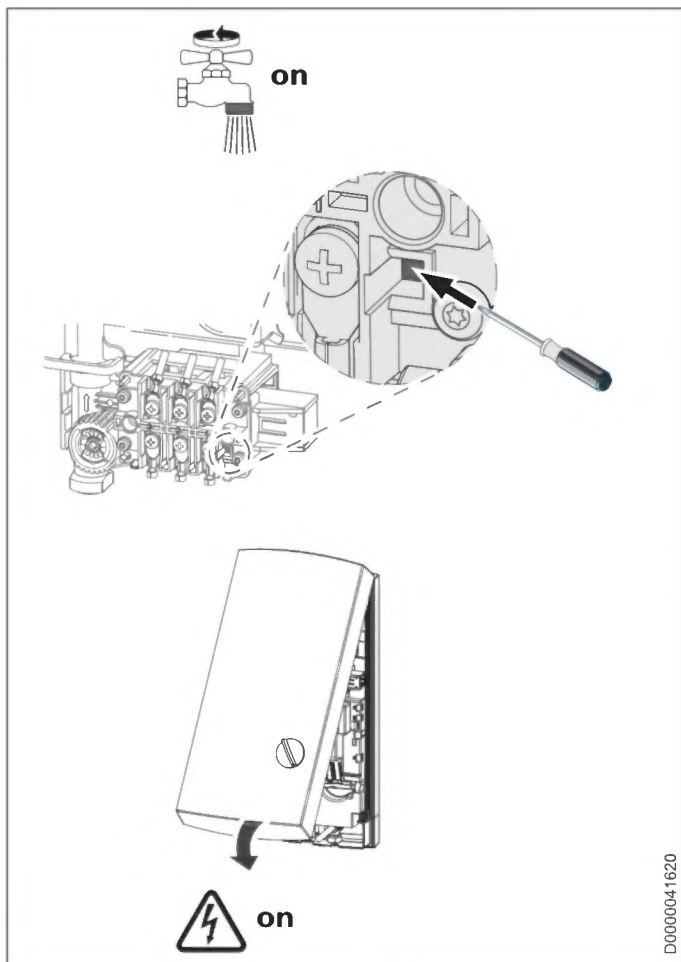
## 13. إصلاح الأعطال

العلل	السبب	كيفية التغلب عليه
الدفق قليل أكثر من اللازم.	المصفاة في الجهاز متسخة.	نظف المصفاة.
محدد كمية الدفق لا يعمل رغم أن الصنوبر مفتوح عن آخره	لم يتم الوصول لكمية التشغيل اللازمة لتشغيل قدرة التسخين.	نظف المصفاة.
الجهاز لا ينتج ماء ساخنًا بالرغم من ضجيج التشغيل المسموع لمفتاح الضغط الفرقي.	محدد ضغط الأمان (AP 3) أوقف الجهاز لأسباب تتعلق بالسلامة.	أزل سبب الخطأ (مثلًا صمام شطف تالف).
نظام التسخين به عطل.	نظام التسخين به عطل.	قم بحماية نظام التسخين ضد السخونة المفرطة، من خلال فتح صمام سحب من الجهاز لمدة دقيقة واحدة. من خلال ذلك يتم تفريغ ضغط نظام التسخين وتبريده. فعل محدد ضغط الأمان لضغط الدفق، من خلال ضغط زر إعادة الضبط بإحكام (انظر موضوع "التشغيل لأول مرة"). قم بقياس مقاومة نظام التسخين، وإذا استلزم الأمر استبدل المقاومة.

## 11. التشغيل

تحذير الصعق بالكهرباء ⚡  
لا يجوز القيام بالتشغيل الأولي إلا على يد فني مختص مع مراعاة لوائح الأمان.

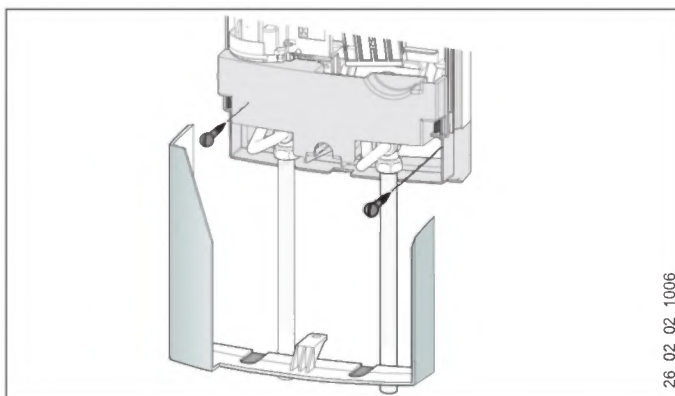
### 11.1 التشغيل الأولي



- ◀ افتح وأغلق جميع صمامات المأخذ الموصلة عدة مرات إلى أن تخلو شبكة التوصيلات والجهاز من الهواء.
- ◀ تحقق من عدم وجود أي مواضع تسريب.
- ◀ فقل محدد ضغط الأمان من خلال ضغط زر إعادة الضبط للداخل بإحكام (يتم توريد الجهاز بينما محدد ضغط الأمان غير مفعل).
- ◀ ركب غطاء الجهاز، إلى أن يثبت بصوت مسوع. تأكد من ثبات غطاء الجهاز.
- ◀ قم بتشغيل جهد الشبكة الكهربائية.
- ◀ تأكد من عمل الجهاز بشكل سليم.

#### تسليم الجهاز لمستهلك آخر

- ◀ اشرح للمستخدم طريقة عمل الجهاز وقم بتعريفه بكيفية استخدامه.
- ◀ نبّه المستخدم للأخطار المحتملة، ولاسيما خطر الاكتواء.
- ◀ قم بتسليمه هذا الدليل.

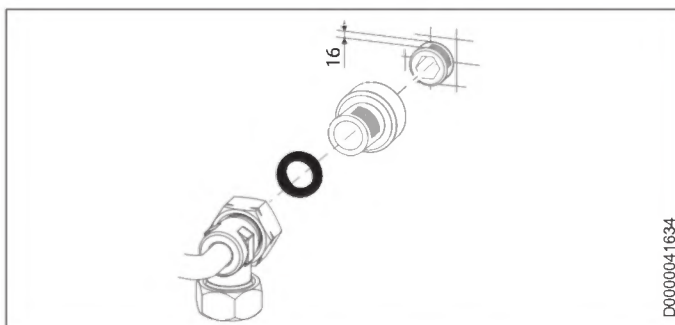


- ◀ تثبت الجزء السفلي للجدار الخلفي بالجزء العلوي للجدار الخلفي.
- ◀ اربط أنابيب التوصيل بالجهاز.
- ◀ تثبت الجدار الخلفي من أسفل ببرغيين إضافيين.
- ◀ قم بقطع المجاري في غطاء الجهاز بشكل سليم. ابرد الحواف الحادة عند اللزوم باستخدام مبرد.
- ◀ حرّك الجزء السفلي للجدار الخلفي أسفل أنابيب توصيل الصنوبر وثبت الجزء السفلي للجدار الخلفي.
- ◀ اربط أنابيب التوصيل بالجهاز.

### 10.2.5 تركيبات الماء الخفية عند استبدال الجهاز

في حالة بروز الحلمة المزدوجة الموجودة بالجهاز القديم بمقدار 16 مم تقريبًا فقط عن الجدار، فلن يمكنك استخدام الحلمة المزدوجة المرفقة.

ملحوظة ⓘ  
مع هذه الوصلة يمكن إيقاف مدخل الماء البارد فقط في التركيبات المنزلية.



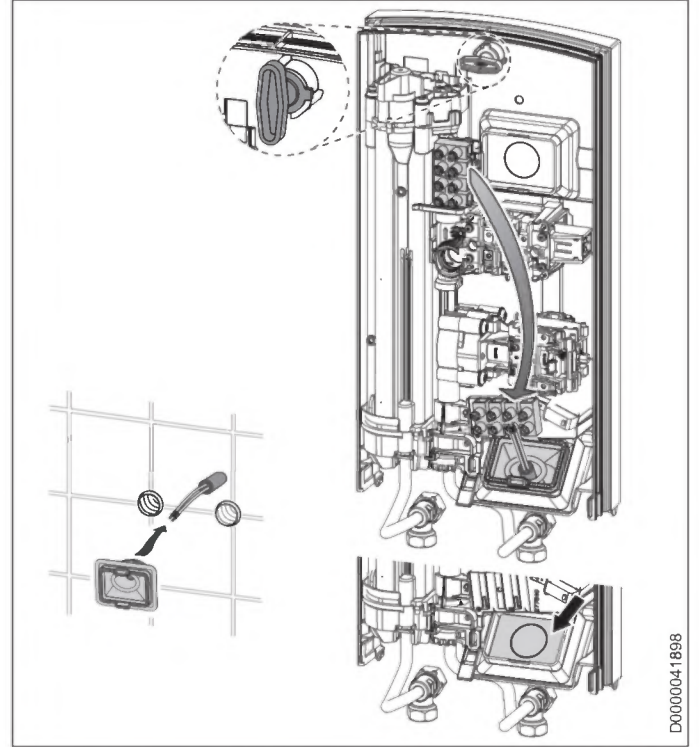
- ◀ أحكم واربط وصلات إطالة الصنوبر المرفقة.
- ◀ وصل الجهاز.

### 10.3 إتمام التركيب

- ◀ افتح صمام الإيقاف في الحلمة المزدوجة أو في وصلة الماء البارد.

## 10.2 إمكانيات التركيب

### 10.2.1 الوصلة الكهربائية الخفية بأسفل



D0000041898

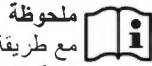
◀ ركب جلبة الكابل.

#### ! الأضرار المادية

إذا قمت بعمل ثقب خاطئ سهواً في الجدار الخلفي، فيجب استخدام جدار خلفي جديد.

- ◀ اكسر مواضع الكسر المحددة لجلبة الكابل في الجدار الخلفي. ابرد الحواف الحادة عند اللزوم باستخدام مبرد.
- ◀ حرّك طرف توصيل الشبكة بالجهاز من أعلى إلى أسفل.
- ◀ ضع الجدار الخلفي فوق الخابور اللولبي وجلبة الكابل. اسحب جلبة الكابل بواسطة كمانشة من خطافات التثبيت في الجدار الخلفي، إلى أن يثبت كلا خطافي التثبيت بصوت مسموع.
- ◀ اضغط الجدار الخلفي بإحكام وقم بتأمين عروة التثبيت من خلال التوزيع جهة اليمين بمقدار 90°.

### 10.2.2 الوصلة الكهربائية المكشوفة



ملحوظة  
مع طريقة التوصيل هذه يتغير نوع الحماية بالجهاز.  
◀ قم بتغيير لوحة البيانات. اشطب البيان IP 25 وحدد المربع IP 24. لا تستخدم قلم حبر في الكتابة.

#### ! الأضرار المادية

إذا قمت بعمل ثقب خاطئ سهواً في الجدار الخلفي، فيجب استخدام جدار خلفي جديد.

- ◀ قم بقص أو قطع المجرى اللازم في الجدار الخلفي بشكل سليم، (لمعرفة المواضيع انظر موضوع "المواصفات الفنية/المقاييس والتوصيلات"). ابرد الحواف الحادة عند اللزوم باستخدام مبرد.
- ◀ مرر كابل التوصيل الكهربائي عبر جلبة الكابل ووصله بطرف التوصيل الكهربائي.

### 10.2.3 توصيل مرحل فصل الحمل

ركب مرحل فصل حمل في حالة الاشتراك مع أجهزة كهربائية أخرى، مثل سخانات كهربائية بخزان، في التوزيع الكهربائي. يتم فصل الحمل عند تشغيل السخان الفوري.

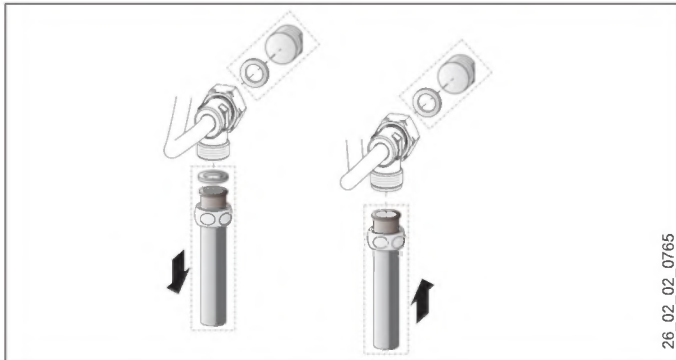
#### ! الأضرار المادية

وصل الطور الذي يقوم بتشغيل مرحل فصل الحمل بالطرف المميز لطرف التوصيل بالشبكة في الجهاز (انظر فصل "المواصفات الفنية/مخطط التوصيل الكهربائي").

### 10.2.4 تركيبات الماء المكشوفة



ملحوظة  
مع طريقة التوصيل هذه يتغير نوع الحماية بالجهاز.  
◀ قم بتغيير لوحة البيانات. اشطب البيان IP 25 وحدد المربع IP 24. لا تستخدم قلم حبر في الكتابة.



26\_02\_02\_0765

- ◀ ركب فوهة الماء مع عناصر الإحكام، لإتمام التوصيل الخفي.
- ◀ ركب صنوبر ضغط مناسب.

تحذير الصعق بالكهرباء ⚡  
يجب القيام بجميع التوصيلات والتركيبات الكهربائية وفقاً للتعليمات.

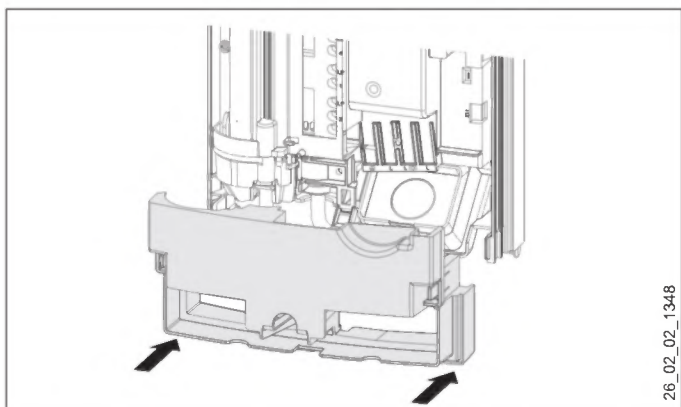
تحذير الصعق بالكهرباء ⚡  
يُسمح فقط بالتوصيل بشبكة تيار كتوصيل ثابت بالارتباط مع جلبة الكابل القابلة للخلع. كما يجب أن تتوفر إمكانية فصل الجهاز عن وصلة الشبكة الكهربائية عن طريق مسافة عزل لا تقل عن 3 مم بجميع الأقطاب.

تحذير الصعق بالكهرباء ⚡  
تأكد من توصيل الجهاز بوصلة الأرضي.

الأضرار المادية !  
انتبه للبيانات المدونة على لوحة البيانات. يجب أن يتوافق جهد التيار المذكور مع جهد التيار الرئيسي.

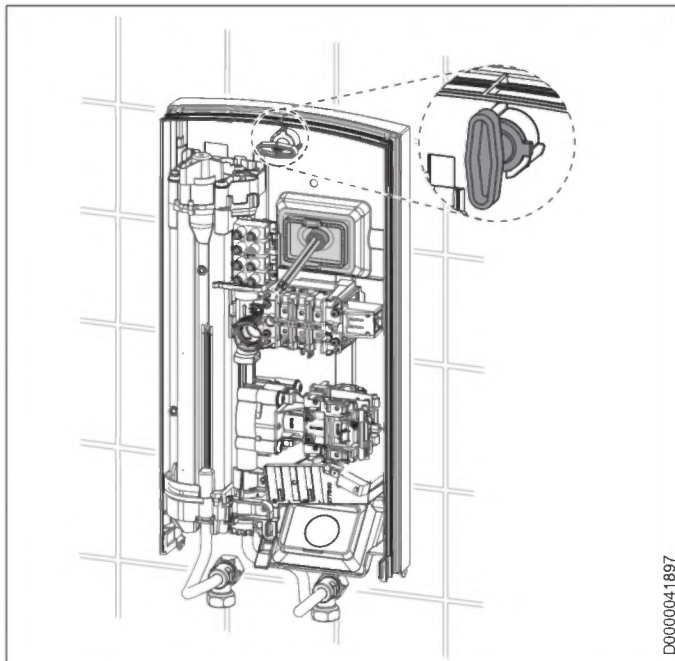
◀ وصل كابل التوصيل الكهربائي بطرف التوصيل بالشبكة (انظر موضوع "المواصفات الفنية/مخطط التوصيل الكهربائي").

#### تركيب الجزء السفلي للجدار الخلفي

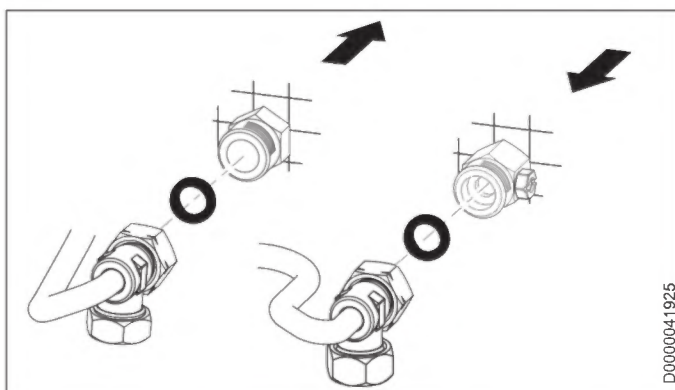


◀ ركب الجزء السفلي للجدار الخلفي في الجدار الخلفي وثبت الجزء السفلي للجدار الخلفي.

◀ وجه الجهاز المركب بحيث تحل مقبض التثبيت وتوجه وصلة الكهرباء والجدار الخلفي وتحكم تثبيت مقبض التثبيت. في حالة عدم استناد الجدار الخلفي، يمكن تثبيت الجهاز من أسفل باستخدام برغينين.



◀ ضع الجدار الخلفي فوق الخابور اللولبي وجلبة الكابل. اسحب جلبة الكابل بواسطة كمامة من خطافات التثبيت في الجدار الخلفي، إلى أن يثبت كلا خطافي التثبيت بصوت مسموع.  
◀ أزل سدادات الحماية عند النقل من وصلات الماء.  
◀ اضغط الجدار الخلفي بإحكام وقم بتأمين عروة التثبيت من خلال التدوير جهة اليمين بمقدار 90°.



◀ اربط أنابيب توصيل الماء باستخدام عناصر الإحكام المقطحة على الحلمة المزدوجة.

الأضرار المادية !  
لضمان وظيفة الجهاز يجب تركيب المصفاة.  
◀ عند استبدال الجهاز تأكد من تواجد المصفاة (انظر موضوع "الصيانة").

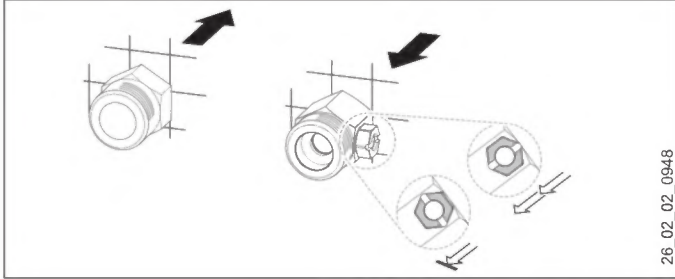
إنشاء وصلة الماء

تركيب حامل الحائط

الاضرار المادية



قم بتنفيذ جميع اجراءات توصيلات الماء والتركيب طبقاً للتعليمات.



◀ احكم حلمات المزوجة وقم بربطها جيداً.

الاضرار المادية



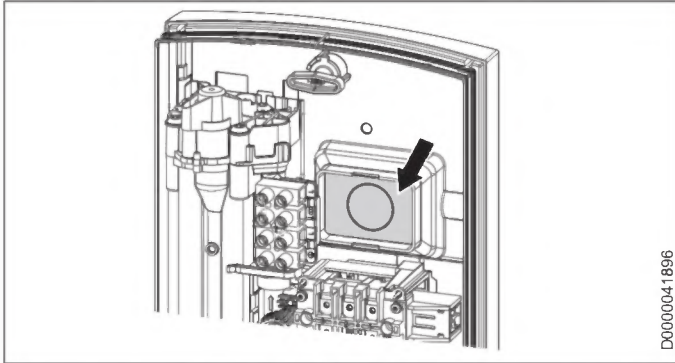
لا يجوز استخدام صمام الإيقاف في مدخل الماء البارد لتخفيض التدفق.

تحضير الجدار الخلفي

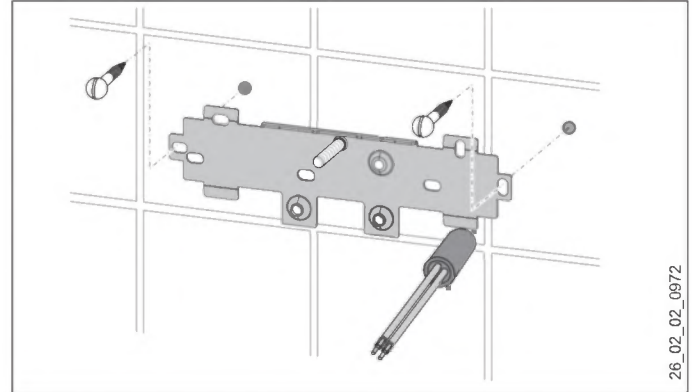
الاضرار المادية



إذا قمت بعمل ثقب خاطئ سهواً في الجدار الخلفي، فيجب استخدام جدار خلفي جديد.



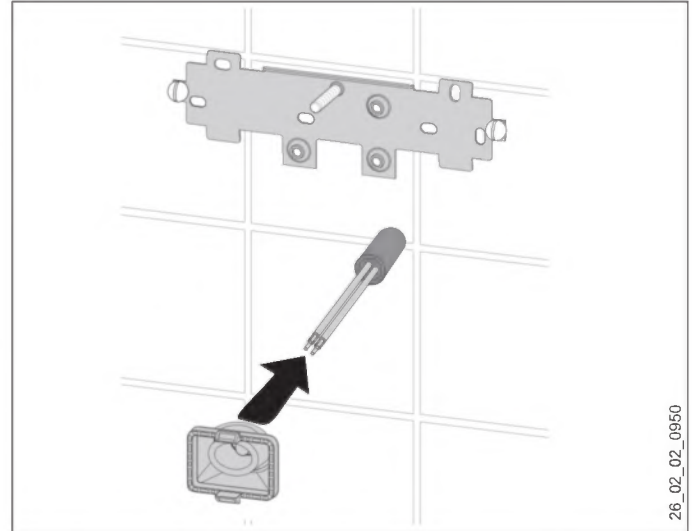
◀ اكسر مواضع الكسر المحددة لجلبه الكابل في الجدار الخلفي. ابرد الحواف الحادة عند اللزوم باستخدام مبرد.



◀ حدد الثقوب باستخدام نموذج التركيب. في حالة التركيب مع وصلات الماء المكشوفة يجب بشكل إضافي تحديد ثقوب التثبيت بالجزء السفلي من نموذج التركيب.

- ◀ قم بعمل الثقوب وتثبيت حامل الجدار ببرغيين وخابورين (براغي وخوابير ضمن التجهيزات الموردة).
- ◀ ركب الخابور اللولبي المرفق.
- ◀ ركب حامل الجدار.

تركيب جلبه الكابل



◀ ركب جلبه الكابل. مع كابل توصيل < 6 مم<sup>2</sup> يجب تكبير الثقب في جلبه الكابل.

## 10. التركيب

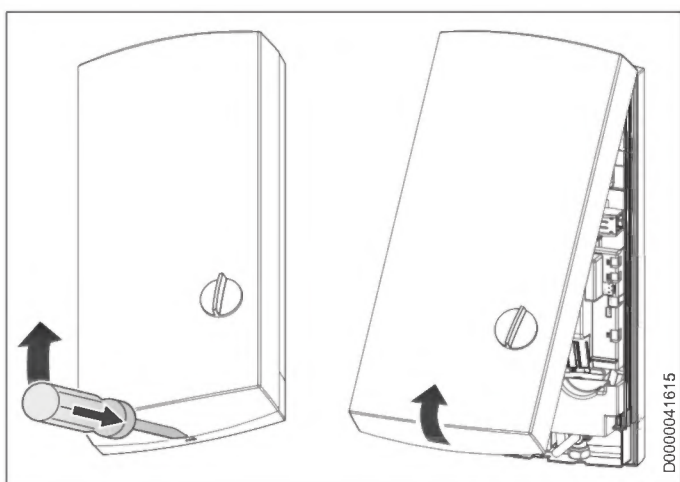
### 10.1 التركيب القياسي

- التوصيل الكهربائي بأعلى، التثبيت الخفي
- وصلة ماء التثبيت الخفي

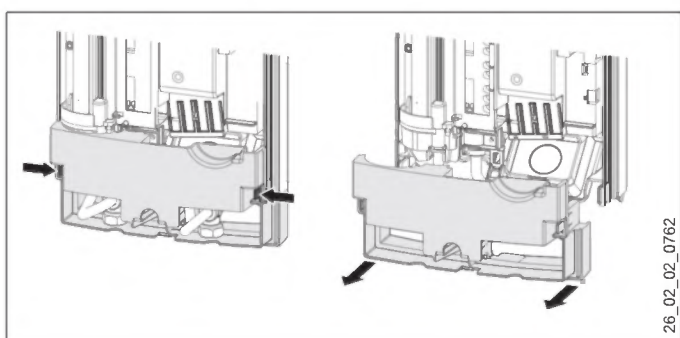
لمعرفة إمكانيات التركيب الأخرى انظر موضوع "إمكانيات التركيب":

- الوصلة الكهربائية الخفية بأسفل
- الوصلة الكهربائية المكشوفة
- توصيل مرحل فصل الحمل
- تركيبات الماء المكشوفة
- وصلة الماء الخفية عند استبدال الجهاز

### فتح الجهاز

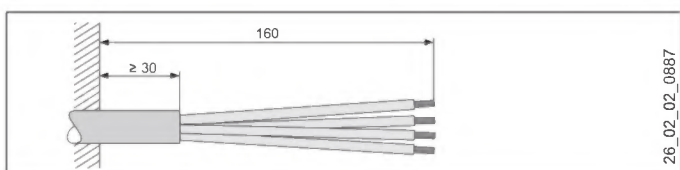


فتح الجهاز، من خلال تحرير قفل سدادة التأمين.



افصل الجدار الخلفي، من خلال ضغط خطافي التثبيت وسحب الجزء السفلي بالجدار الخلفي للأمام.

### تحضير كابلات التوصيل الكهربائية



## 9.2 تركيبات الماء

- لا يُسمح بالتشغيل بالماء مسبق التسخين.

- لا يلزم استخدام صمام أمان.

- لا يُسمح بصمامات الأمان لوصلة الماء الساخن.

اشطف وصلة الماء جيداً.

تأكد من الوصول إلى كمية التيار (انظر موضوع "المواصفات الفنية/جدول البيانات"، تشغيل) لتشغيل الجهاز. ارفع ضغط وصلة الماء، في حالة عدم الوصول إلى كمية التيار اللازمة مع فتح صمام السحب بالكامل.

### الصنابير

استخدم صنابير ضغط مناسبة. لا يُسمح بالصنابير المكشوفة.

صنابير الضغط المزودة بثرموستات يجب أن تكون مناسبة للسخانات الفورية ذات التحكم الهيدروليكي.

### ملحوظة

لا يجوز استخدام صمام الإيقاف في مدخل الماء البارد لتخفيض التدفق. وهو يُستخدم لإيقاف الجهاز.

### مواد التشغيل ووصلات الماء المسموح بها

- وصلة إمداد الماء البارد:  
أنبوب صلب مجلفن بالسخونة، أو أنبوب فولاذي أو أنبوب نحاسي أو أنبوب بلاستيكي
- وصلة مخرج الماء الساخن:  
أنبوب فولاذي أو أنبوب نحاسي أو أنبوب بلاستيكي

### الأضرار المادية

عند استخدام أنظمة الأنابيب البلاستيكية انتبه إلى درجة حرارة الإمداد القصوى والضغط الأقصى المسموح به (انظر موضوع "المواصفات الفنية/جدول البيانات").

### وصلات توصيل الماء المرنة

- تجنب التواء كوع الأنابيب مع الوصلات المسمارية في الجهاز خلال التركيب باستخدام وصلات توصيل الماء المرنة.
- تثبيت الجدار الخلفي من أسفل ببرغين إضافيين.

## التركيب

### 7. السلامة

لا يجوز تثبيت الجهاز أو تشغيله أو صيانته أو إصلاحه إلا بواسطة فني مختص.

#### 7.1 إرشادات السلامة العامة

نحن نضمن الكفاءة الوظيفية للجهاز والحصول على تشغيل بلا مشاكل بشرط تركيب الملحقات وقطع الغيار الأصلية الخاصة بالجهاز دون غيرها.

#### الأضرار المادية

تُراعى درجة الحرارة القصوى للماء الداخل. وفي حالة وجود ماء بدرجات حرارة أعلى، فمن الممكن أن يتلف الجهاز. مع تركيب الصنوبر المركزي بترموستات يمكنك تحديد درجة حرارة الماء الداخل القصوى.

#### 7.2 اللوائح والمعايير والتشريعات

#### ملحوظة

انتبه لجميع التعليمات والتشريعات المحلية والإقليمية.

- نوع الحماية IP 25 (حماية ضد الماء المتناثر) مضمون فقط من خلال التركيب السليم لجلب الكابل.
- يجب ألا تقل المقاومة الكهربائية المحددة للماء عما هو مذكور على لوحة البيانات. في حالة وجود شبكة مائية مجمعة يتم الاعتبار بأدنى مقاومة كهربائية للماء (انظر موضوع "المواصفات الفنية/مجالات الاستخدام/جدول التحويل"). يمكنك معرفة المقاومة الكهربائية المحددة للماء أو قابلية التوصيل الكهربائية له من خلال شركة الماء.

### 8. وصف الجهاز

#### 8.1 حجم التسليم

يتم توريد ما يلي مع الجهاز:

- حامل الحائط
- خابور لولبي لحامل الجدار
- نموذج التركيب
- 2 حلمة مزدوجة (ماء بارد مع صمام إيقاف)
- عناصر إحكام مفلطحة
- جلبة الكابل (وصلة كهربائية لأعلى/أسفل)
- براغي/خوابيز لحامل الجدار الخلفي مع وصلة الماء المكشوفة لاستبدال الجهاز:
- 2 وصلة إطالة للصنوبر

### 9. التحضيرات

#### 9.1 موضع التركيب

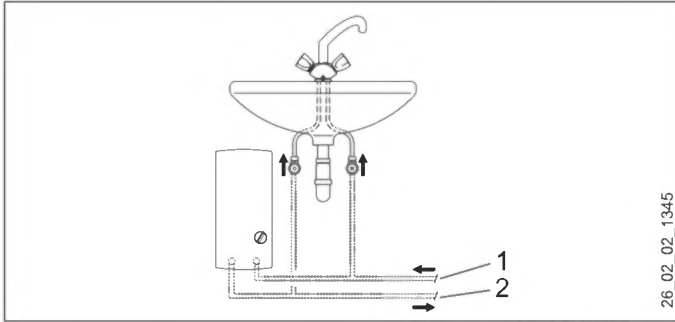
#### الأضرار المادية

يجب ألا يتم تركيب الجهاز إلا في مكان خال من الصقيع.

◀ قم بتثبيت الجهاز بشكل عمودي بالقرب من المأخذ.

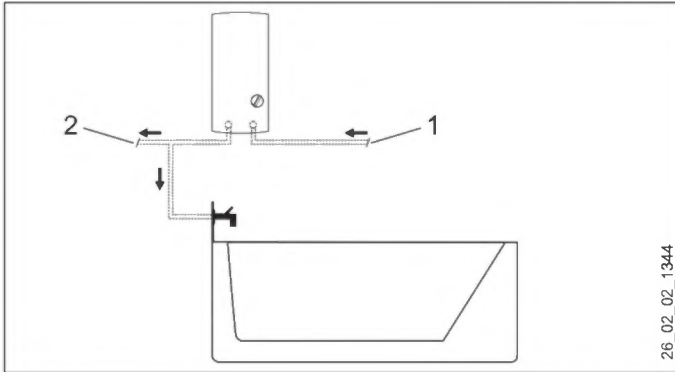
الجهاز ملائم للتركيب على الأرضية أو للتعليق.

التركيب على الأرضية



- 1 مدخل الماء البارد
- 2 مخرج الماء الساخن

التركيب العلوي



- 1 مدخل الماء البارد
- 2 مخرج الماء الساخن

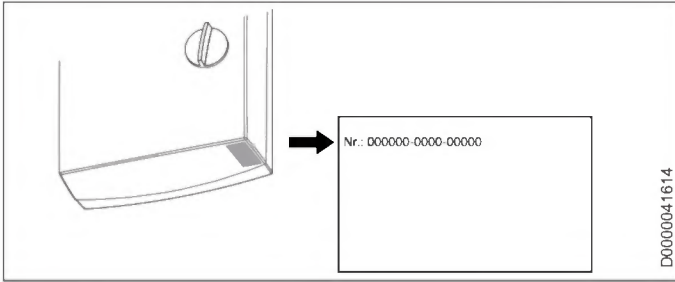
#### ملحوظة

◀ قم بتثبيت الجهاز على الحائط. يجب أن يتميز الحائط بقوة كافية لحمل الجهاز.

## 6. حل المشاكل

المشكلة	السبب	كيفية التغلب عليه
الجهاز لا يعمل رغم أن صمام الماء الساخن مفتوح عن آخره.	لا يوجد جهد كهربائي في الجهاز.	افحص مصاهر التركيبات المنزلية.
	كمية التدفق منخفضة للغاية، لدرجة عدم تشغيل قدرة التدفئة. فوهة التدفق في الصنبور.	نظف و/أو أزل الجير من الفوهة.

إذا تعذر عليك إصلاح سبب العطل، فاتصل بفني متخصص. للحصول على مساعدة متميزة وسريعة أبلغهم برقم ملصق الطراز وهو (00000-0000-000000):



## 4.1 توصية الضبط للصنابير

## ملحوظة

إذا لم يتم الوصول إلى درجة حرارة كافية للماء الخارج بينما صمام السحب مفتوح بأكمله ومع القدرة القصوى لدرجة الحرارة، يتدفق من الجهاز مقدار ماء، أكبر من استطاعة نظام التسخين على التسخين (الجهاز على أقصى قدرة).  
◀ قلل كمية الماء بصمام السحب.

كمية سحب قليلة = درجة حرارة عالية للماء الخارج

كمية سحب كبيرة = درجة حرارة منخفضة للماء الخارج

## صنبور ثنائي المقابض

درجة القدرة	مجال الاستخدام
القدرة الجزئية	طاولة غسل
القدرة الكاملة	حوض استحمام، حوض غسل صحون

◀ اخلط ماءً بارداً في حالة درجة الحرارة المرتفعة للغاية ومع الفتح الكامل للصنبور.

## خلط أحادي اليد

درجة القدرة	مجال الاستخدام
القدرة الكاملة	الكل

◀ أدر ذراع الصنبور على أعلى درجة حرارة.

◀ افتح الصنبور بالكامل.

◀ ارفع درجة حرارة الماء الخارج، من خلال غلق الصنبور ببطء.

◀ قلل درجة حرارة الماء الخارج، من خلال خلط ماء بارد أو مواصلة فتح الصنبور، إن أمكن.

## بعد قطع التغذية المائية

## الأضرار المادية

- بعد قطع التغذية المائية يجب إعادة تشغيل الجهاز بالخطوات التالية، حتى لا يتلف نظام التسخين بالسلك العاري.
- ◀ أفصل الجهاز عن التيار، من خلال إيقاف المصاهر.
  - ◀ افتح الصنبور لمدة دقيقة، إلى أن يتم تفريغ الجهاز ووصلة الماء البارد المشغلة مسبقاً.
  - ◀ قم بتوصيل الجهد الكهربائي للشبكة مرة أخرى.

## 5. التنظيف والعناية والصيانة

◀ لا تستخدم محاليل تنظيف أو وسائل تنظيف حادة. للعناية بالجهاز وتنظيفه يكفي استخدام قطعة قماش مبللة.

◀ راقب حالة الصنابير بصفة دورية. ويمكنك إزالة الجير الموجود عند مخارج الصنابير بوسائل إزالة الجير المتداولة.

## 2. السلامة

### 2.1 الاستخدام السليم للجهاز

الجهاز مخصص للاستخدام في البيئة المنزلية. ويمكن استعماله بشكل آمن من قبل الأشخاص غير المدربين. في البيئة غير المنزلية، مثلًا في المنشآت الصغيرة، يمكن أيضًا استخدام الجهاز، طالما يتم الاستخدام بنفس الطريقة.

جهاز الضغط مصمم لتسخين ماء الشرب. يمكن أن يمد الجهاز مأخذ واحد أو عدة مأخذ للمياه.

ويعد أي استخدام خارج النطاق الموضح استخدامًا مخالفًا. ويعتبر أيضًا من الاستخدام المطابق للتعليمات مراعاة ما ورد في هذا الدليل وكذلك أدلة الكماليات المستخدمة.

#### ملحوظة



هذا الجهاز غير مخصص لإعادة تسخين المياه التي تم تسخينها بالفعل في وقت سابق.

### 2.2 إرشادات السلامة العامة

#### تنبيه الحروق



أثناء التشغيل قد تزيد درجة حرارة الصنبور على 60°م. مع درجات حرارة ماء خارج تزيد على 43°م ينطوي الأمر على خطر الإصابة باكتنوءات.

#### تحذير الإصابة



يمكن استخدام الجهاز من قبل الأطفال بدءًا من عمر 3 سنوات وكذلك الأشخاص ذوي القدرات البدنية أو الحسية أو العقلية المحدودة أو الذين لديهم نقص في الخبرة والمعرفة، في حالة الإشراف عليهم أو إرشادهم بكيفية الاستخدام الآمن للجهاز واستيعابهم للمخاطر الناشئة عن ذلك. لا يجوز السماح للأطفال باللعب بالجهاز. لا يجوز قيام المستخدم بالسماح بتنظيف وصيانة الجهاز من قبل الأطفال دون مراقبة.

#### الأضرار المادية



يجب حماية الجهاز والصنبور من التجمد من قبل المستخدم.

### 2.3 علامات التوافق

انظر لوحة البيانات في الجهاز.

## 3. وصف الجهاز

يقوم السخان الفوري ذو التحكم الهيدروليكي بتسخين الماء خلال تدفقه عبر الجهاز. في حالة فتح صنبور وتجاوز كمية التشغيل (انظر موضوع "المواصفات الفنية/ جدول البيانات")، تعمل قدرة التسخين أوتوماتيكيًا. يمكن ضبط كمية الماء الساخن ودرجة الحرارة بالصنبور.

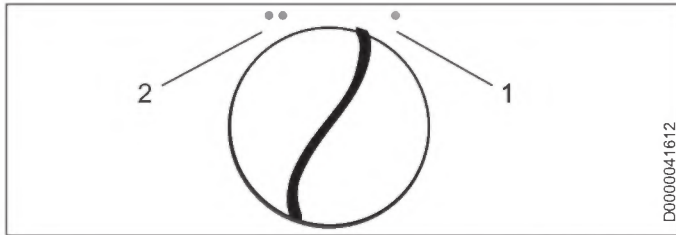
يمكنك الاختيار من بين درجتين قدرة. علاوة على ذلك يتم التحكم هيدروليكيًا في درجتين قدرة بالارتباط مع كمية الدفق.

يعادل التحكم في كمية الدفق تقلبات الضغط ويساعد في الحفاظ على ثبات درجة الحرارة إلى حد كبير. يحدد التحكم كمية الدفق ويضمن دائمًا ارتفاع درجة حرارة ماء الشرب بقدرة كافٍ.

#### نظام التسخين

نظام التسخين بالسلك العاري يشتمل على غلاف بلاستيكي محكم الضغط. نظام التسخين مناسب للماء بدون جيزر أو المحتوي على جيزر، وهو لا يتأثر بالجيزر إلى حد كبير. حيث يتولى نظام التسخين مهمة تحضير الماء الساخن بسرعة وكفاءة.

## 4. أوضاع الضبط



D0000041812

- 1 القدرة الجزئية  
مع كمية الدفق المنخفضة يتم تشغيل 3/1 قدرة التدفئة، ومع كمية الدفق الأكبر يتم تشغيل 3/2 قدرة التدفئة. هذا الإعداد مناسب لغسل اليدين مثلًا.
  - 2 القدرة الكاملة  
مع كمية الدفق القليلة يتم تشغيل نصف قدرة التسخين، ومع كمية الدفق الأكبر يتم تشغيل قدرة التسخين الكاملة. هذا الإعداد مناسب للشطف مثلًا.
- ◀ اضبط مفتاح اختيار القدرة على الوضع المرغوب.

توصية الضبط عند استخدام صنبور بثرموستات  
◀ اضبط مفتاح اختيار القدرة على الحمل الكامل.

## الاستعمال

### 1. إرشادات عامة

الفصلان "إرشادات خاصة" و"الاستعمال" موجّهان لمستخدم الجهاز والفني المختص. فصل "التركيب" موجّه للفني المختص.

#### ملحوظة

اقرأ هذا الدليل بعناية قبل بدء الاستخدام واحتفظ به. قم بتسليم الدليل للمستخدم الجديد في حالة بيع الجهاز.

### 1.1 إرشادات السلامة

#### 1.1.1 تقسيم إرشادات السلامة

الكلمة الرئيسية نوع الخطر  
تجد هنا العواقب المحتملة لتجاهل إرشادات السلامة.  
تجد هنا إجراءات لكيفية درء الأخطار.



#### 1.1.2 الرموز، نوع الخطر

الرمز	نوع الخطر
	إصابة
	صعق بالكهرباء
	حروق (حروق، اكتواءات)

#### 1.1.3 الكلمات المفتاحية

الكلمة المفتاحية	الوصف
خطر	إرشادات يؤدي تجاهلها لوقوع إصابات خطيرة أو للوفاة.
تحذير	إرشادات يمكن أن يؤدي تجاهلها لوقوع إصابات خطيرة أو للوفاة.
تنبيه	إرشادات يمكن أن يؤدي تجاهلها لإصابات متوسطة أو خفيفة.

### 1.2 العلامات الأخرى في هذا الدليل

#### ملحوظة

الإرشادات العامة يتم تمييزها بالرمز المجاور. اقرأ نصوص الإرشادات بعناية.



#### الوصف

أضرار مادية  
أضرار مادية (أضرار في الجهاز، أضرار مرتتبة، أضرار بيئية)

التخلص من الجهاز

يشير هذا الرمز إلى أنه يتوجب عليك اتخاذ إجراء ما. ويتم شرح الإجراء المطلوب منك القيام به بخطوة بخطوة.

### 1.3 وحدات القياس

#### ملحوظة

مالم يُذكر غير ذلك يتم احتساب المقاييس بالمليمتر.



## إرشادات خاصة

إرشادات خاصة

الاستعمال

1	إرشادات عامة	3
1.1	إرشادات السلامة	3
1.2	العلامات الأخرى في هذا الدليل	3
1.3	وحدات القياس	3
2	السلامة	4
2.1	الاستخدام السليم للجهاز	4
2.2	إرشادات السلامة العامة	4
2.3	علامات التوافق	4
3	وصف الجهاز	4
4	أوضاع الضبط	4
4.1	توصية الضبط للصنابير	5
5	التنظيف والعناية والصيانة	5
6	حل المشاكل	5
	التركيب	
7	السلامة	6
7.1	إرشادات السلامة العامة	6
7.2	اللوائح والمعايير والتشريعات	6
8	وصف الجهاز	6
8.1	حجم التسليم	6
9	التحضيرات	6
9.1	موضع التركيب	6
9.2	تركيبات الماء	7
10	التركيب	7
10.1	التركيب القياسي	7
10.2	إمكانات التركيب	10
10.3	إتمام التركيب	11
11	التشغيل	11
11.1	التشغيل الأولي	11
11.2	إعادة التشغيل	12
12	التعطيل	12
13	إصلاح الأعطال	12
14	الصيانة	12
15	المواصفات الفنية	13
15.1	المقاييس والتوصيلات	13
15.2	مخطط التوصيل الكهربائي	13
15.3	كمية الماء الساخن	14
15.4	مجالات الاستخدام/جدول التحويل	14
15.5	فقدان الضغط	14
15.6	عواقب الأعطال	14
15.7	بيانات استهلاك الطاقة	15
15.8	جدول البيانات	15

الضمان

البيئة وإعادة التدوير

## Deutschland

STIEBEL ELTRON GmbH & Co. KG  
Dr.-Stiebel-Straße 33 | 37603 Holzminden  
Tel. 05531 702-0 | Fax 05531 702-480  
info@stiebel-eltron.de  
www.stiebel-eltron.de

## Verkauf

Tel. 05531 702-110 | Fax 05531 702-95108 | info-center@stiebel-eltron.de

## Kundendienst

Tel. 05531 702-111 | Fax 05531 702-95890 | kundendienst@stiebel-eltron.de

## Ersatzteilverkauf

www.stiebel-eltron.de/ersatzteile | ersatzteile@stiebel-eltron.de

## Australia

STIEBEL ELTRON Australia Pty. Ltd.  
294 Salmon Street | Port Melbourne VIC 3207  
Tel. 03 9645-1833 | Fax 03 9644-5091  
info@stiebel-eltron.com.au  
www.stiebel-eltron.com.au

## Austria

STIEBEL ELTRON Ges.m.b.H.  
Gewerbegebiet Neubau-Nord  
Margaritenstraße 4 A | 4063 Hörsching  
Tel. 07221 74600-0 | Fax 07221 74600-42  
info@stiebel-eltron.at  
www.stiebel-eltron.at

## Belgium

STIEBEL ELTRON bvba/sprl  
't Hofveld 6 - D1 | 1702 Groot-Bijgaarden  
Tel. 02 42322-22 | Fax 02 42322-12  
info@stiebel-eltron.be  
www.stiebel-eltron.be

## China

STIEBEL ELTRON (Tianjin) Electric Appliance  
Co., Ltd.  
Plant C3, XEDA International Industry City  
Xi Qing Economic Development Area  
300385 Tianjin  
Tel. 022 8396 2077 | Fax 022 8396 2075  
info@stiebel-eltron.cn  
www.stiebel-eltron.cn

## Czech Republic

STIEBEL ELTRON spol. s r.o.  
Dopraváků 749/3 | 184 00 Praha 8  
Tel. 251116-111 | Fax 235512-122  
info@stiebel-eltron.cz  
www.stiebel-eltron.cz

## Finland

STIEBEL ELTRON OY  
Kapinakuja 1 | 04600 Mäntsälä  
Tel. 020 720-9988  
info@stiebel-eltron.fi  
www.stiebel-eltron.fi

## France

STIEBEL ELTRON SAS  
7-9, rue des Selliers  
B.P 85107 | 57073 Metz-Cédex 3  
Tel. 0387 7438-88 | Fax 0387 7468-26  
info@stiebel-eltron.fr  
www.stiebel-eltron.fr

## Hungary

STIEBEL ELTRON Kft.  
Gyár u. 2 | 2040 Budaörs  
Tel. 01 250-6055 | Fax 01 368-8097  
info@stiebel-eltron.hu  
www.stiebel-eltron.hu

## Japan

NIHON STIEBEL Co. Ltd.  
Kowa Kawasaki Nishiguchi Building 8F  
66-2 Horikawa-Cho  
Saiwai-Ku | 212-0013 Kawasaki  
Tel. 044 540-3200 | Fax 044 540-3210  
info@nihonstiebel.co.jp  
www.nihonstiebel.co.jp

## Netherlands

STIEBEL ELTRON Nederland B.V.  
Daviottenweg 36 | 5222 BH 's-Hertogenbosch  
Tel. 073 623-0000 | Fax 073 623-1141  
info@stiebel-eltron.nl  
www.stiebel-eltron.nl

## New Zealand

Stiebel Eltron NZ Limited  
61 Barrys Point Road | Auckland 0622  
Tel. +64 9486 2221  
info@stiebel-eltron.co.nz  
www.stiebel-eltron.co.nz

## Poland

STIEBEL ELTRON Polska Sp. z O.O.  
ul. Działkowa 2 | 02-234 Warszawa  
Tel. 022 60920-30 | Fax 022 60920-29  
biuro@stiebel-eltron.pl  
www.stiebel-eltron.pl

## Russia

STIEBEL ELTRON LLC RUSSIA  
Urzhumskaya street 4,  
building 2 | 129343 Moscow  
Tel. +7 495 125 0 125  
info@stiebel-eltron.ru  
www.stiebel-eltron.ru

## Slovakia

STIEBEL ELTRON Slovakia, s.r.o.  
Hlavná 1 | 058 01 Poprad  
Tel. 052 7127-125 | Fax 052 7127-148  
info@stiebel-eltron.sk  
www.stiebel-eltron.sk

## South Africa

STIEBEL ELTRON Southern Africa (PTY) Ltd  
30 Archimedes Road  
Wendywood  
Johannesburg, 2090  
Tel. +27 10 001 85 47  
info@stiebel-eltron.co.za  
www.stiebel-eltron.co.za

## Switzerland

STIEBEL ELTRON AG  
Industrie West  
Gass 8 | 5242 Lupfig  
Tel. 056 4640-500 | Fax 056 4640-501  
info@stiebel-eltron.ch  
www.stiebel-eltron.ch

## Thailand

STIEBEL ELTRON Asia Ltd.  
469 Moo 2 Tambol Klong-Jik  
Amphur Bangpa-In | 13160 Ayutthaya  
Tel. 035 220088 | Fax 035 221185-88  
th-info@stiebel-eltron.com  
www.stiebel-eltron.co.th

## United Kingdom and Ireland

STIEBEL ELTRON UK Ltd.  
Unit 12 Stadium Court  
Stadium Road | CH62 3RP Bromborough  
Tel. 0151 346-2300 | Fax 0151 334-2913  
info@stiebel-eltron.co.uk  
www.stiebel-eltron.co.uk

## United States of America

STIEBEL ELTRON, Inc.  
17 West Street | 01088 West Hatfield MA  
Tel. 0413 247-3380 | Fax 0413 247-3369  
info@stiebel-eltron-usa.com  
www.stiebel-eltron-usa.com

**STIEBEL ELTRON**



Irrtum und technische Änderungen vorbehalten! | Subject to errors and technical changes! | Sous réserve d'erreurs et de modifications techniques! | Onder voorbehoud van vergissingen en technische wijzigingen! | Salvo error o modificación técnica! | Excepto erro ou alteração técnica | Zastrzeżone zmiany techniczne i ewentualne błędy | Omyly a technické změny jsou vyhrazeny! | A muszaki változtatások és tévedések jogát fenntartjuk! | Отсутствие ошибок не гарантируется. Возможны технические изменения. | Chyby a technické zmeny sú vyhradené! | Stand 9835